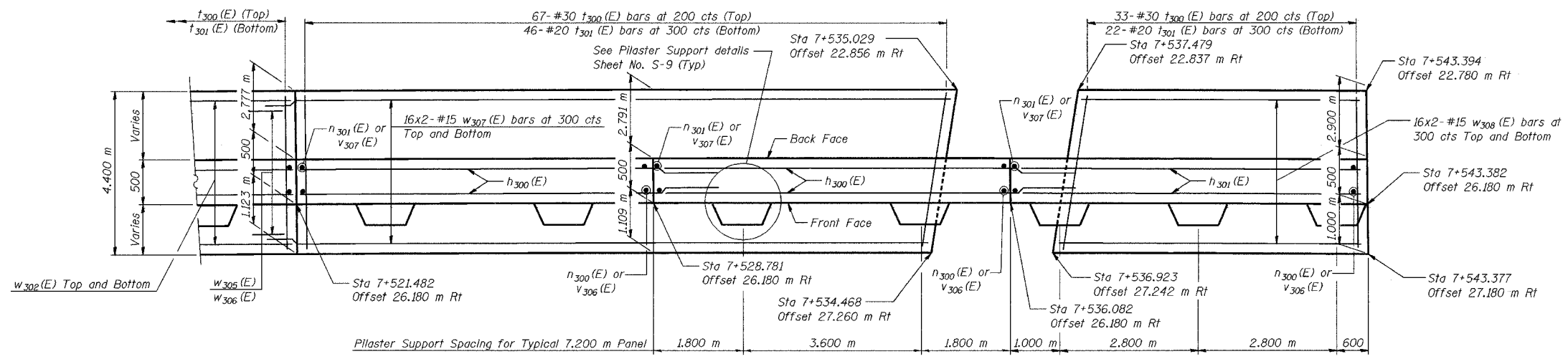
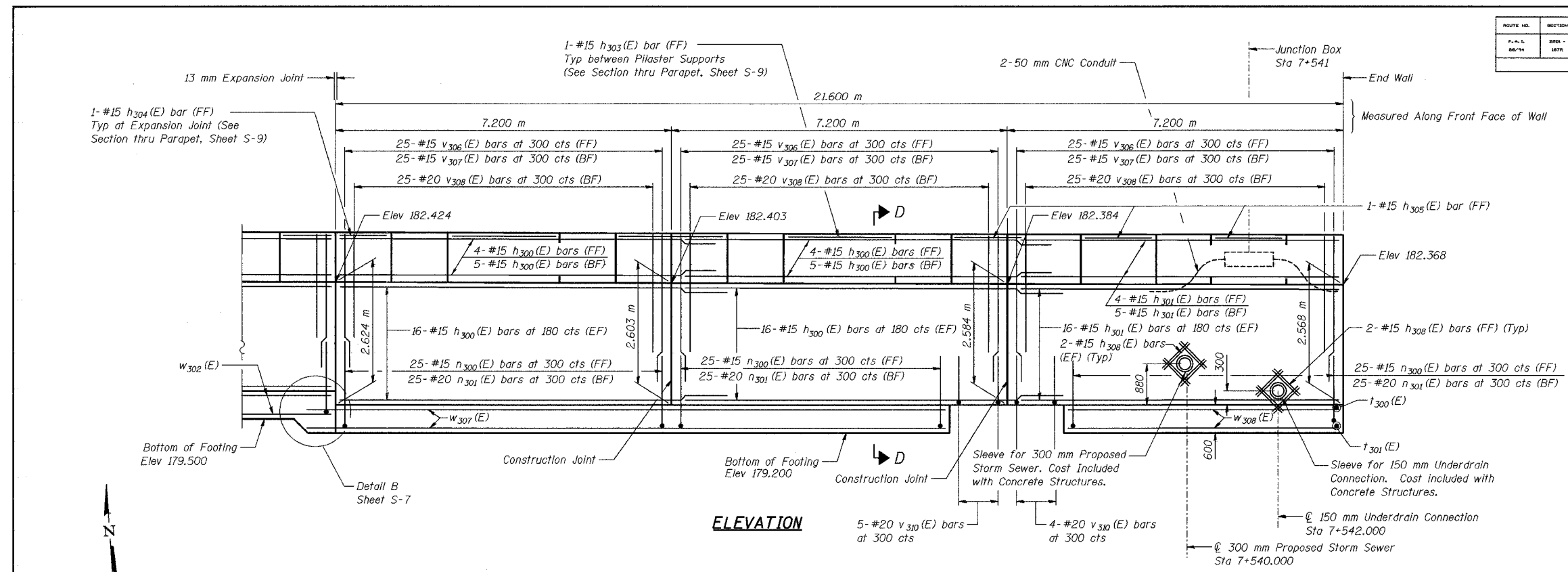


ROUTE NO.	SECTION	COUNTY	SHEET	SHEET	SHEET NO. S-8 14 SHEETS
1207	790				
CONTRACT No. 62114					



NOTES:
 See Sheet S-9 for Section D-D, Expansion Joint Detail, and Bill of Material.
 See Sheet S-10 for Rustication details.
 Stations are referenced to \pm 1-80/94.
 Reinforcement bars designated (E) shall be epoxy coated.
 All dimensions are in millimeters (mm) except as noted.
 See Electrical Drawings for Junction Box and Conduit Details.
 See Drainage Drawings for Underdrain Connection to Catch Basin.
 Bars indicated thus 20 x 3-#15 etc. indicates 20 lines of bars with 3 lengths per line.

DESIGNED	KFA
CHECKED	MJW
DRAWN	MJW
CHECKED	GSP

MINIMUM BAR LAPS
 #15 bars = 640
 #20 bars = 790

LEGEND
 BF = Back Face
 FF = Front Face
 EF = Each Face

ILLINOIS DEPARTMENT OF TRANSPORTATION
 F.A.I. ROUTE 80/94 AND U.S. ROUTE 6
 LOCAL ROAD RECONSTRUCTION

PLAN AND ELEVATION (6 OF 6)
 SECTION 2001-167R
 COOK COUNTY
 STATION 7+386.260 to STATION 7+543.382
 STRUCTURE NO. 016-W853
 DATE 07/05

AMERICAN
 CONSULTING ENGINEERS

FOR INFORMATION ONLY