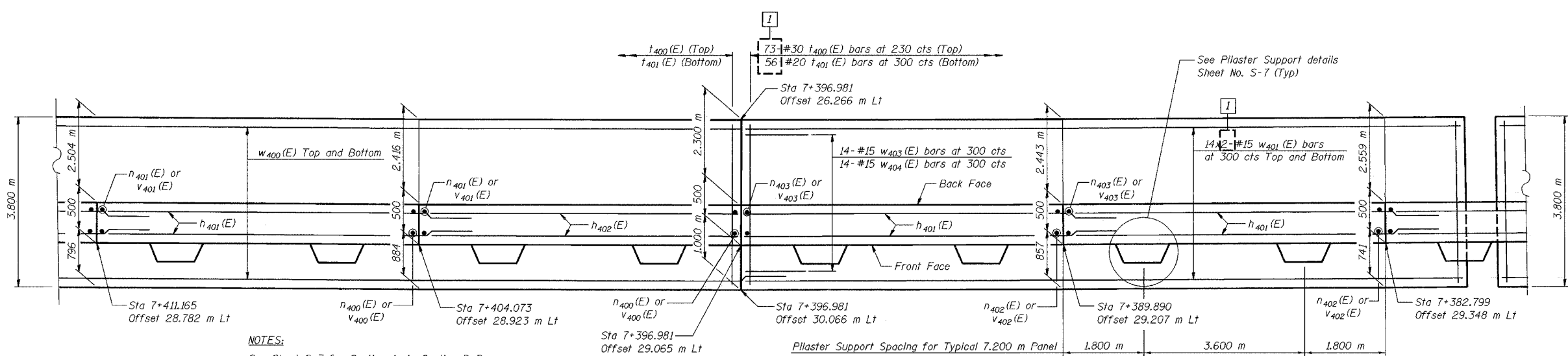
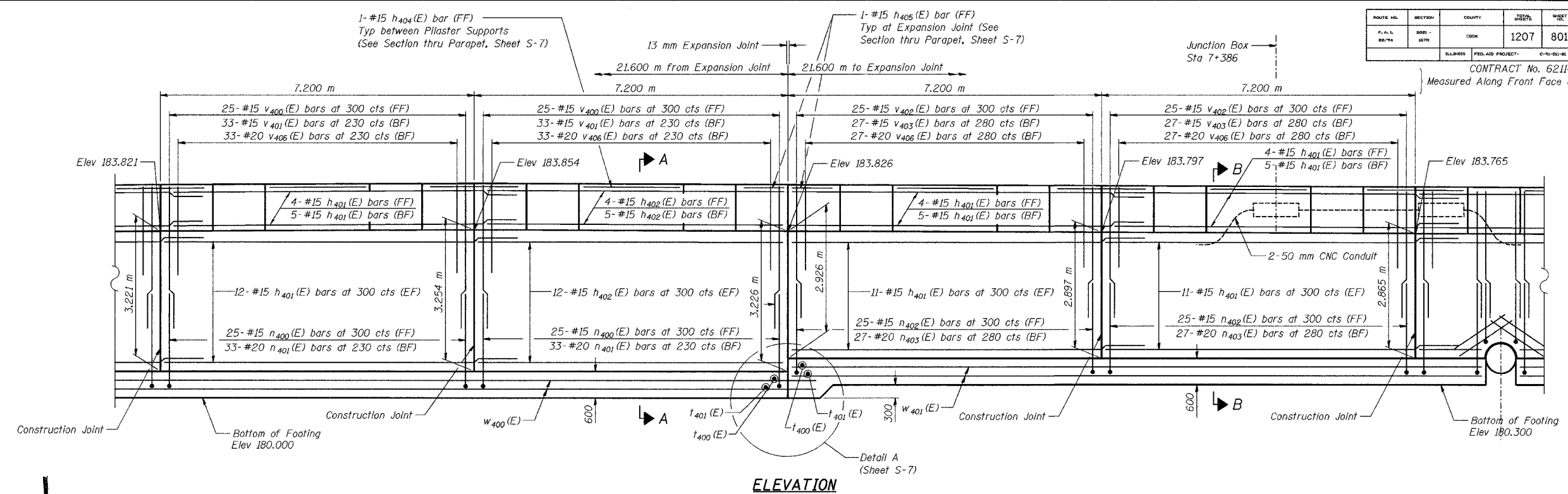


ROUTE NO.	SECTION	COUNTY	SHEETS	SHEET	SHEET NO. S-5 12 SHEETS
F.A.L. 88/94	2001- 167R	COOK	1207	801	
CONTRACT No. 62114					Measured Along Front Face of Wall
ILLINOIS DEPARTMENT OF TRANSPORTATION					



NOTES:
 See Sheet S-7 for Section A-A, Section B-B, Expansion Joint Detail, and Bill of Material.
 See Sheet S-8 for Rustication details.
 Stations are referenced to \odot I-80/94.
 Reinforcement bars designated (E) shall be epoxy coated.
 All dimensions are in millimeters (mm) except as noted.
 See Electrical Drawings for Junction Box and Conduit Details.
 Bars indicated thus 20 x 3-#15 etc. indicates 20 lines of bars with 3 lengths per line.

DESIGNED	KFA
CHECKED	MJW
DRAWN	MJW
CHECKED	GSP

MINIMUM BAR LAPS
 #15 bars = 640
 #20 bars = 790

LEGEND
 BF = Back Face
 FF = Front Face
 EF = Each Face

REVISED 10-22-04 KFA

ILLINOIS DEPARTMENT OF TRANSPORTATION
 F.A.L. ROUTE 80/94 AND U.S. ROUTE 6
 LOCAL ROAD RECONSTRUCTION
PLAN AND ELEVATION (3 OF 4)
SECTION 2001-167R
COOK COUNTY
STATION 7+354.041 to STATION 7+465.004
STRUCTURE NO. 016-W854
 DATE 07/05

AMERICAN
 CONSULTING ENGINEERS

FOR INFORMATION ONLY