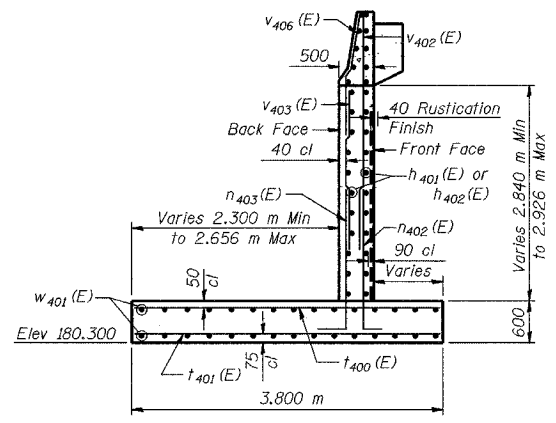
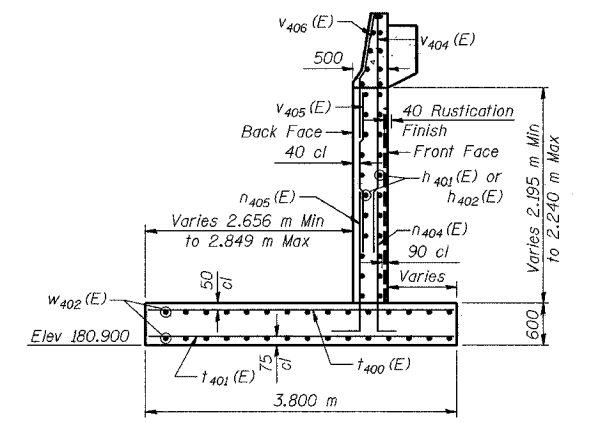


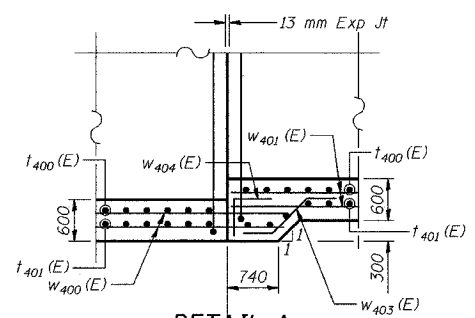
SECTION A-A



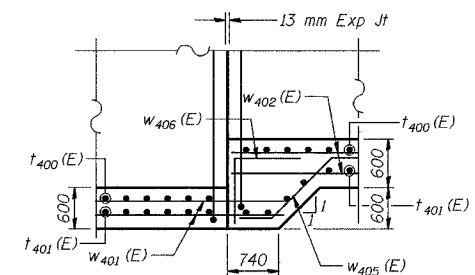
SECTION B-B



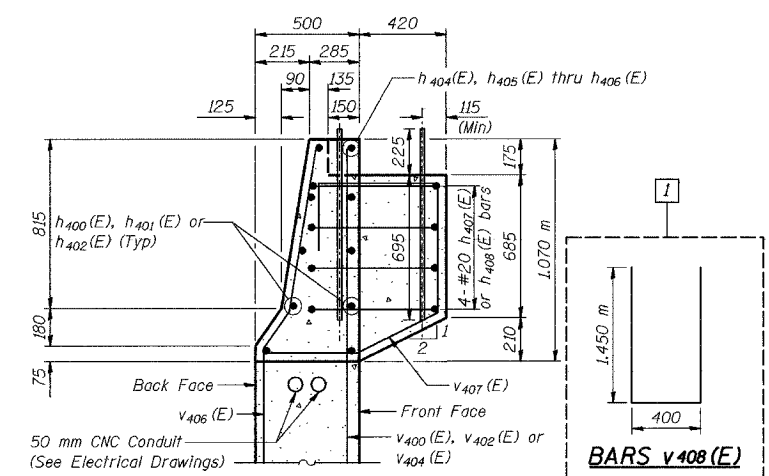
SECTION C-C



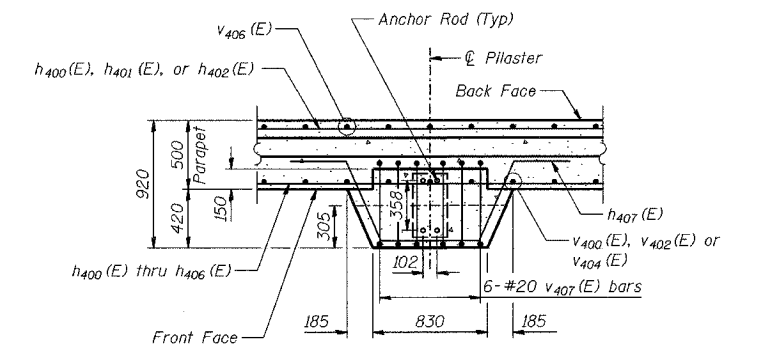
DETAIL A



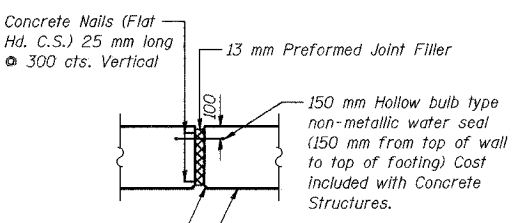
DETAIL B



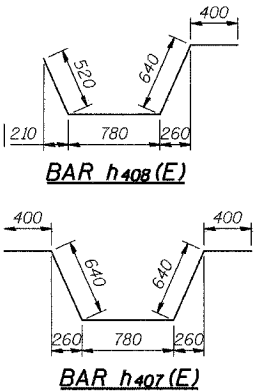
SECTION THRU PARAPET



TYPICAL PILASTER SUPPORT - PLAN VIEW
(33 Locations)



13 MM EXPANSION JOINT DETAIL



BAR DIMENSIONS

Bar	A	B
n400(E)	1.79m	260
n401(E)	1.79m	320
n402(E)	1.66m	260
n403(E)	1.66m	320
n404(E)	1.35m	260
n405(E)	1.49m	320
w403(E)	770	1,10m
w404(E)	770	---
w405(E)	1,07m	1,51m
w406(E)	1,07m	---

BARS n400(E) thru n405(E)

BARS w404(E) and w405(E)

BARS v406(E)

BARS w403(E) and w405(E)

BAR v407(E)

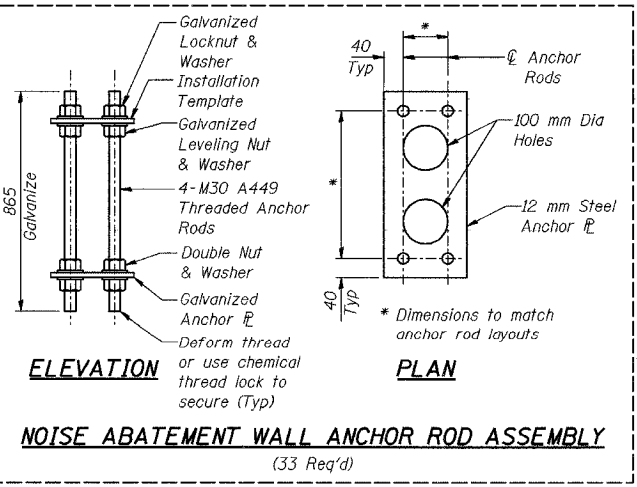
BILL OF MATERIAL

Bar	No.	Size	Length (m)	Shape
h400(E)	31	#15	4.88	---
h401(E)	306	#15	7.84	---
h402(E)	151	#15	7.10	---
h403(E)	16	#15	0.60	---
h404(E)	23	#15	2.30	---
h405(E)	9	#15	1.10	---
h406(E)	4	#15	1.50	---
h407(E)	124	#20	2.86	---
h408(E)	8	#20	2.34	---
h409(E)	8	#15	1.20	---
n400(E)	240	#15	2.05	L
n401(E)	316	#20	2.11	L
n402(E)	70	#15	1.96	L
n403(E)	76	#20	2.02	L
n404(E)	75	#15	1.69	L
n405(E)	75	#20	1.75	L
t400(E)	505	#30	3.70	---
t401(E)	376	#20	3.70	---
v400(E)	240	#15	3.62	---
v401(E)	316	#15	2.55	---
v402(E)	70	#15	3.42	---
v403(E)	76	#15	2.35	---
v404(E)	80	#15	3.00	---
v405(E)	80	#15	1.93	---
v406(E)	472	#20	1.76	---
v407(E)	198	#20	2.39	---
v408(E)	5	#20	3.30	---
w400(E)	224	#15	9.28	---
w401(E)	156	#15	8.41	---
w402(E)	84	#15	7.60	---
w403(E)	14	#15	2.38	---
w404(E)	14	#15	1.54	---
w405(E)	14	#15	2.79	---
w406(E)	14	#15	2.24	---
w407(E)	28	#15	5.26	---
Structure Excavation		m ³	1,467	---
Concrete Structures		m ³	466.0	---
Protective Coat		m ²	657	---
Reinforcement Bars, Epoxy Coated		kg	36,150	---
Geocomposite Wall Drain		m ²	321	---
Pipe Underdrains for Structures 150 mm		m	120.5	---
Noise Abatement Wall Anchor Rod Assembly		Each	33	---

MINIMUM BAR LAPS

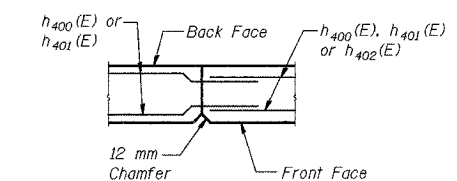
#15 bars = 640
#20 bars = 790

DESIGNED	KFA
CHECKED	MJW
DRAWN	MJW
CHECKED	GSP



ELEVATION

PLAN



CONSTRUCTION JOINT DETAIL

- 1 REVISED 10-22-04 KFA
- 1 REVISED 05-25-04 KFA

NOTES:
See Sheet S-8 for Rustication details.
Stations are referenced to \pm I-80/94.
Reinforcement bars designated (E) shall be epoxy coated.
All dimensions are in millimeters (mm) except as noted.
See Typical Section on Sheet S-2 for Drainage Details and Protective Coat Limits.

ILLINOIS DEPARTMENT OF TRANSPORTATION
F.A.L. ROUTE 80/94 AND U.S. ROUTE 6
LOCAL ROAD RECONSTRUCTION
WALL SECTIONS AND DETAILS
SECTION 2001-167R
COOK COUNTY
STATION 7+354.041 TO STATION 7+465.004
STRUCTURE NO. 016-W854
DATE 07/05



FOR INFORMATION ONLY