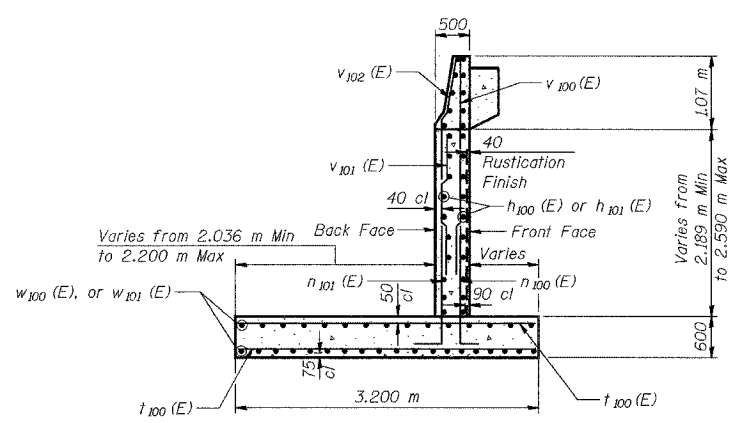


ROUTE NO.	SECTION	COUNTY	SHEETS	SHEET
F.A.S.	2626.2-R-1	COOK	1207	817
SHEET NO. S-9				

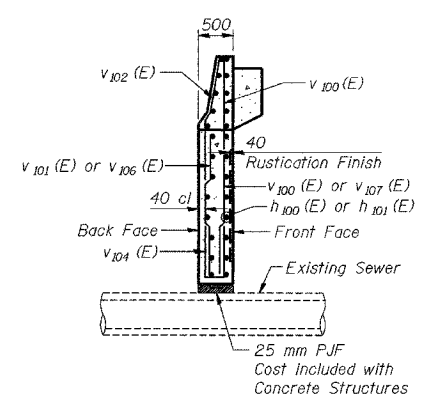
CONTRACT NO. 62114 INDOT DES. NO. 0100987

**BILL OF MATERIAL**

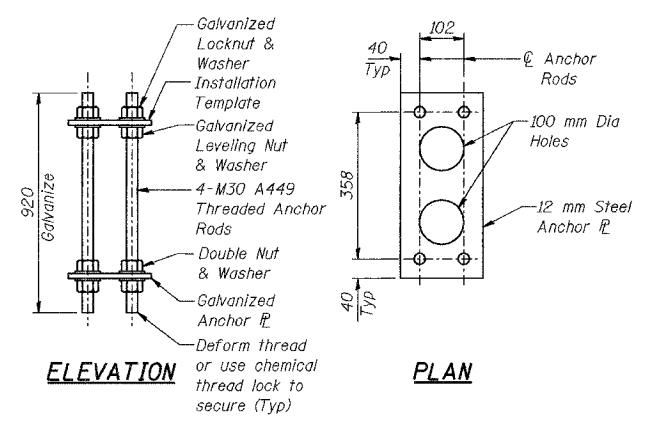
Bar	No.	Size	Length (m)	Shape
h <sub>100</sub> (E)	340	#15	7.84	—
h <sub>101</sub> (E)	211	#15	7.10	—
h <sub>102</sub> (E)	29	#15	2.30	—
h <sub>103</sub> (E)	13	#15	1.10	—
h <sub>104</sub> (E)	3	#15	1.50	—
h <sub>105</sub> (E)	152	#20	2.86	—
h <sub>106</sub> (E)	4	#20	2.74	—
h <sub>107</sub> (E)	8	#15	2.40	—
n <sub>100</sub> (E)	463	#15	2.16	—
n <sub>101</sub> (E)	463	#20	2.22	—
t <sub>100</sub> (E)	1062	#20	3.10	—
t <sub>101</sub> (E)	75	#25	4.00	—
t <sub>102</sub> (E)	45	#20	4.00	—
t <sub>103</sub> (E)	41	#25	3.90	—
t <sub>104</sub> (E)	24	#20	3.90	—
v <sub>100</sub> (E)	469	#15	2.98	—
v <sub>101</sub> (E)	469	#20	1.98	—
v <sub>102</sub> (E)	475	#20	1.91	—
v <sub>103</sub> (E)	234	#20	2.39	—
v <sub>104</sub> (E)	12	#20	2.94	—
v <sub>105</sub> (E)	25	#20	0.87	—
v <sub>106</sub> (E)	6	#15	2.28	—
v <sub>107</sub> (E)	6	#20	1.28	—
w <sub>100</sub> (E)	192	#15	8.75	—
w <sub>101</sub> (E)	144	#15	9.18	—
w <sub>102</sub> (E)	60	#15	4.24	—
w <sub>103</sub> (E)	60	#15	2.87	—
w <sub>104</sub> (E)	32	#15	5.65	—
Structure Excavation	m <sup>3</sup>		1,284	
Concrete Structures	m <sup>3</sup>		498.6	
Protective Coat	m <sup>2</sup>		208	
Reinforcement Bars, Epoxy Coated	kg		35,620	
Geocomposite Wall Drain	m <sup>2</sup>		258	
Pipe Underdrains for Structures 150 mm	m		145.0	
Noise Abatement Wall Anchor Rod Assembly	Each		39	



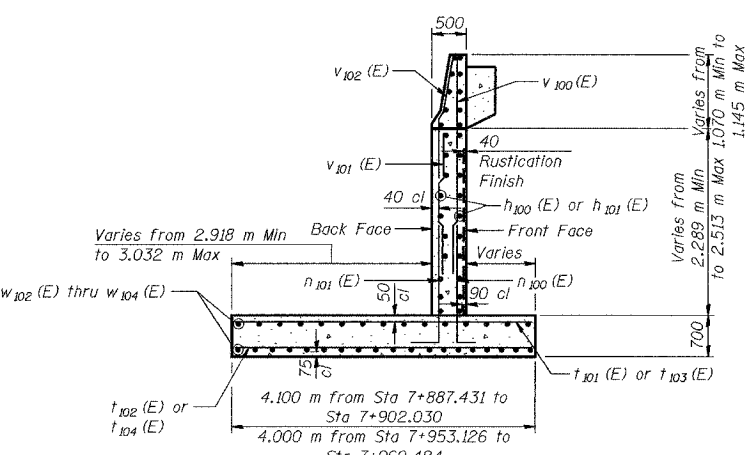
**SECTION A-A**



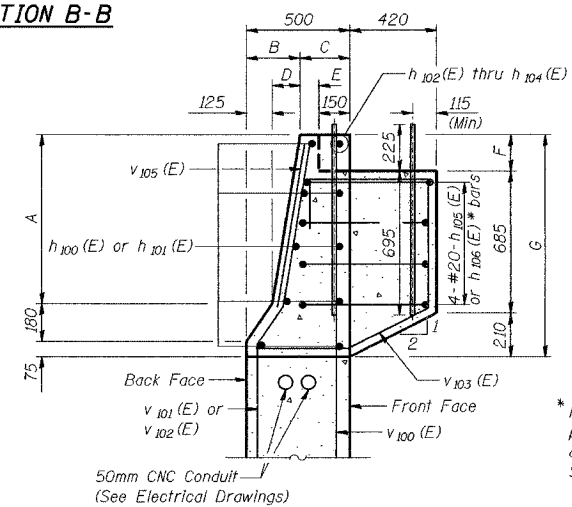
**SECTION B-B**



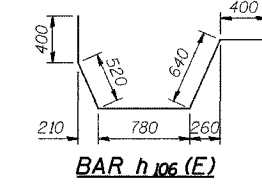
**NOISE ABATEMENT WALL ANCHOR ROD ASSEMBLY**  
(39 Req'd)



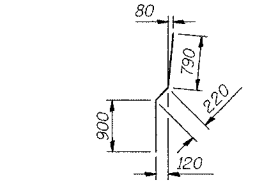
**SECTION C-C**



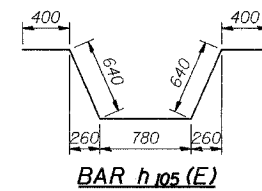
**SECTION THRU PARAPET**



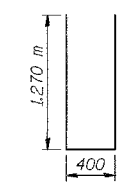
**BAR h<sub>106</sub>(E)**



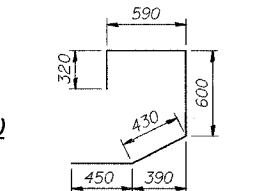
**BARS v<sub>102</sub>(E)**



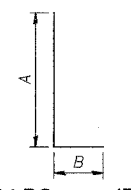
**BAR h<sub>105</sub>(E)**



**BARS v<sub>104</sub>(E)**



**BAR v<sub>103</sub>(E)**

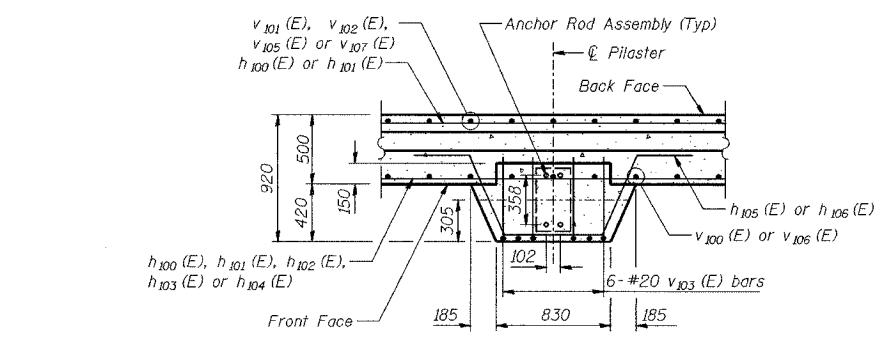


**BARS n<sub>100</sub>(E) and n<sub>101</sub>(E)**

**BAR DIMENSIONS**

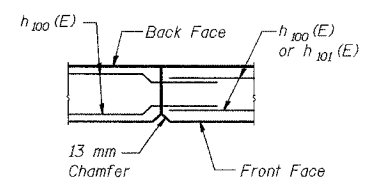
Bar	A	B
n <sub>100</sub> (E)	1.90 m	260
n <sub>101</sub> (E)	1.90 m	320

Dimension	Constant from Sta 7+821.737 to Sta 7+953.126	Varies from Sta 7+953.126 to Sta 7+960.424
A	815	815 to 890
B	215	215 to 225
C	285	285 to 275
D	90	90 to 100
E	135	135 to 125
F	175	175 to 250
G	1.070 m	1.070 m to 1.145 m

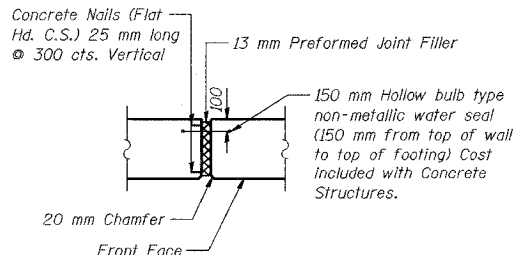


**TYPICAL PILASTER SUPPORT - PLAN VIEW**  
(39 Locations)

DESIGNED	MJW
CHECKED	KFA
DRAWN	MJB
CHECKED	GSP



**CONSTRUCTION JOINT DETAIL**



**13 MM EXPANSION JOINT DETAIL**

**NOTES:**

See Sheet S-10 for Rustication details.  
Reinforcement bars designated (E) shall be epoxy coated.  
All dimensions are in millimeters (mm) except as noted.  
See Typical Section on S-2 for Drainage Details and Protective Coat Limits.

**\*\* FIELD CUTTING DIAGRAM**

Order bars full length. Cut to fit as shown and place in footing on one side of pipe. Place remainder on other side of pipe.

ILLINOIS DEPARTMENT OF TRANSPORTATION  
I-80/94/US 6  
KINGERY-BORMAN EXPRESSWAY  
BURNHAM ROAD TO US 41

**WALL SECTIONS AND DETAILS**  
SECTION 2626.2-R-1  
COOK COUNTY  
STATION 7+821.737 TO STATION 7+960.424  
STRUCTURE NO. 016-W855

DATE 07/05

**AMERICAN**  
CONSULTING ENGINEERS

FOR INFORMATION ONLY