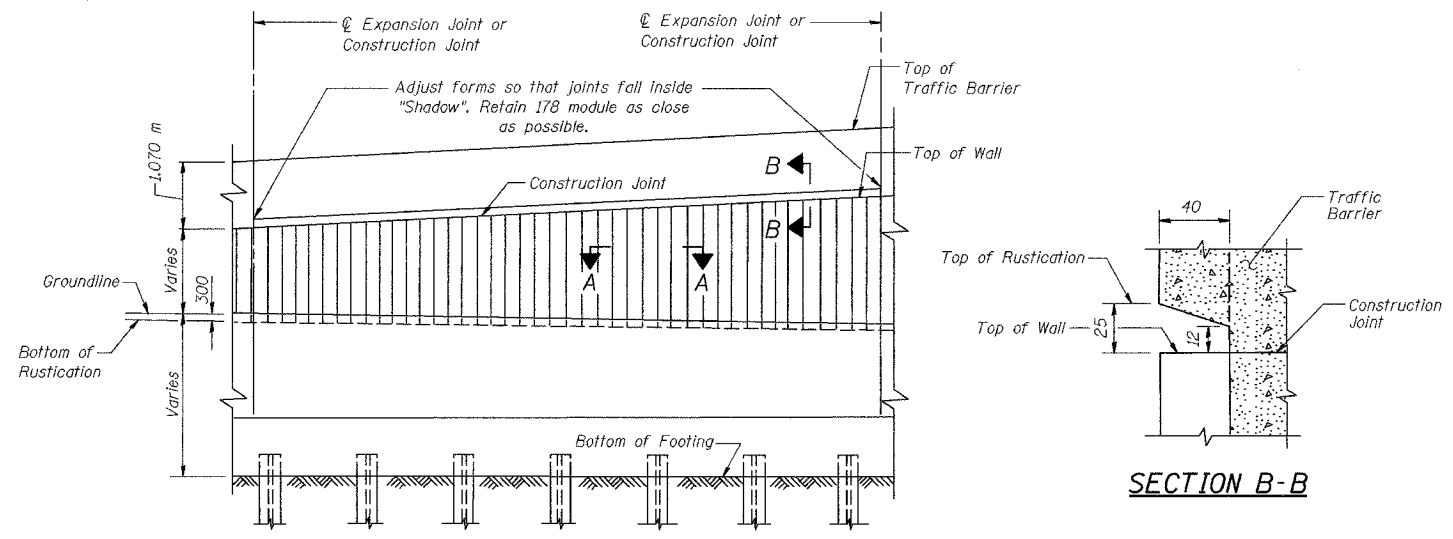


ROUTE NO.	SECTION	COUNTY	SHEET	SHEET NO. S-10
F.A.L. 06/14	2626.2-R-1	COOK	1207 818	12 SHEETS
BLANKS		FIELD PROJECT		

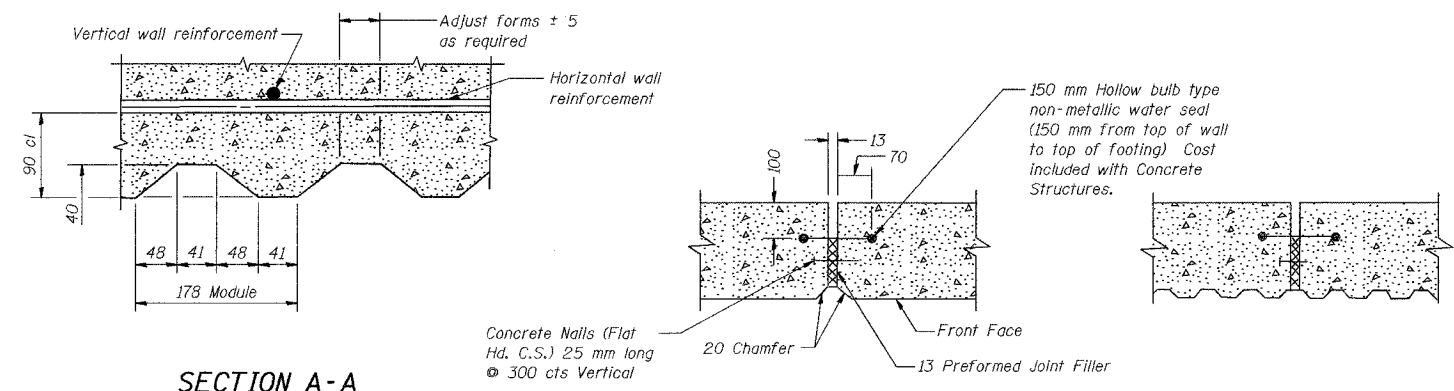
CONTRACT NO. 62114 INDOT DES. NO. 0100987



FRONT FACE ELEVATION-TYPICAL ARCHITECTURAL FINISH

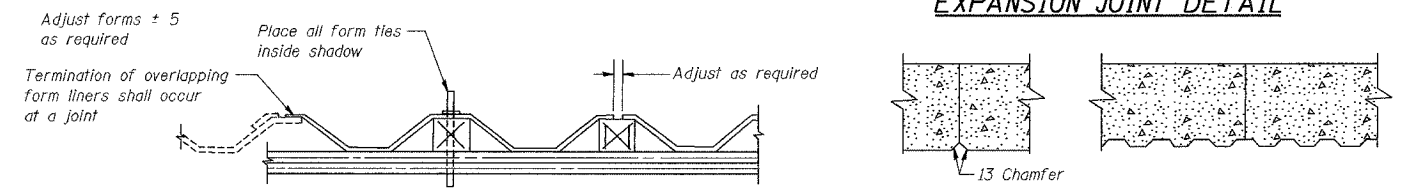
RUSTICATION LIMITS

STATION	TOP OF WALL ELEVATION	BOTTOM OF RUSTICATION ELEVATION
7+821.737	182.989	181.400
7+829.037	183.010	181.400
7+836.336	183.033	181.400
7+843.635	183.055	181.400
7+850.935	183.077	181.400
7+858.234	183.100	181.400
7+865.533	183.122	181.400
7+872.833	183.144	181.400
7+880.132	183.167	181.400
7+887.431	183.189	181.400
7+894.731	183.211	181.400
7+902.030	183.233	181.400
7+909.329	183.256	181.400
7+916.629	183.278	181.400
7+923.928	183.300	181.400
7+931.228	183.323	181.400
7+938.527	183.345	181.400
7+945.826	183.367	181.400
7+953.126	183.390	181.400
7+960.424	183.413	181.400



SECTION A-A

EXPANSION JOINT DETAIL



SUGGESTED FORMWORK DETAIL

CONSTRUCTION JOINT DETAIL

DESIGNED	MJW
CHECKED	KFA
DRAWN	MJB
CHECKED	GSP

BILL OF MATERIAL

Item	Unit	Total
Rustication Finish	m ²	246

Note: All dimensions are in millimeters (mm) unless otherwise noted.

ILLINOIS DEPARTMENT OF TRANSPORTATION
 I-80/94/US 6
 KINGERY-BORMAN EXPRESSWAY
 BURNHAM ROAD TO US 41
RUSTICATION FINISH DETAILS
 SECTION 2626.2-R-1
 COOK COUNTY
 STATION 7+821.737 TO STATION 7+960.424
 STRUCTURE NO. 016-W855
 DATE 07/05
AMERICAN
 CONSULTING ENGINEERS

FOR INFORMATION ONLY