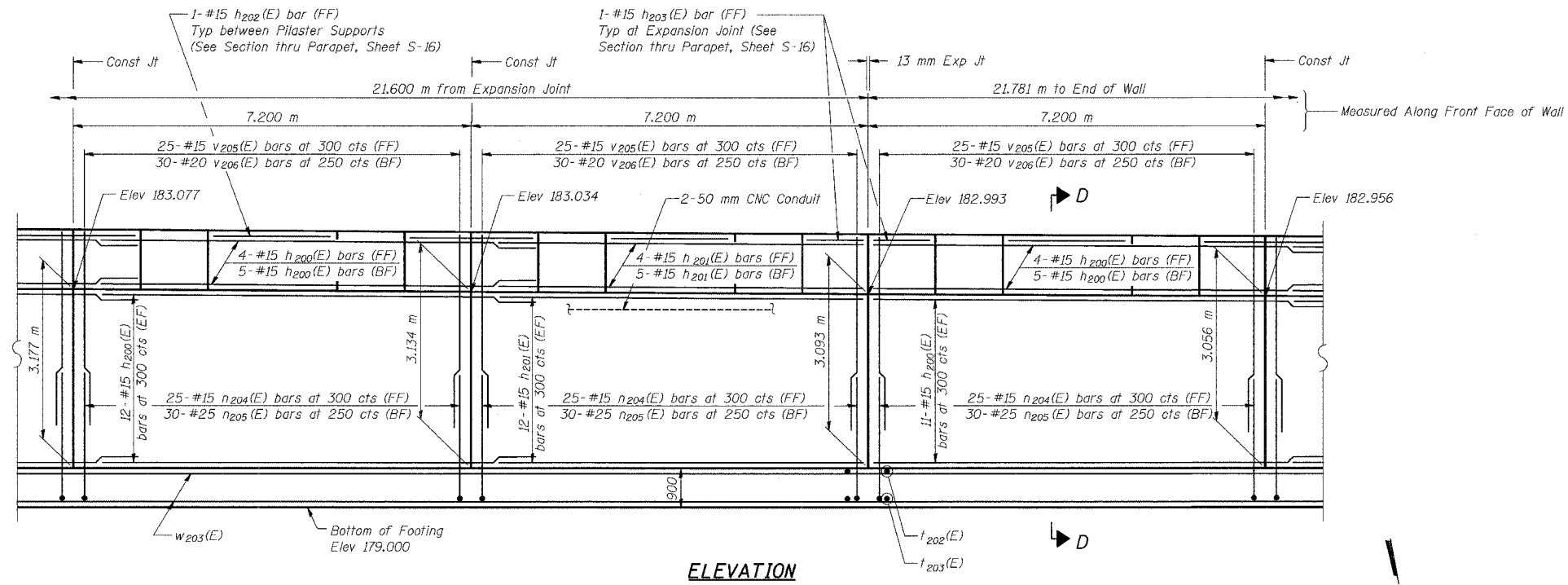
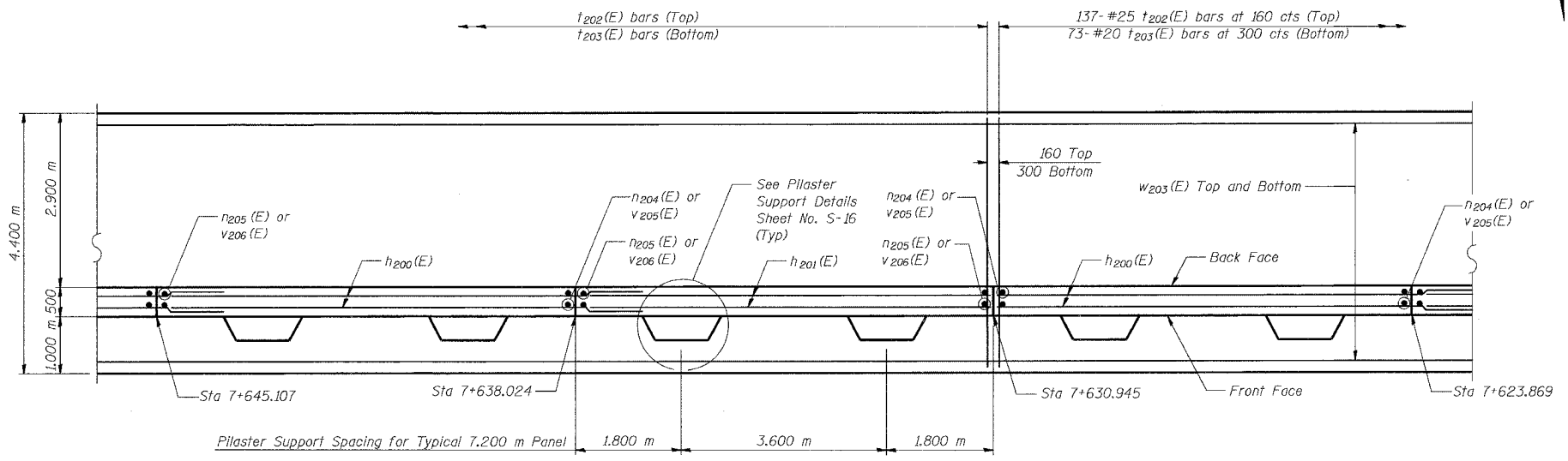


ROUTE NO.	SECTION	COUNTY	SHEET	SHEET NO. S-14
I-80/94	2626.2-R-1	COOK	1207 834	20 SHEETS
ILLINOIS		INDOT DES. NO. 0100987		



**ELEVATION**



**FOOTING PLAN**

**NOTES:**  
 See Sheet S-16 for Section D-D, Expansion Joint Detail, and Bill of Material.  
 See Sheet S-17 for Rustication details.  
 Stations are referenced to  $\odot$  I-80/94.  
 Reinforcement bars designated (E) shall be epoxy coated.  
 All dimensions are in millimeters (mm) except as noted.  
 See Electrical Drawings for Junction Box and Conduit Details.

DESIGNED	MJW
CHECKED	KFA
DRAWN	MJB
CHECKED	GSP

**MINIMUM BAR LAPS**  
 #15 bars = 640  
 #20 bars = 790

**LEGEND**  
 BF = Back Face  
 FF = Front Face  
 EF = Each Face

ILLINOIS DEPARTMENT OF TRANSPORTATION  
 I-80/94/US 6  
 KINGERY-BORMAN EXPRESSWAY  
 BURNHAM ROAD TO US 41

**PLAN AND ELEVATION (12 OF 13)**  
 SECTION 2626.2-R-1  
 COOK COUNTY  
 STATION 7+609.549 TO STATION 7+893.827  
 STRUCTURE NO. 016-W856  
 DATE 07/05

**AMERICAN**  
 CONSULTING ENGINEERS

FOR INFORMATION ONLY