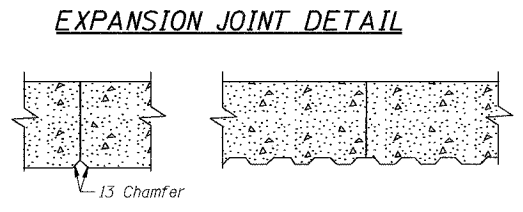
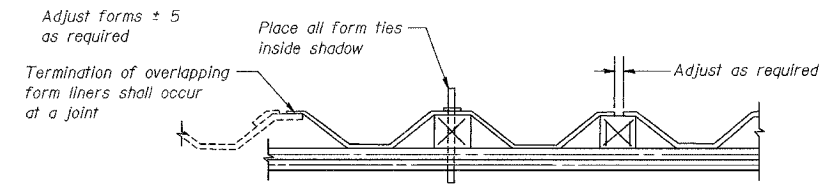
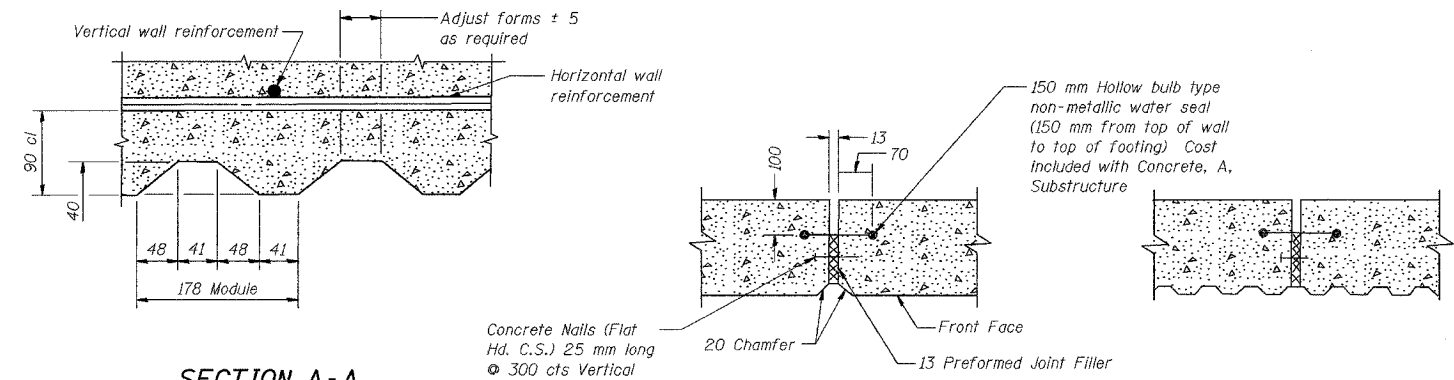


FRONT FACE ELEVATION-TYPICAL ARCHITECTURAL FINISH



PHASE 2 RUSTICATION LIMITS

STATION	TOP OF WALL ELEVATION	BOTTOM OF RUSTICATION ELEVATION
8+600.619	189.150	187.600
8+603.916	190.750	187.600
8+605.691	190.750	187.600
8+605.691	192.084	186.800
8+610.281	192.039	186.800
8+614.870	191.993	186.800
8+622.759	191.958	186.800
8+629.071	191.939	186.800
8+636.171	191.858	186.800
8+643.272	191.767	186.800
8+650.372	191.671	186.800
8+657.472	191.569	186.800
8+664.573	191.463	186.800
8+671.673	191.352	186.800
8+678.773	191.235	186.800
8+678.773	191.235	186.200
8+685.874	191.114	186.200
8+692.974	190.988	186.200
8+700.074	190.856	186.200
8+707.174	190.720	186.200
8+714.275	190.578	186.200
8+721.375	190.432	186.200
8+721.375	190.432	185.600
8+728.475	190.280	185.600
8+735.576	190.124	185.600

PHASE 3 RUSTICATION LIMITS

STATION	TOP OF WALL ELEVATION	BOTTOM OF RUSTICATION ELEVATION
8+735.576	190.124	185.600
8+743.712	189.938	185.600
8+743.712	188.220	184.900
8+745.487	188.220	184.900
8+749.234	185.350	184.900

BILL OF MATERIAL

Item	Unit	Phase 2 Total	Phase 3 Total
Rustication Finish	m ²	647	50

Note: All dimensions are in millimeters (mm) unless otherwise noted.

DESIGNED	KFA
CHECKED	BPS
DRAWN	MJB
CHECKED	GSP

ILLINOIS DEPARTMENT OF TRANSPORTATION
I-80/94/US 6
KINGERY-BORMAN EXPRESSWAY
BURNHAM ROAD TO US 41

RUSTICATION FINISH DETAILS
SECTION 2626.2-R-1
LAKE COUNTY, INDIANA
STATION 8+735.576 TO STATION 8+748.936
STRUCTURE NO. 016-W859

DATE 09/05

AMERICAN
CONSULTING ENGINEERS