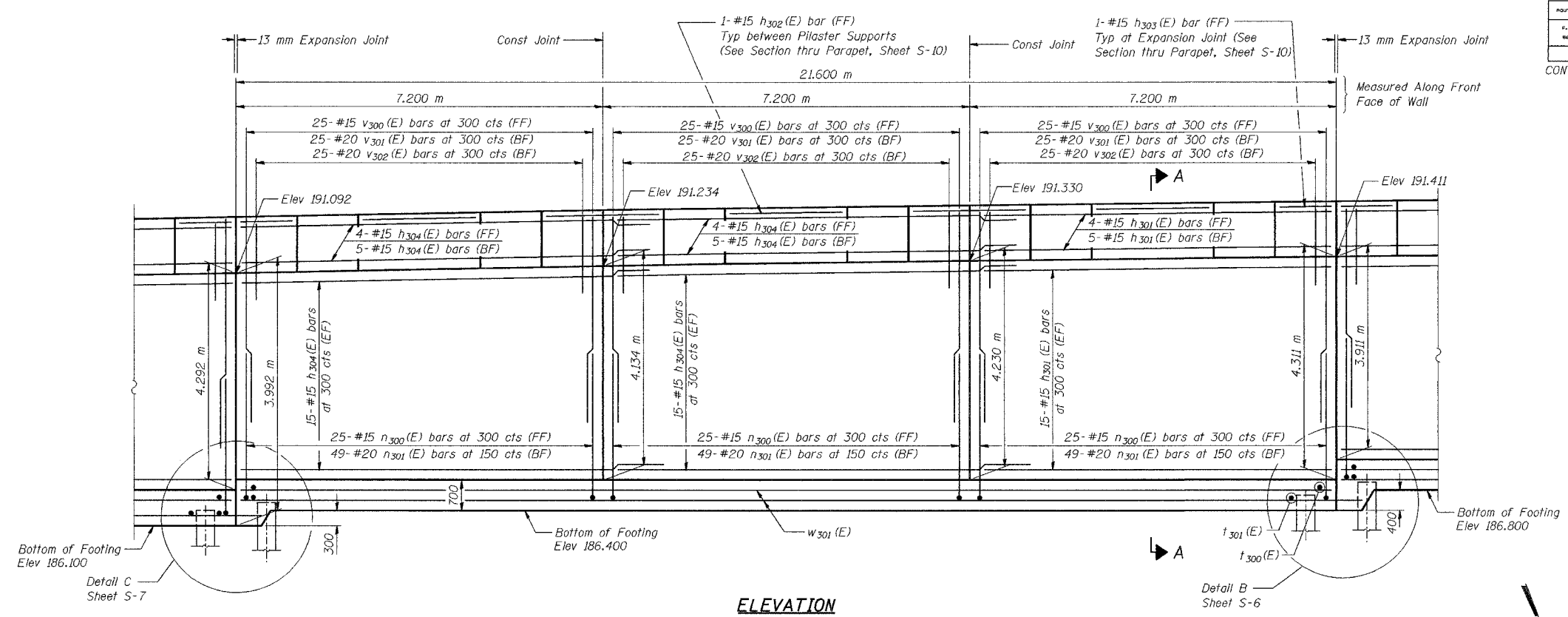
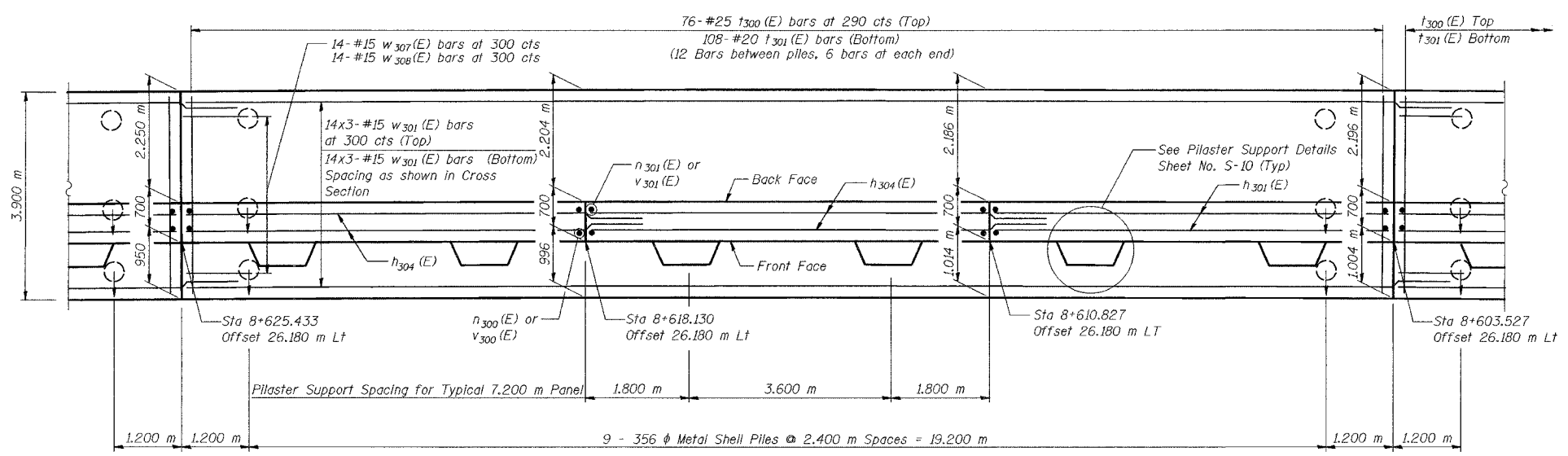


ROUTE NO.	SECTION	COUNTY	SHEET NO.	SHEET	SHEET NO. S-8
1-80/94	2626.2-R-2	LAKE COUNTY, INDIANA	1207	905	19 SHEETS
ILLINOIS		FEDERAL PROJECT			

CONTRACT NO. 62114 INDOT DES. NO. 0100987



ELEVATION



FOOTING PLAN

DESIGNED	KFA
CHECKED	BPS
DRAWN	MJB
CHECKED	GSP

MINIMUM BAR LAPS
 #15 bars = 640
 #20 bars = 790

LEGEND
 BF = Back Face
 FF = Front Face
 EF = Each Face

NOTES:
 See Sheet S-10 for Section A-A.
 See Sheet S-11 for Expansion Joint Detail and Bill of Material.
 See Sheet S-12 for Rustication details.
 Stations are referenced to \mathcal{L} 1-80/94.
 Reinforcement bars designated (E) shall be epoxy coated.
 All dimensions are in millimeters (mm) except as noted.
 Bars indicated thus 20 x 3-#15 etc. indicates 20 lines of bars with 3 lengths per line.

ILLINOIS DEPARTMENT OF TRANSPORTATION
 I-80/94/US 6
 KINGERY-BORMAN EXPRESSWAY
 BURNHAM ROAD TO US 41
PLAN AND ELEVATION (6 OF 7)
SECTION 2626.2-R-2
LAKE COUNTY, INDIANA
STATION 8+581.326 TO STATION 8+733.961
STRUCTURE NO. 016-W860
 DATE 09/05
AMERICAN
 CONSULTING ENGINEERS