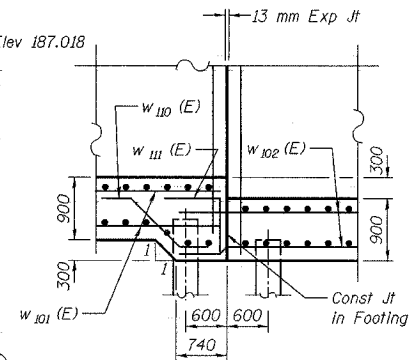
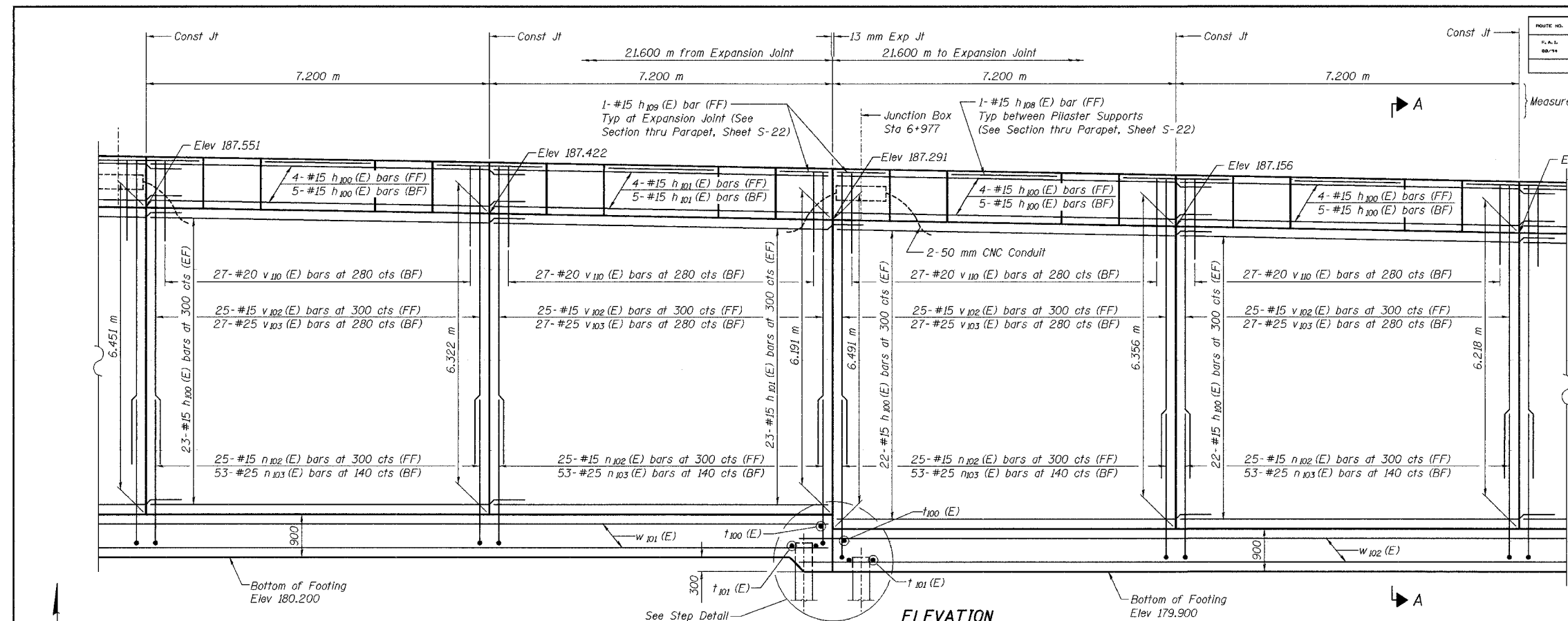


ROUTE NO.	SECTION	COUNTY	SHEET	SHEET NO.
1207	952	COOK COUNTY	1207 952	37 SHEETS

CONTRACT No. 62114



NOTES:

See Sheet S-22 for Section A-A, Pilaster Support details, and Bill of Material. See Sheet S-23 for Rustication details and Expansion Joint Detail.

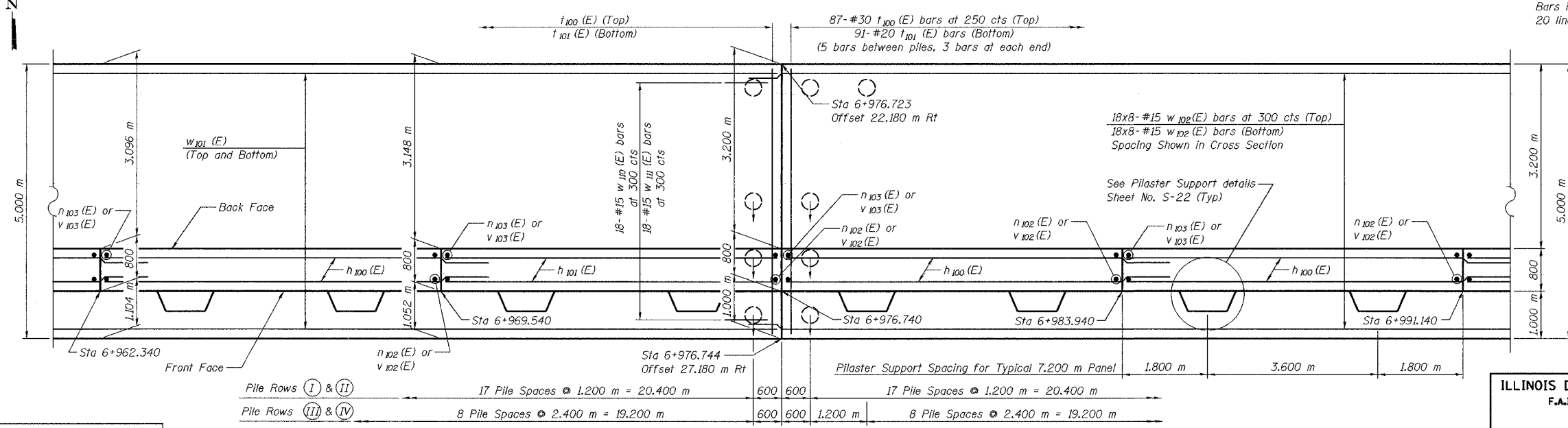
Stations are referenced to @ I-80/94.

Reinforcement bars designated (E) shall be epoxy coated.

All dimensions are in millimeters (mm) except as noted.

See Electrical Drawings for Junction Box and Conduit Details.

Bars indicated thus 20 x 3-#15 etc. indicates 20 lines of bars with 3 lengths per line.



DESIGNED	BHS
CHECKED	KFA
DRAWN	MJB
CHECKED	GSP

FOOTING PLAN

MINIMUM BAR LAPS

#15 bars = 640
 #20 bars = 790
 #25 bars = 1320

LEGEND

BF = Back Face
 FF = Front Face
 EF = Each Face

ILLINOIS DEPARTMENT OF TRANSPORTATION
 F.A.I. ROUTE 80/94 AND U.S. ROUTE 6
 LOCAL ROAD RECONSTRUCTION

**PLAN AND ELEVATION (5 OF 19)
 SECTION 2001-167R
 COOK COUNTY**

**STATION 6+850.000 to STATION 7+400.281
 STRUCTURE NO. 016-W873**

DATE 07/05

AMERICAN
 CONSULTING ENGINEERS

FOR INFORMATION ONLY