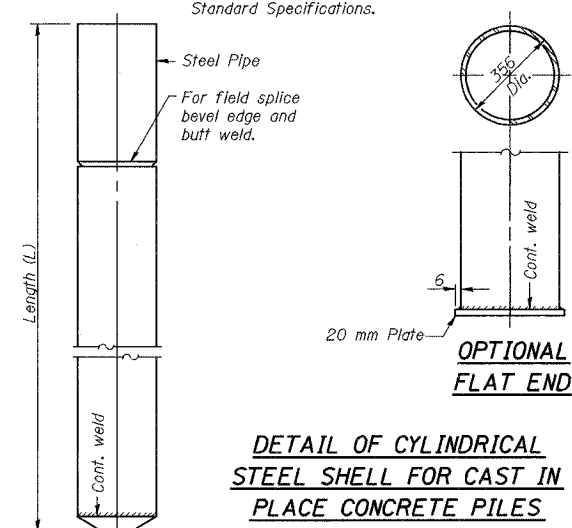


Notes: Driving and bearing ends of pipe shall be cut square.
 The thickness of the shell shall be 6.35 mm with a tolerance of 5 % .
 The shell shall be according to Article 1006.05(a) of the Standard Specifications.



DESIGNED	BHS
CHECKED	KFA
DRAWN	MJB
CHECKED	GSP

X-PB (M) 4-30-97 (All dimensions are in millimeters (mm) except as noted.)

ILLINOIS DEPARTMENT OF TRANSPORTATION
 F.A.L. ROUTE 80/94 AND U.S. ROUTE 6
 LOCAL ROAD RECONSTRUCTION

CONCRETE PILE DETAILS
SECTION 2001-167R
COOK COUNTY

STATION 6 + 850.000 to STATION 7 + 400.281
STRUCTURE NO. 016-W873

DATE 07/05

AMERICAN
 CONSULTING ENGINEERS

FOR INFORMATION ONLY

I:\PROJECTS\2001-167R\016-W873\016-W873.dwg