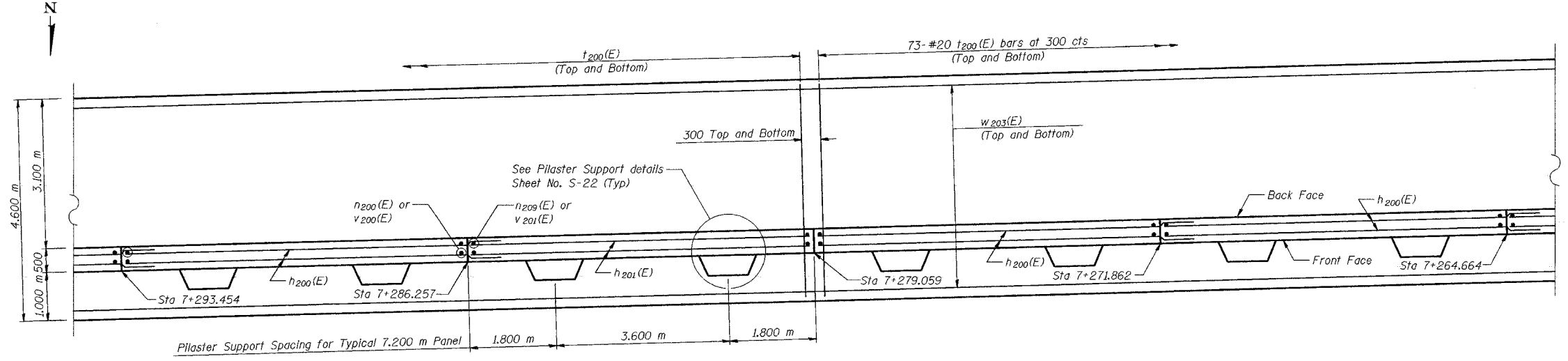


ELEVATION



FOOTING PLAN

NOTES:

See Sheet S-22 for Section A-A, Pilaster Support details, and Bill of Material.

See Sheet S-23 for Rustication details and Expansion Joint Detail.

Stations are referenced to CL I-80/94.

Reinforcement bars designated (E) shall be epoxy coated.

All dimensions are in millimeters (mm) except as noted.

See Electrical Drawings for Junction Box and Conduit Details.

DESIGNED	BHS
CHECKED	KFA
DRAWN	MJB
CHECKED	GSP

MINIMUM BAR LAPS

#15 bars = 640
#20 bars = 790
#25 bars = 1320

LEGEND

BF = Back Face
FF = Front Face
EF = Each Face

ILLINOIS DEPARTMENT OF TRANSPORTATION
F.A.L. ROUTE 80/94 AND U.S. ROUTE 6
LOCAL ROAD RECONSTRUCTION

PLAN AND ELEVATION (4 OF 19)
SECTION 2001-167R
COOK COUNTY
STATION 6+850.000 to STATION 7+379.000
STRUCTURE NO. 016-W874
DATE 07/05

AMERICAN
CONSULTING ENGINEERS

FOR INFORMATION ONLY