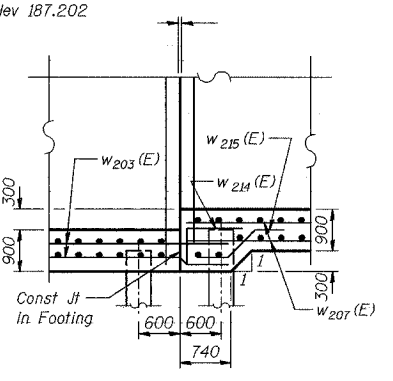
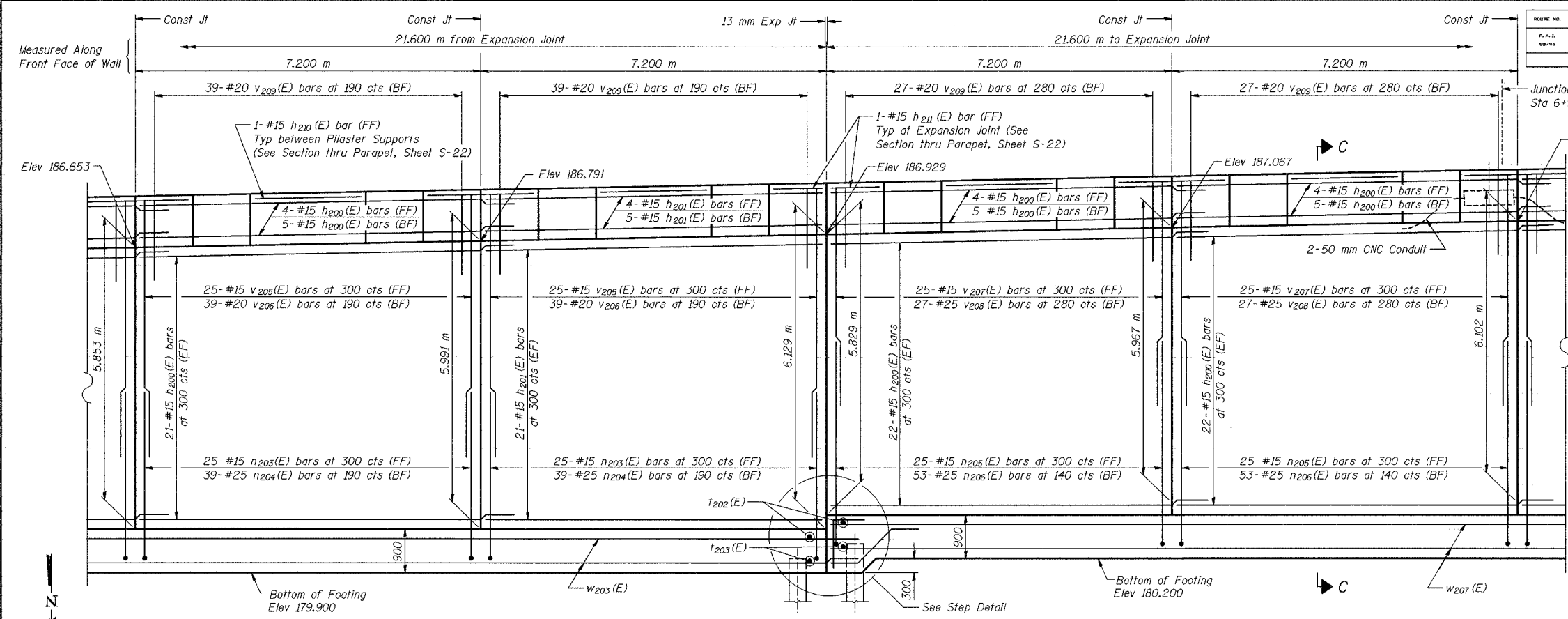
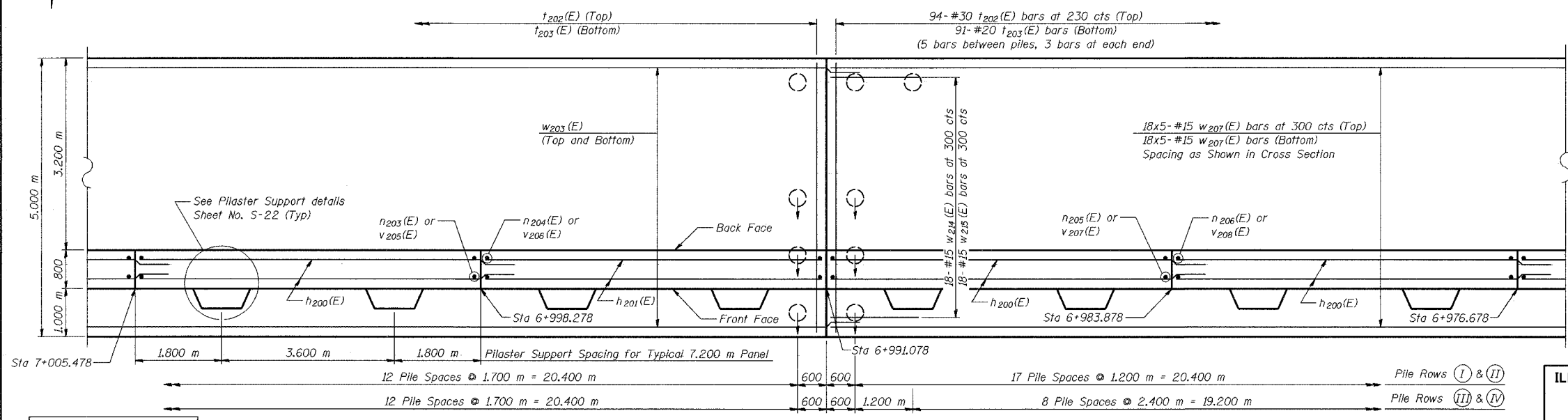


ROUTE NO.	SECTION	COUNTY	SHEET	SHEET NO. S-16
F.A.L.	2001-167R	COOK	1207	998
DATE	10/94			35 SHEETS
ILLINOIS DEPARTMENT OF TRANSPORTATION				CONTRACT No. 62114



ELEVATION



FOOTING PLAN

NOTES:
 See Sheet S-22 for Section C-C, Pilaster Support details, and Bill of Material.
 See Sheet S-23 for Rustication details and Expansion Joint Detail.
 Stations are referenced to \odot I-80/94.
 Reinforcement bars designated (E) shall be epoxy coated.
 All dimensions are in millimeters (mm) except as noted.
 See Electrical Drawings for Junction Box and Conduit Details.
 Bars indicated thus 20 x 3-#15 etc. indicates 20 lines of bars with 3 lengths per line.

DESIGNED	BHS
CHECKED	KFA
DRAWN	MJB
CHECKED	GSP

MINIMUM BAR LAPS	LEGEND
#15 bars = 640	BF = Back Face
#20 bars = 790	FF = Front Face
#25 bars = 1320	EF = Each Face

ILLINOIS DEPARTMENT OF TRANSPORTATION
 F.A.I. ROUTE 80/94 AND U.S. ROUTE 6
 LOCAL ROAD RECONSTRUCTION

PLAN AND ELEVATION (14 OF 19)
 SECTION 2001-167R
 COOK COUNTY
 STATION 6+850.000 to STATION 7+379.000
 STRUCTURE NO. 016-W874
 DATE 07/05

AMERICAN
 CONSULTING ENGINEERS

FOR INFORMATION ONLY