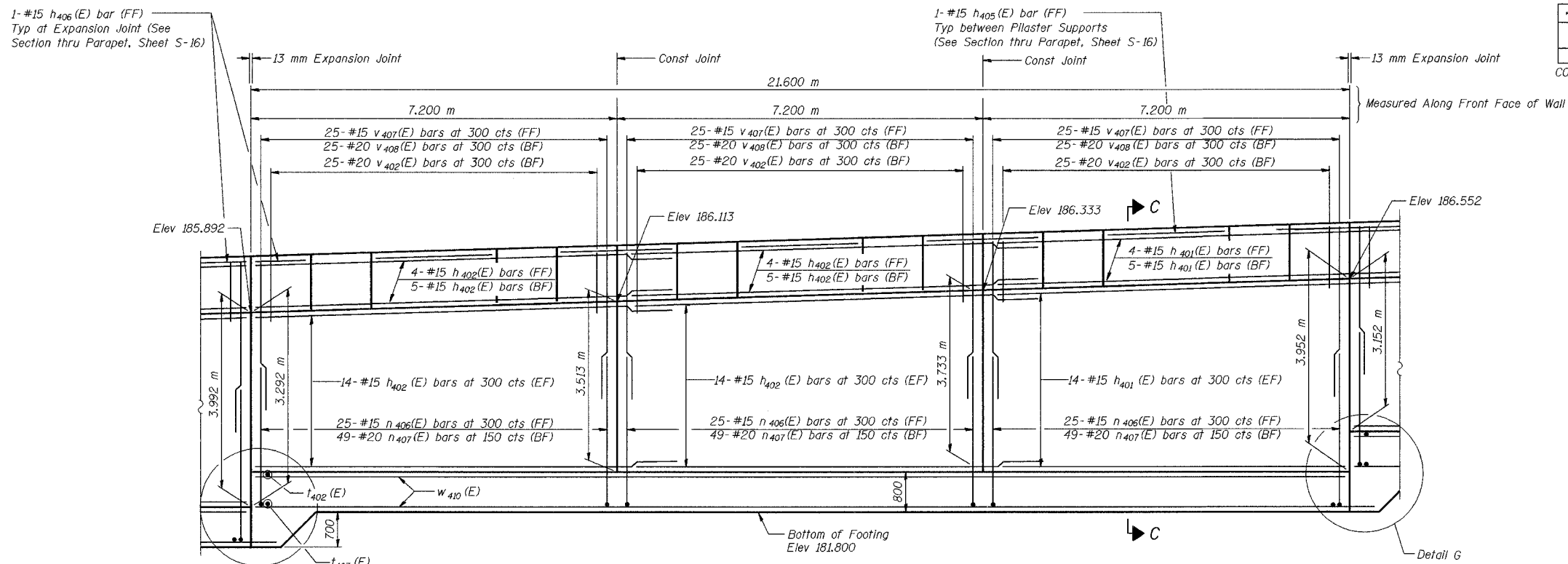
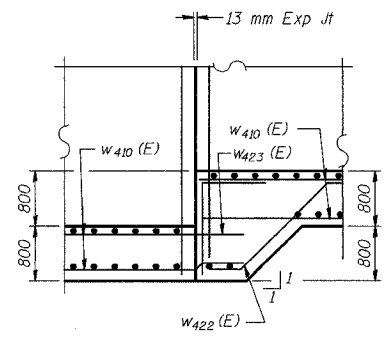


COUNTY NO.	SECTION	COUNTY	SHEET	SHEET	SHEET NO. S-12
F.A.L. 000/74	2626.2-R-2	LAKE COUNTY, INDIANA	1207	1029	25 SHEETS
S.D. NO.		FED. AID PROJECT			

CONTRACT NO. 62114 INDOT DES. NO. 0100987

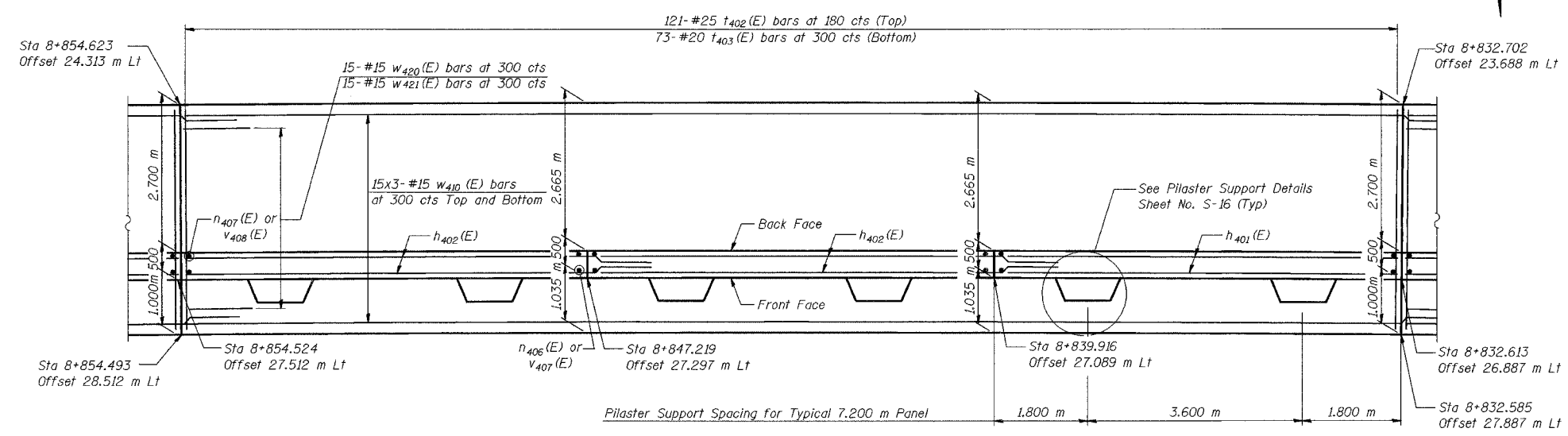


ELEVATION



DETAIL G

NOTES:
 See Sheet S-16 for Section C-C.
 See Sheet S-17 for Expansion Joint Detail and Bill of Material.
 See Sheet S-18 for Rustication details.
 Stations are referenced to \odot I-80/94.
 Reinforcement bars designated (E) shall be epoxy coated.
 All dimensions are in millimeters (mm) except as noted.
 Bars indicated thus 20 x 3-#15 etc. indicates 20 lines of bars with 3 lengths per line.



FOOTING PLAN

MINIMUM BAR LAPS

#15 bars = 640
 #20 bars = 790

LEGEND

BF = Back Face
 FF = Front Face
 EF = Each Face

DESIGNED	KFA
CHECKED	BPS
DRAWN	MJB
CHECKED	GSP

ILLINOIS DEPARTMENT OF TRANSPORTATION
 I-80/94/US 6
 KINGERY-BORMAN EXPRESSWAY
 BURNHAM ROAD TO US 41

PLAN AND ELEVATION (10 OF 13)
SECTION 2626.2-R-2
LAKE COUNTY, INDIANA
STATION 8+762.750 TO STATION 9+101.839
STRUCTURE NO. 016-W915

DATE 09/05

AMERICAN
 CONSULTING ENGINEERS