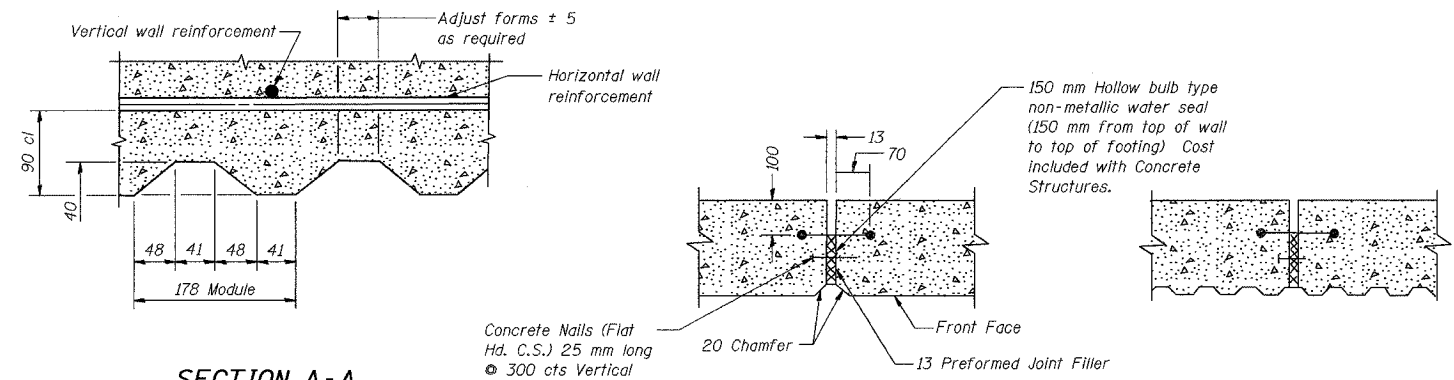
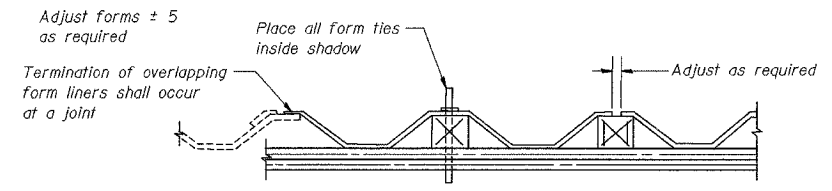


FRONT FACE ELEVATION-TYPICAL ARCHITECTURAL FINISH

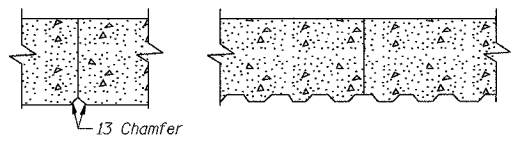


SECTION A-A

EXPANSION JOINT DETAIL



SUGGESTED FORMWORK DETAIL



CONSTRUCTION JOINT DETAIL

RUSTICATION LIMITS

STATION	TOP OF WALL ELEVATION	BOTTOM OF RUSTICATION ELEVATION
7+945.232	184.409	181.300
7+950.654	184.425	181.300
7+957.757	184.447	181.300
7+957.757	184.447	180.900
7+964.860	184.469	180.900
7+971.964	184.497	180.900
7+979.067	184.531	180.900
7+986.170	184.571	180.900
7+993.274	184.619	180.900
8+000.377	184.673	180.900
8+000.377	184.673	180.700
8+007.480	184.734	180.700
8+014.584	184.801	180.700
8+021.687	184.875	180.700
8+028.790	184.956	180.700
8+035.894	185.018	180.700
8+042.997	185.065	180.700
8+042.997	185.065	180.500
8+050.100	185.118	180.500
8+057.204	185.180	180.500
8+064.391	185.257	180.500
8+071.591	185.343	180.500
8+078.791	185.444	180.500
8+085.991	185.552	180.500
8+093.191	185.666	180.500
8+100.391	185.787	180.500
8+107.591	185.916	180.500
8+107.591	185.916	181.000
8+114.791	186.047	181.000
8+121.991	186.179	181.000
8+129.191	186.310	181.000
8+136.391	186.442	181.000
8+143.591	186.573	181.000
8+150.791	186.713	181.000
8+157.991	186.865	181.000
8+165.191	187.017	181.000
8+172.391	187.178	181.000
8+172.391	187.178	181.600
8+179.591	187.342	181.600
8+184.242	187.451	181.600
8+188.892	187.554	181.600
8+188.892	186.132	182.300
8+190.692	186.132	182.300
8+196.892	182.850	182.300

DESIGNED	KFA
CHECKED	BPS
DRAWN	MJB
CHECKED	GSP

BILL OF MATERIAL

Item	Unit	Total
Rustication Finish	m ²	1,173

Note: All dimensions are in millimeters (mm) unless otherwise noted.

ILLINOIS DEPARTMENT OF TRANSPORTATION
I-80/94/US 6
KINGERY-BORMAN EXPRESSWAY
BURNHAM ROAD TO US 41

RUSTICATION FINISH DETAILS
SECTION 2626.2-R-2
LAKE COUNTY, INDIANA
STATION 7+945.232 TO STATION 8+196.892
STRUCTURE NO. 016-W919

DATE 09/05

AMERICAN
CONSULTING ENGINEERS