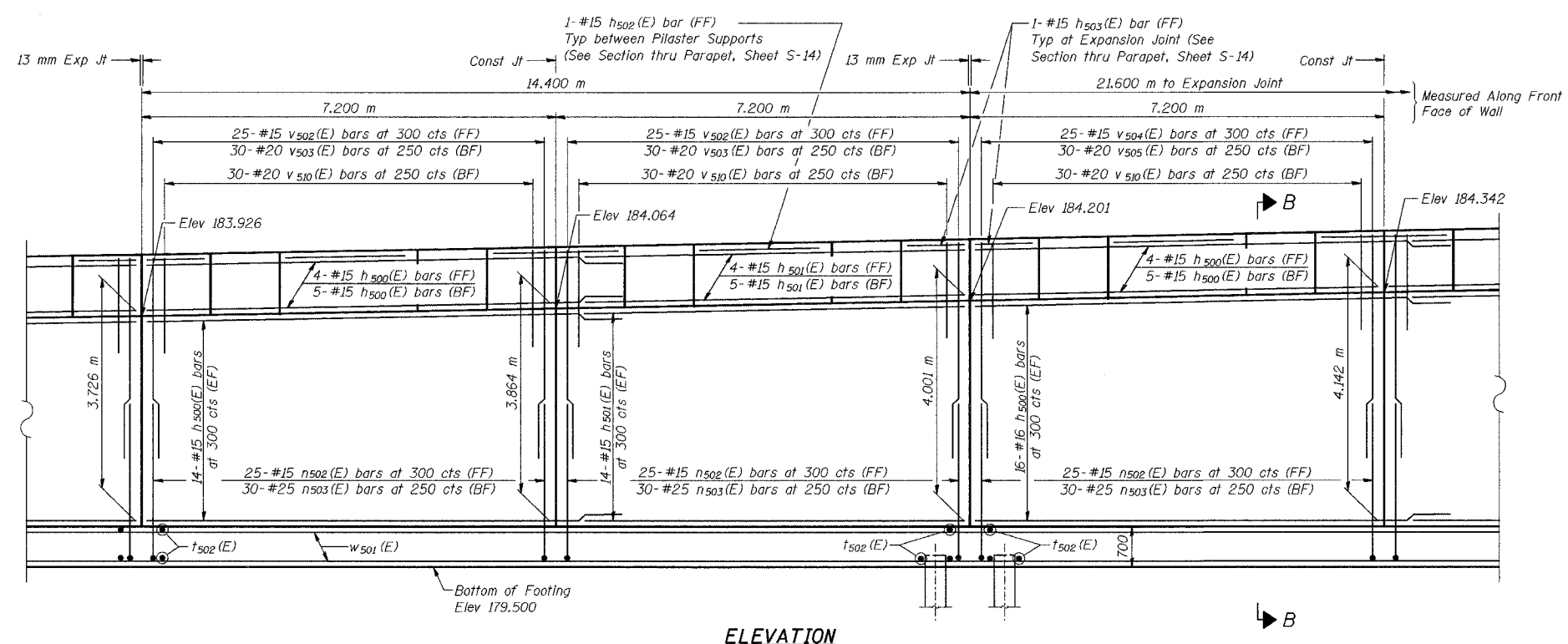
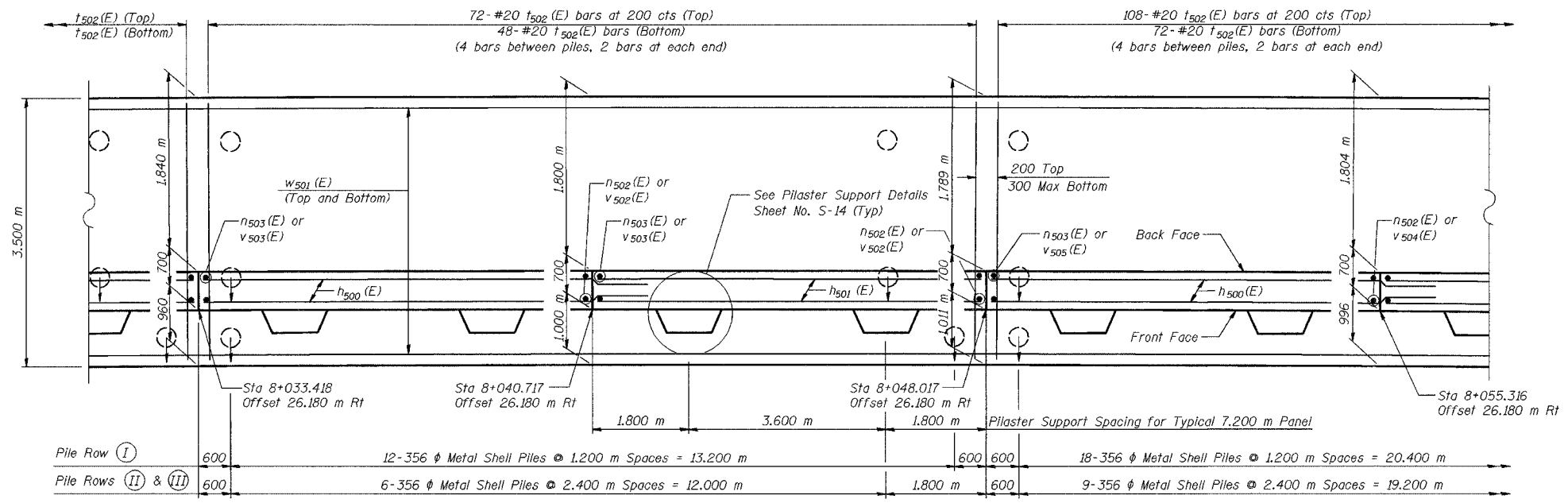


ROUTE NO.	SECTION	COUNTY	SHEET	SHEET NO. S-6
66/74	2626.2-R-1	LAKE COUNTY, INDIANA	1207	1068
ILLINOIS		INDOT PROJECT		

CONTRACT NO. 62114 INDOT DES. NO. 0100987



ELEVATION



FOOTING PLAN

MINIMUM BAR LAPS

#15 bars = 640
#20 bars = 790

LEGEND

BF = Back Face
FF = Front Face
EF = Each Face

DESIGNED	MJW
CHECKED	KFA
DRAWN	MJB
CHECKED	GSP

NOTES:

See Sheet S-14 for Section B-B, Expansion Joint Detail, and Bill of Material.
See Sheet S-15 for Rustication details.
Stations are referenced to \mathcal{E} I-80/94.
Reinforcement bars designated (E) shall be epoxy coated.
All dimensions are in millimeters (mm) except as noted.

ILLINOIS DEPARTMENT OF TRANSPORTATION
I-80/94/US 6
KINGERY-BORMAN EXPRESSWAY
BURNHAM ROAD TO US 41
PLAN AND ELEVATION (4 OF 11)
SECTION 2626.2-R-1
LAKE COUNTY, INDIANA
STATION 7+960.424 TO STATION 8+199.354
STRUCTURE NO. 016-W922
DATE 07/05



FOR INFORMATION ONLY