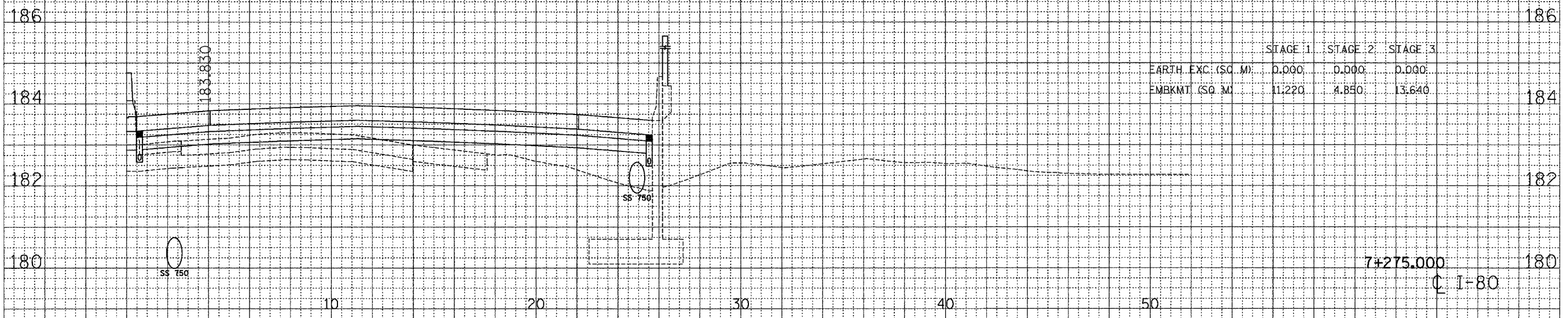


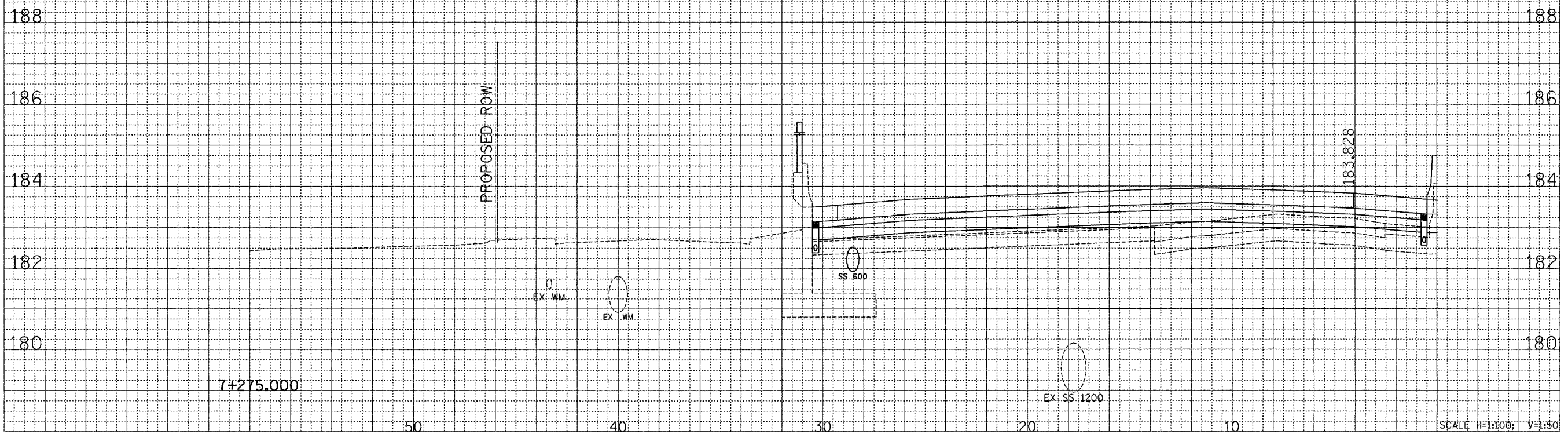
C I-80

F.A.I. RTE.	SECTION	COUNTY	TOTAL SHEETS	SHEET NO.
80/94	2626.2-R-2	COOK	1207	1102
STA.		TO STA.		
FED. ROAD DIST. NO.		ILLINOIS FED. AID PROJECT		
CONTRACT NO. 62114		INDOT DES. NO 0100987		

FINAL SURVEY	DATE
BY	
SURVEYED	
PLOTTED	
NOTE BOOK	
AREAS	
CHECKED	
NO.	



ORIGINAL SURVEY	DATE
BY	
SURVEYED	
PLOTTED	
NOTE BOOK	
AREAS	
CHECKED	
NO.	



CROSS SECTION - I-80/94/US 6

... \mehrus\us26611a.rvt 09/15/2005 09:46:30 AM