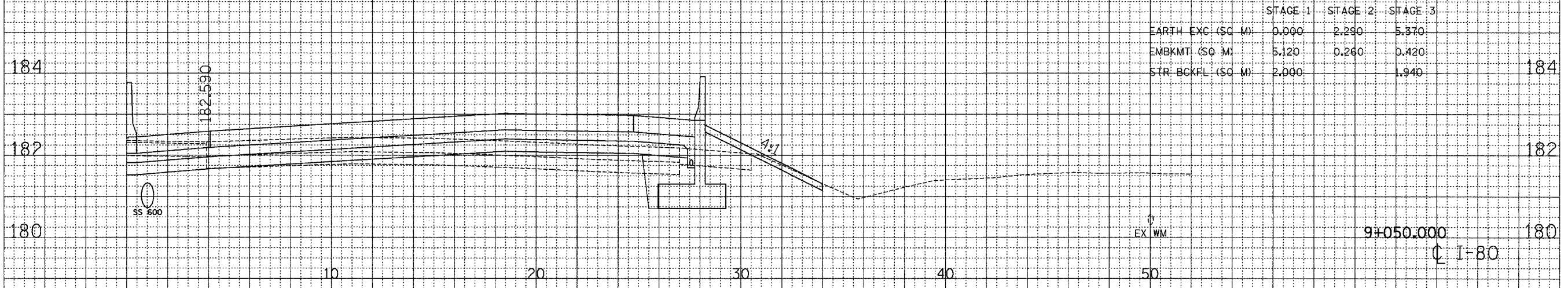


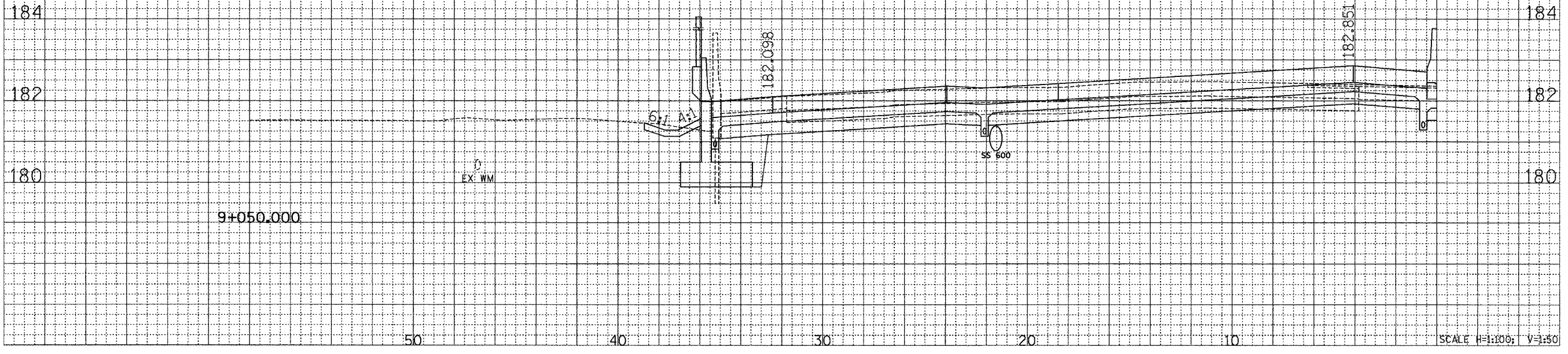
C I-80

F.A.I. RTE.	SECTION	COUNTY	TOTAL SHEETS	SHEET NO.
80/94	2626.2-R-2	COOK	1207	1193
STA.		TO STA.		
FED. ROAD DIST. NO.		ILLINOIS FED. AID PROJECT		
CONTRACT NO. 62114		INDOT DES. NO 0100987		

FINAL SURVEY	DATE
SURVEYED	BY
PLOTTED	
NOTE BOOK	
AREAS	
CHECKED	



ORIGINAL SURVEY	DATE
SURVEYED	BY
PLOTTED	
NOTE BOOK	
AREAS	
CHECKED	



CROSS SECTION - I-80/94/US 6

SCALE H=1:100; V=1:50

...:ibereva.us1600376.rds 03/14/2005 08:04:02 AM