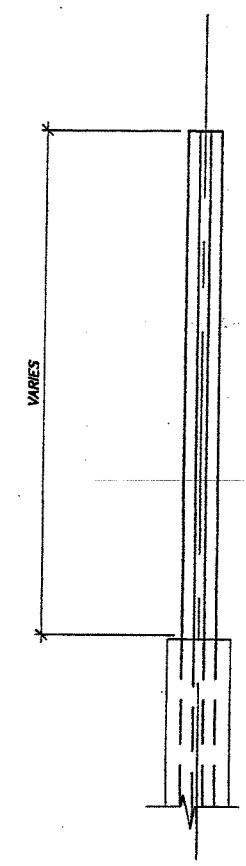
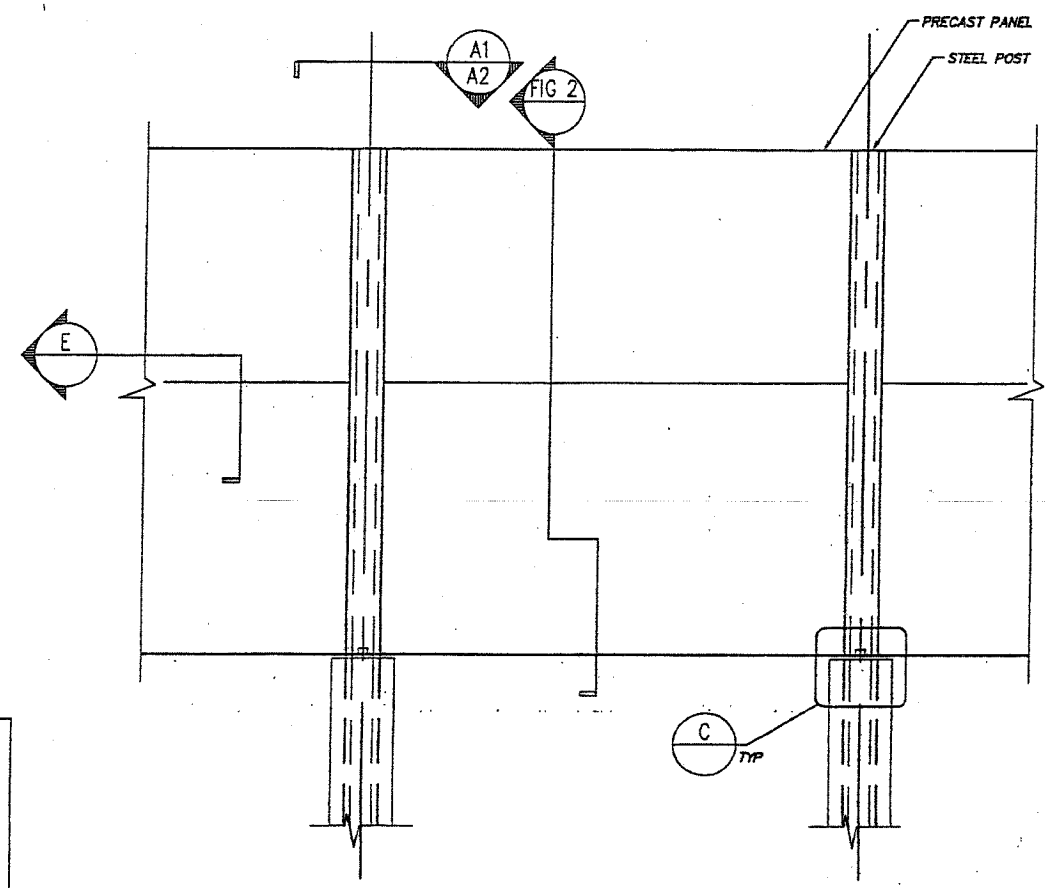


GROUND MOUNTED PRECAST NOISE WALL
INSTALLATION PROCEDURES

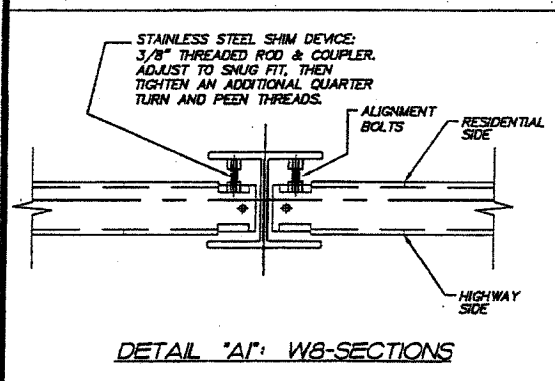


FOR INFORMATION ONLY

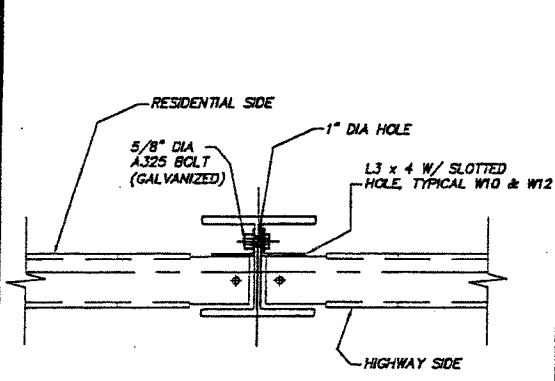
FIG. 1

FIG. 2

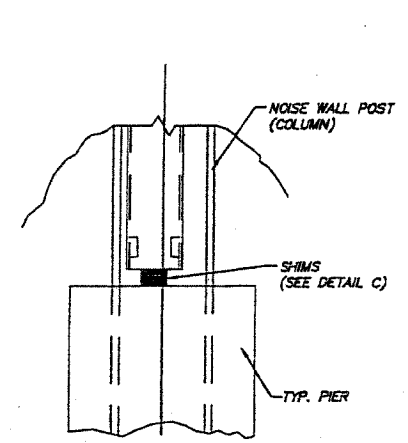
APPROVED
For Main Dimensions and
Materials Only
JUL 06 2001
Ralph E. Anderson
Director of Bridge and Traffic Structures



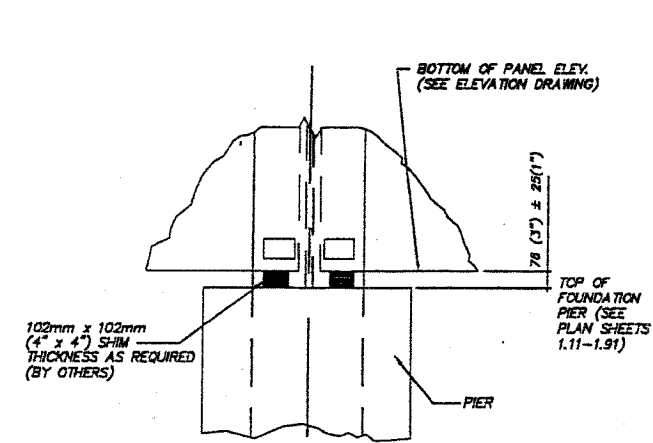
DETAIL "A1": W8-SECTIONS



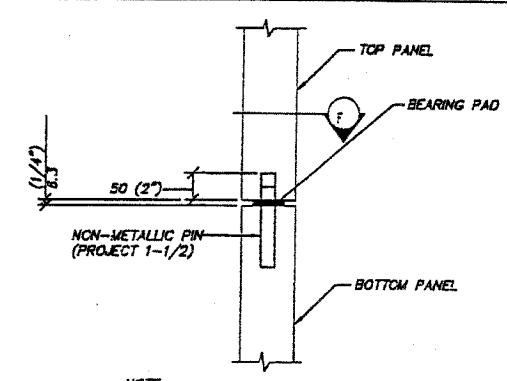
DETAIL "A2": W10, W12-SECTIONS



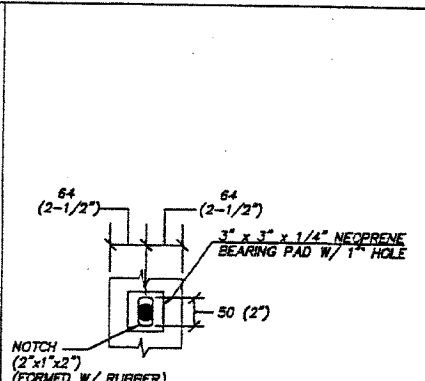
DETAIL "B"



DETAIL "C"



TYPICAL JOINT ALIGNMENT SECTION
SECTION "E"



SECTION "F"

DATE: 3-09-2001	SCALE: 1"=20'	PREPARED BY: PRESTRESS ENGINEERING CORPORATION	SMITH ENGINEERING CONSULTANTS, INC.
DRAWN BY: HAF	CHK BY: AGD	2220 ROUTE 178 PRAIRIE GROVE, IL 60012	1000 N. WILSON AVENUE, SUITE 201 PRAIRIE GROVE, IL 60012
SEC PROJECT NO. PWS-000733-14	SEC JOB NUMBER: SW7055	815-459-4545	815-459-8805
C-91-279-99		NOISE BARRIER-HILLSIDE INTERCHANGE COOK CO. I.	
CIP 1-99-5900		DRAWING HISTORY	
COMP. NUMBER 000733/1-5-4-01		1	1
		2	2
		3	3
		4	4
		5	5
		6	6
		7	7
		8	8
		9	9
		10	10
		11	11
		12	12
		13	13
		14	14
		15	15
		16	16
		17	17
		18	18
		19	19
		20	20
		21	21
		22	22
		23	23
		24	24
		25	25
		26	26
		27	27
		28	28
		29	29
		30	30
		31	31
		32	32
		33	33
		34	34
		35	35
		36	36
		37	37
		38	38
		39	39
		40	40
		41	41
		42	42
		43	43
		44	44
		45	45
		46	46
		47	47
		48	48
		49	49
		50	50
		51	51
		52	52
		53	53
		54	54
		55	55
		56	56
		57	57
		58	58
		59	59
		60	60
		61	61
		62	62
		63	63
		64	64
		65	65
		66	66
		67	67
		68	68
		69	69
		70	70
		71	71
		72	72
		73	73
		74	74
		75	75
		76	76
		77	77
		78	78
		79	79
		80	80
		81	81
		82	82
		83	83
		84	84
		85	85
		86	86
		87	87
		88	88
		89	89
		90	90
		91	91
		92	92
		93	93
		94	94
		95	95
		96	96
		97	97
		98	98
		99	99
		100	100

4.01