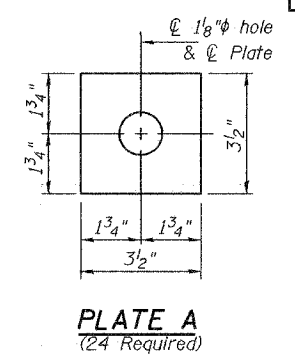
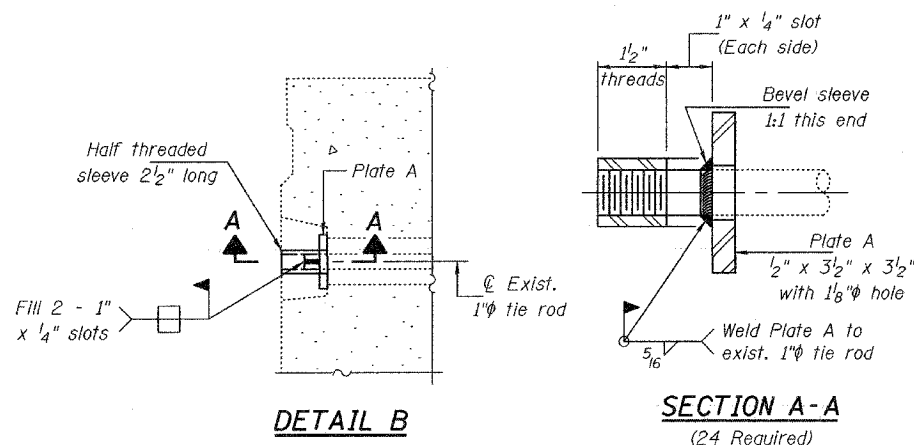


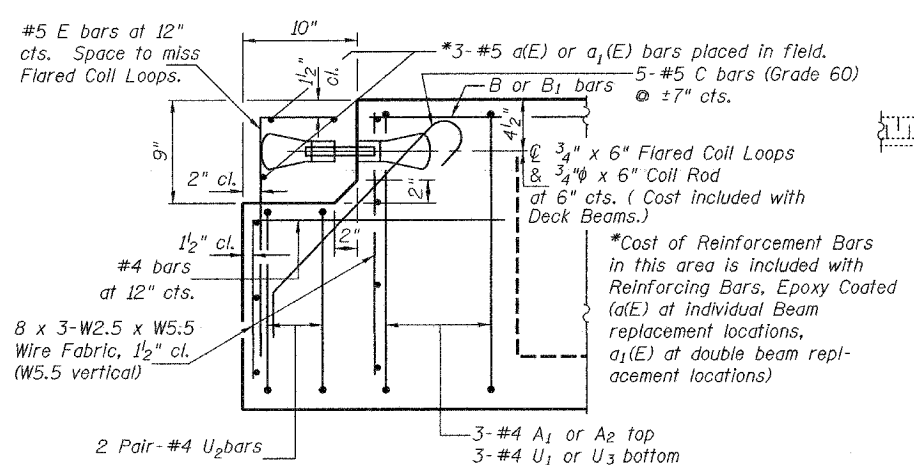
STATE OF ILLINOIS  
DEPARTMENT OF TRANSPORTATION

ROUTE NO.	SECTION	COUNTY	TOTAL SHEETS	SHEET NO.
		DuPage	14	14
FED. ROAD DIST. NO. 7		ILLINOIS		FED. AID PROJECT

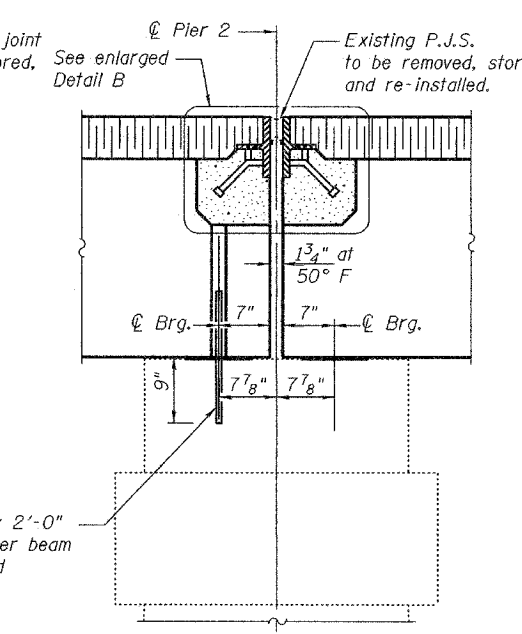
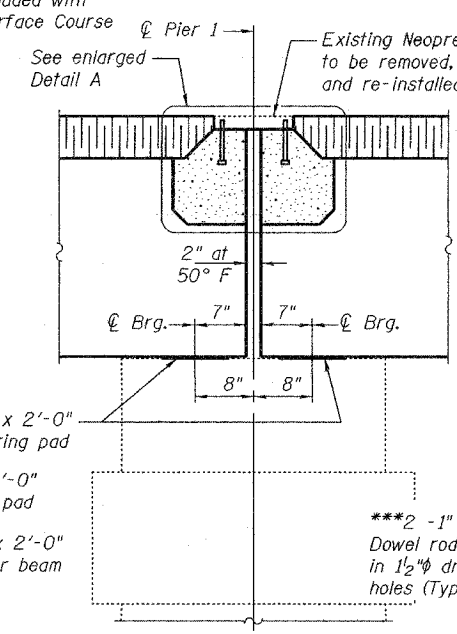
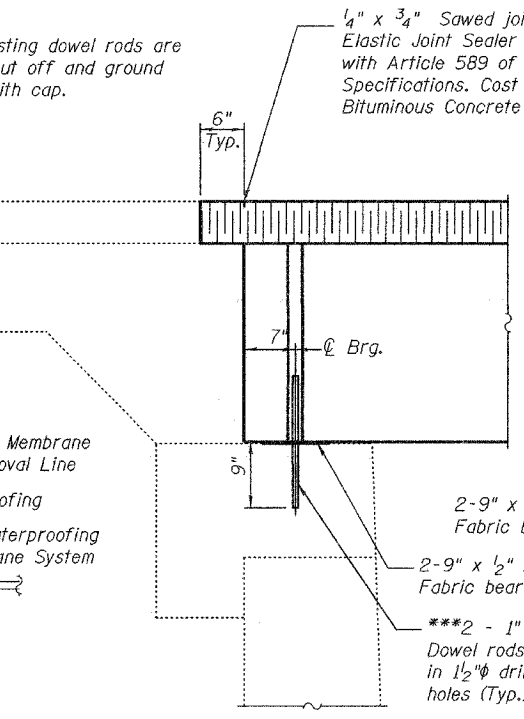
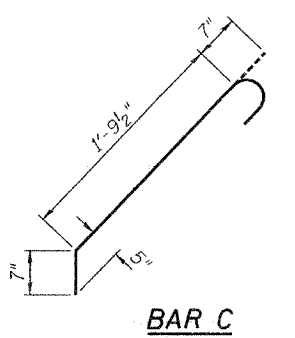
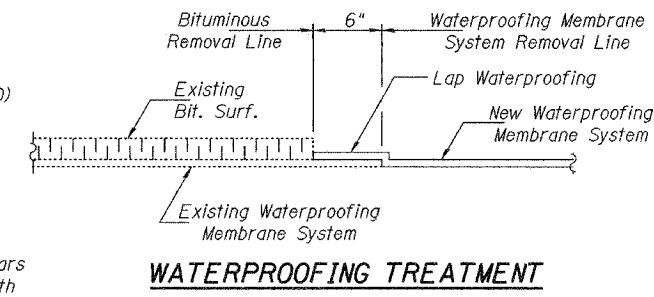
Contract Number: 62912



\*\*\*Existing dowel rods are to be cut off and ground flush with cap.



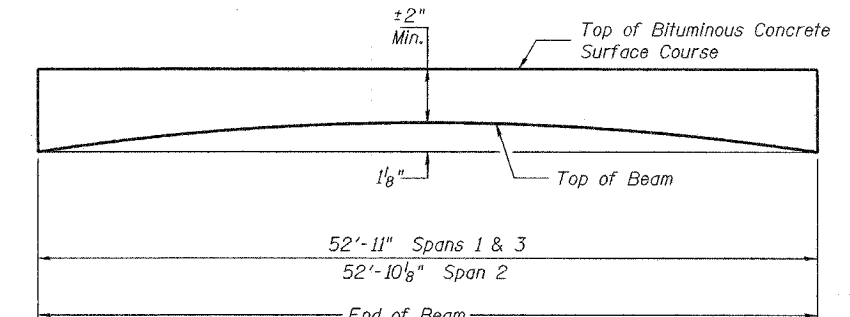
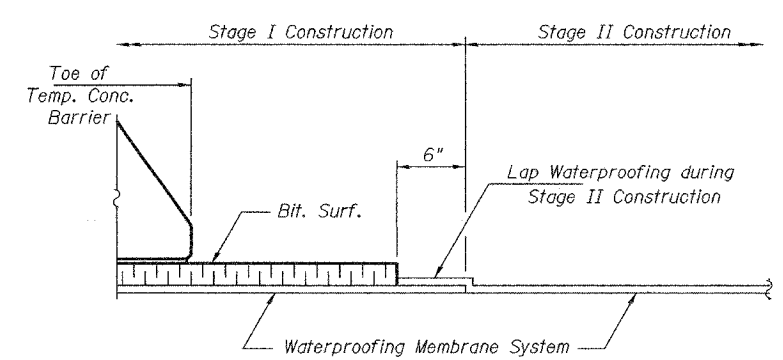
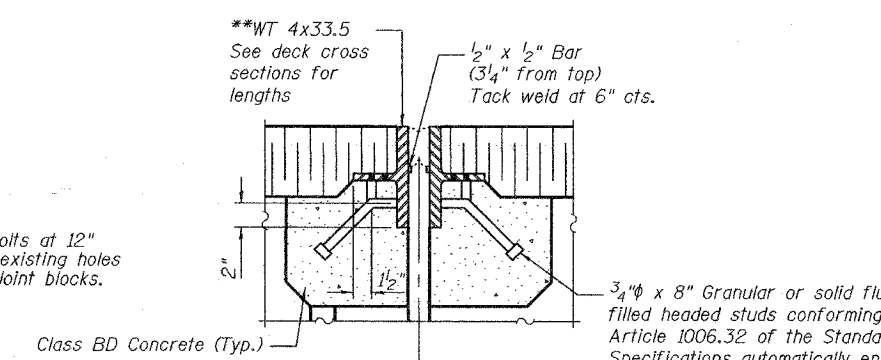
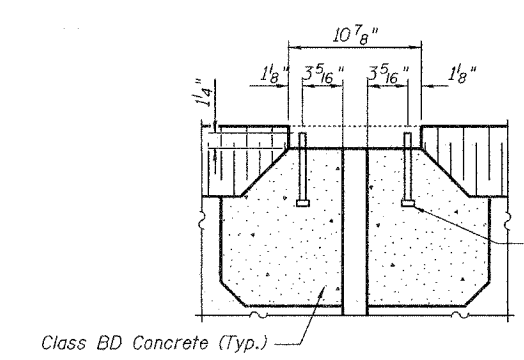
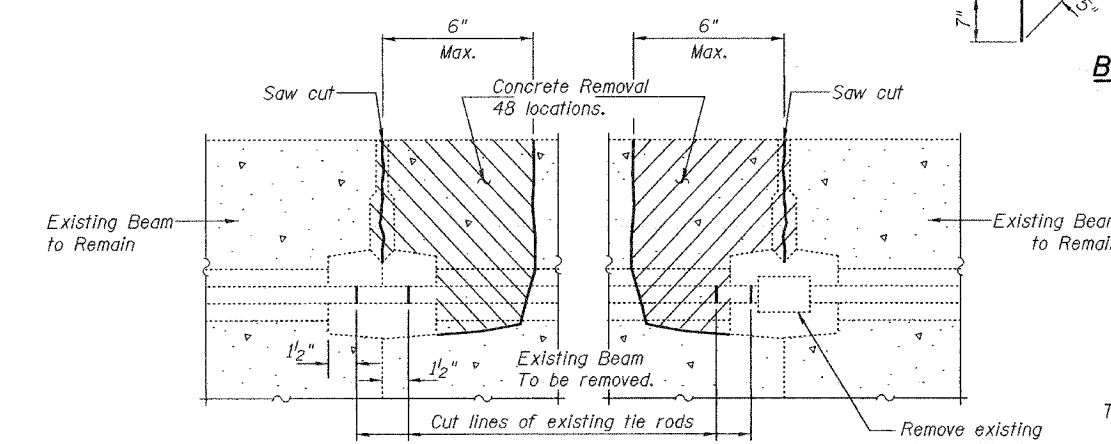
**END OF BEAM (EXP. END)**



**TYPICAL SECTION AT ABUTMENTS**

**TYPICAL SECTION AT PIER 1**

**TYPICAL SECTION AT PIER 2**



DESIGNED	V.H.V.	EXAMINED	John A. Morris ENGINEER OF STRUCTURAL SERVICES
CHECKED	A.T.H.	PASSED	Ralph E. Anderson ENGINEER OF BRIDGES AND STRUCTURES
DRAWN	Drew Christopher		
CHECKED	V.H.V. A.T.H.		

May 3, 2005

**BEAM DETAILS**  
**F.A.U. RT. 9877**  
**DUPAGE COUNTY**  
**SN 022-0084**