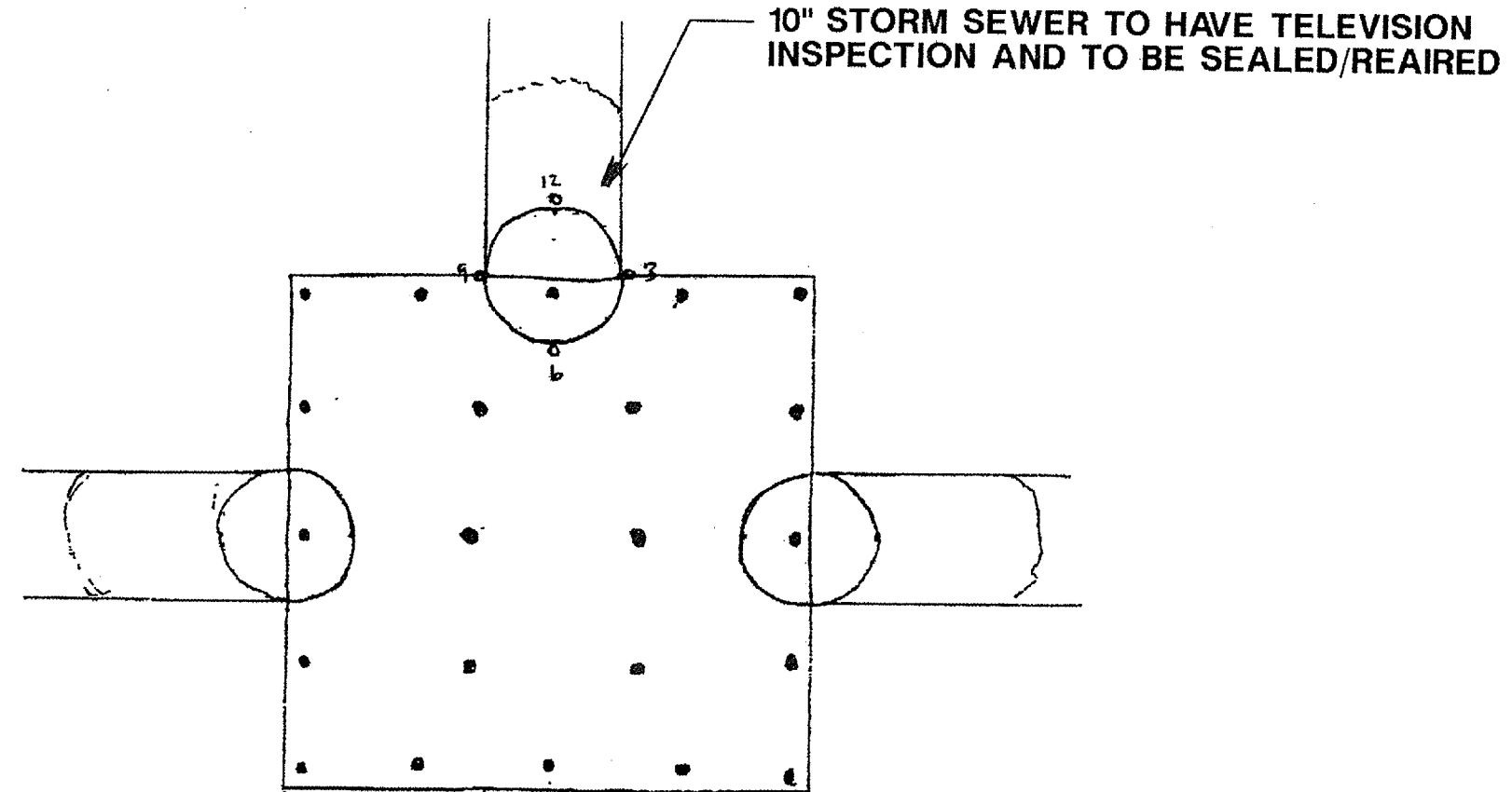
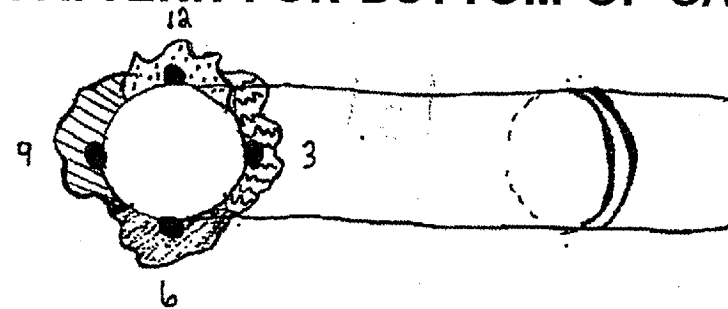


ROUTE	SECTION	COUNTY	TOTAL SHEETS	SHEET NUMBER
FAI 90/94	2005-018 T	COOK	12	11

CONTRACT 62942



INJECTION PATTERN FOR BOTTOM OF CATCH BASIN



INJECTION PATTERN FOR 10" S.S. TO BE SEALED

ILLINOIS DEPARTMENT OF TRANSPORTATION
**10" STORM SEWER AND
 BOTTOM OF CATCH BASIN
 INJECTION PATTERN**