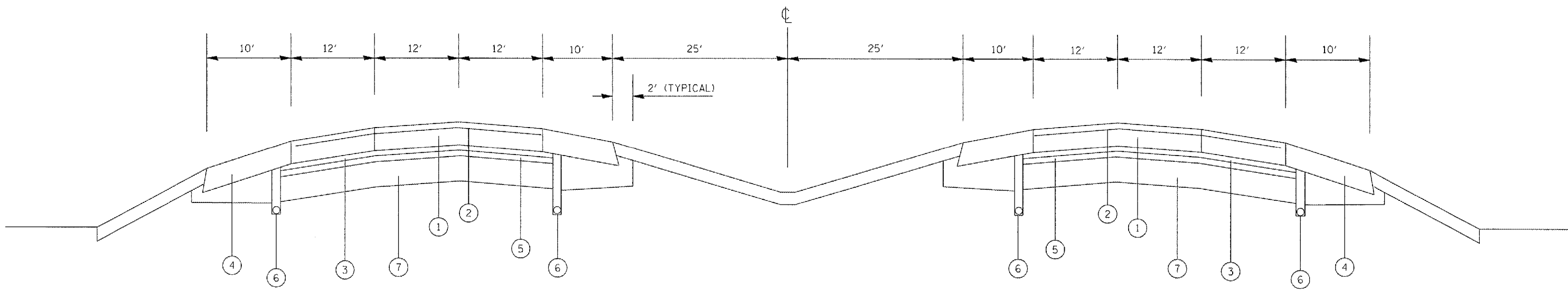
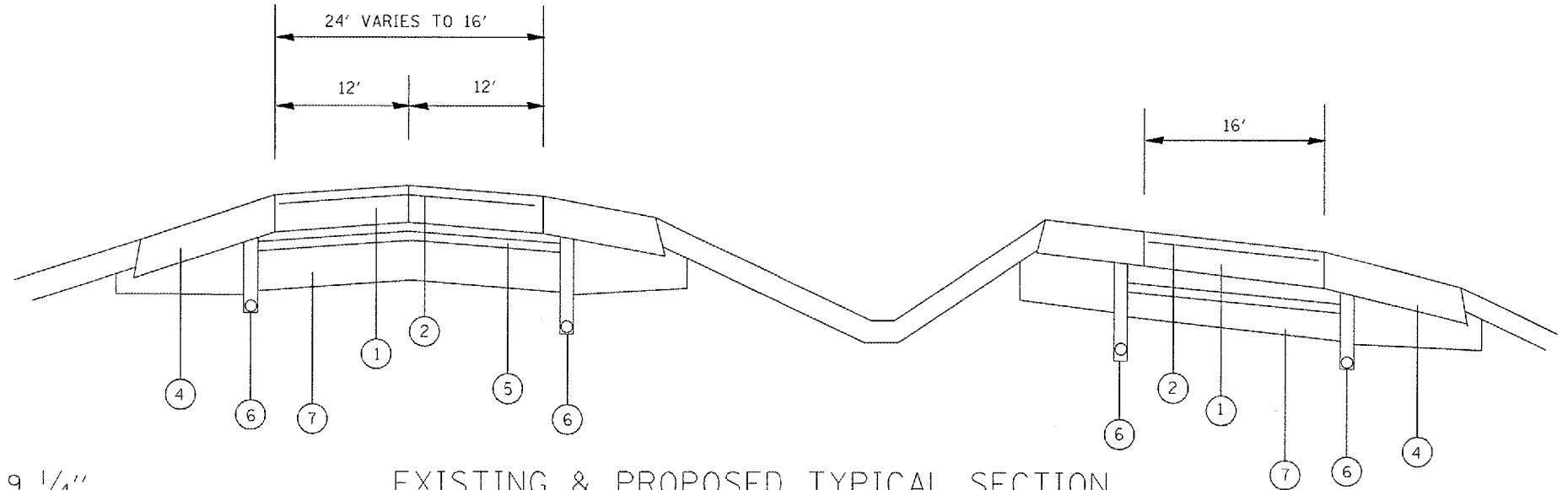


ROUTE	SECTION	COUNTY	TOTAL SHEETS	SHEET NUMBER
FAP 342	530CRC-PP	COOK	16	5



EXISTING & PROPOSED TYPICAL SECTION
IL RTE 53 EXTENSION



EXISTING & PROPOSED TYPICAL SECTION
IL RTE 53 EXTENSION
@ LAKE-COOK ROAD EXIT

LEGEND

- 1. CONTINUOUSLY REINFORCED P.C.CONCRETE PAVEMENT, 9 1/4"
- 2. PAVEMENT REINFORCEMENT, 9 1/4"
- 3. OPEN GRADED BITUMINOUS AGGREGATE MIXTURE
- 4. BITUMINOUS SHOULDER
- 5. SUB-BASE GRANULAR MATERIAL
- 6. PIPE UNDERDRAIN
- 7. POROUS GRANULAR EMBANKMENT

ILLINOIS DEPARTMENT OF
TRANSPORTATION

IL RTE 53 EXTENSION

TYPICAL SECTION