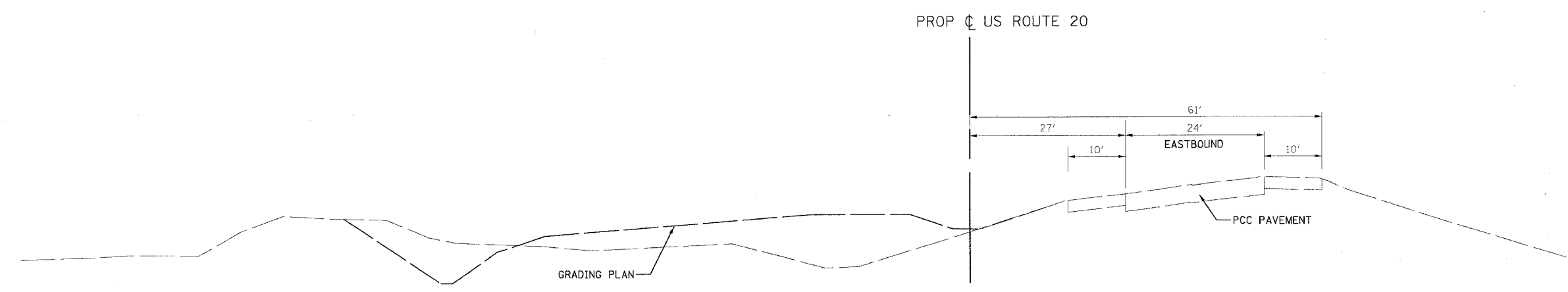
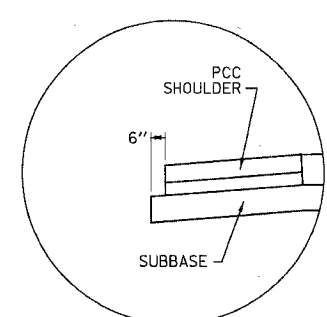


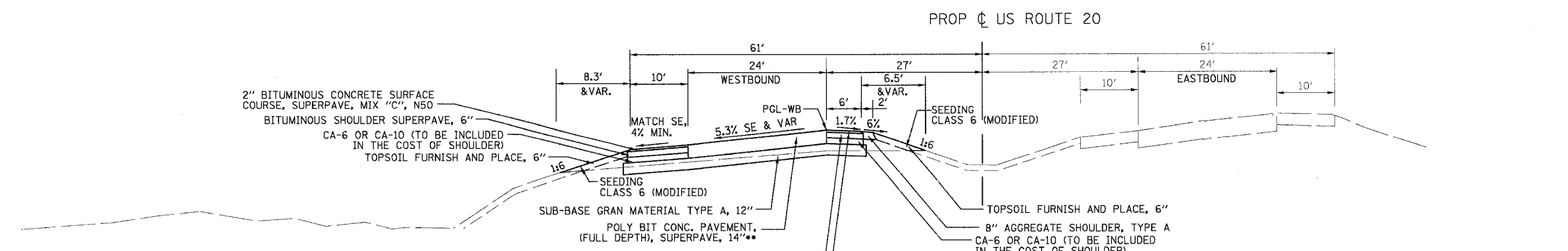
| CONTRACT NO. 64577 | | | | |
|-------------------------------------------------|---------|------------|--------------|-----------|
| F.A.P. RTE. | SECTION | COUNTY | TOTAL SHEETS | SHEET NO. |
| 301 | * | STEPHENSON | 290 | 12 |
| STA. TO STA. | | | | |
| FED. ROAD DIST. NO. 2 ILLINOIS FED. AID PROJECT | | | | |
| • 177-13, 4, 4-1-1 | | | | |



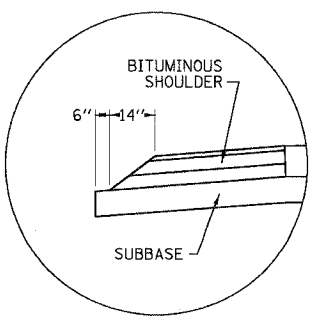
EXISTING TYPICAL SECTION
STATION 1942+50.00 TO STATION 1969+41.00



SUBBASE DETAIL UNDER PCC SHOULDERS

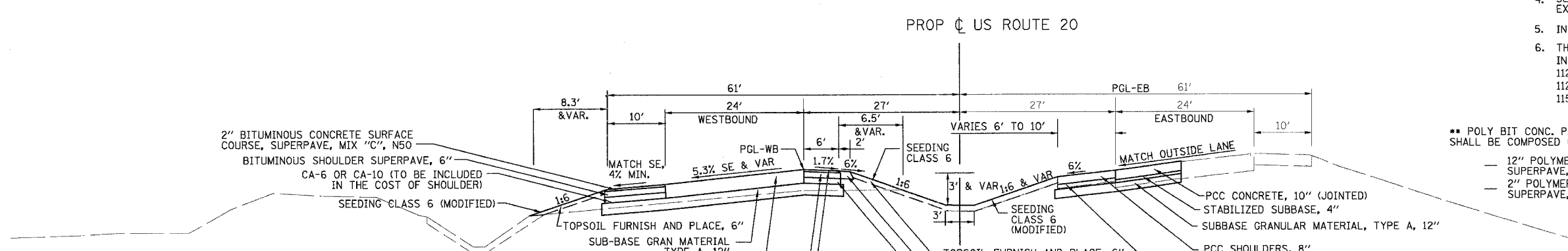


PROPOSED TYPICAL SECTION
STATION 1942+50.00 TO STATION 1957+00.00



SUBBASE DETAIL UNDER BITUMINOUS SHOULDER

- NOTES:**
1. THE CA-16 BACKFILL MATERIAL IN THE PIPE UNDERDRAIN TRENCH SHALL BE INCLUDED IN THE COST OF PIPE UNDERDRAIN AND PIPE UNDERDRAIN (SPECIAL)
 2. STANDARD DITCH IS 3' DEEP.
 3. FORESLOPE SHALL BREAK TO 1:3 WHEN IT EXTENDS MORE THAN 35' FROM PROPOSED EDGE OF PAVEMENT.
 4. SEE CROSS SECTIONS FOR AREAS OF TOPSOIL EXCAVATION AND PLACEMENT.
 5. IN AREAS OF ROCK CUT PLACE 12" OF TOPSOIL.
 6. THE FOLLOWING UNIT WEIGHTS WERE USED IN CALCULATING THE BITUMINOUS QUANTITIES:
112/LBS/SY/IN - SURFACE COURSE
112/LBS/SY/IN - BINDER COURSE
115/LBS/SY/IN - SUB-BASE GRANULAR MATERIAL



PROPOSED TYPICAL SECTION
STATION 1957+00.00 TO STATION 1969+41.00

** POLY BIT CONC. PAVEMENT, (FULL DEPTH), SUPERPAVE, 14" SHALL BE COMPOSED OF THE FOLLOWING TWO MIXES:
— 12" POLYMERIZED BITUMINOUS CONCRETE BINDER CSE, SUPERPAVE, IL-19, N90
— 2" POLYMERIZED BITUMINOUS CONCRETE SURFACE COURSE, SUPERPAVE, MIX "D", N90

PIPE UNDERDRAINS
STATION 1914+50 TO STATION 1942+50 BOTH SIDES OF WB PAVEMENT
STATION 1942+50 TO STATION 1969+41 LEFT SIDE ONLY OF WB PAVEMENT
STATION 1969+41 TO STATION 1982+00 BOTH SIDES OF WB PAVEMENT
STATION 1964+60 TO STATION 1969+50 LEFT SIDE ONLY OF EB PAVEMENT

EB INSIDE LANE STATION 1964+60.00 TO STATION 1969+41.00
EB INSIDE SHOULDER STATION 1964+60.00 TO STATION 1969+41.00

| REVISIONS | |
|-----------|---------|
| NAME | DATE |
| PRE-FINAL | 5/24/05 |
| | |
| | |
| | |
| | |
| | |
| | |
| | |
| | |
| | |

ILLINOIS DEPARTMENT OF TRANSPORTATION
TYPICAL SECTIONS
US ROUTE 20
SCALE: VERT. HORIZ.
DATE: 10/28/05
DRAWN BY: TVN
CHECKED BY: JAM