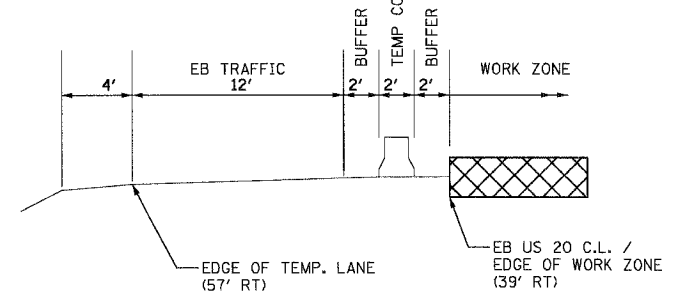
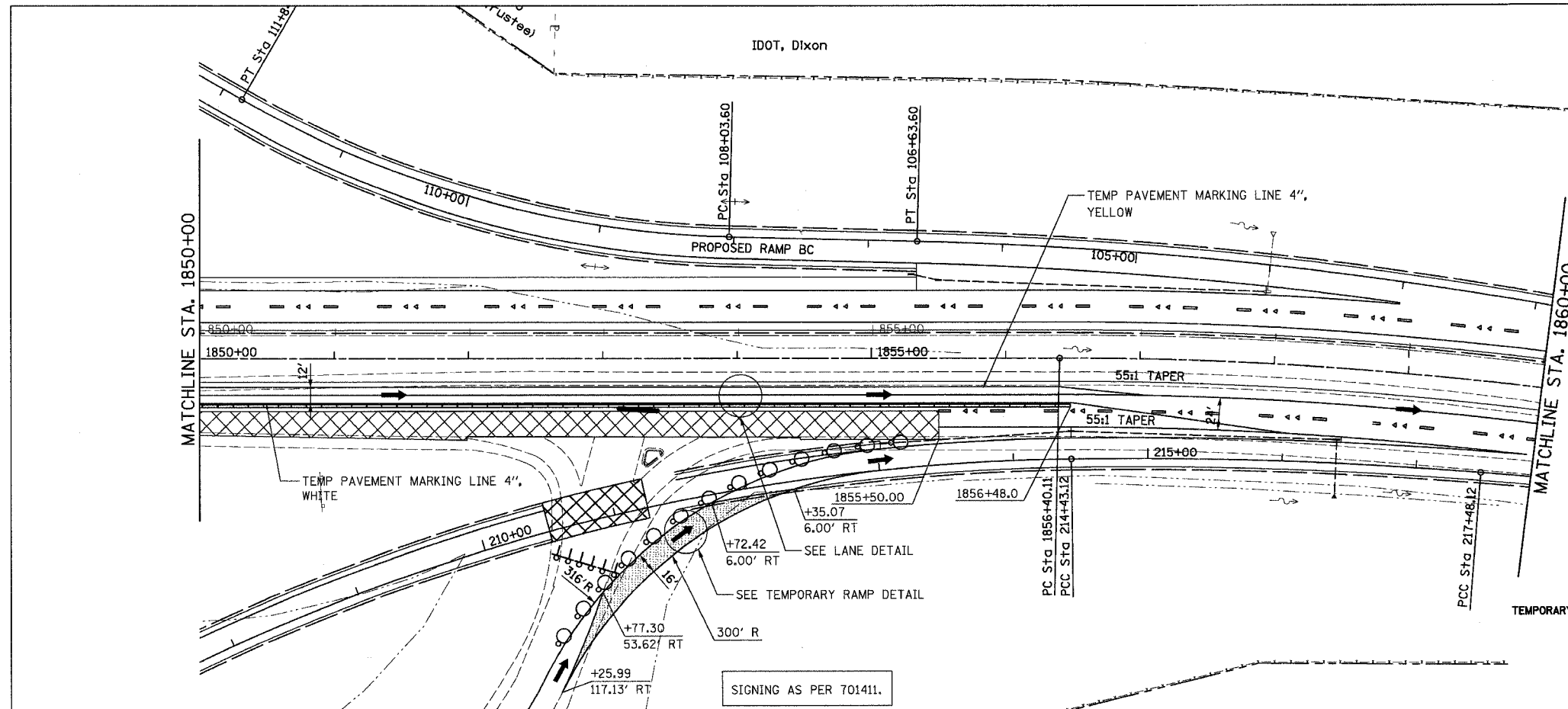
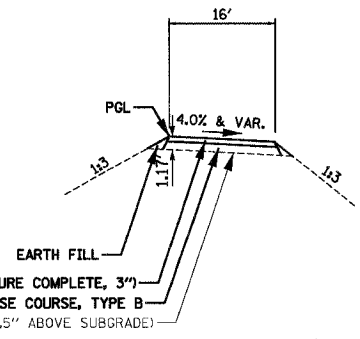


| F.A.P. RTE. | SECTION | COUNTY | TOTAL SHEETS | SHEET NO. |
|---|---------|------------|--------------|-----------|
| 301 | | STEPHENSON | 290 | 95 |
| STA. 1850+00 TO STA. 1870+00 | | | | |
| FED. ROAD DIST. NO. 2 ILLINOIS FED. AID PROJECT | | | | |

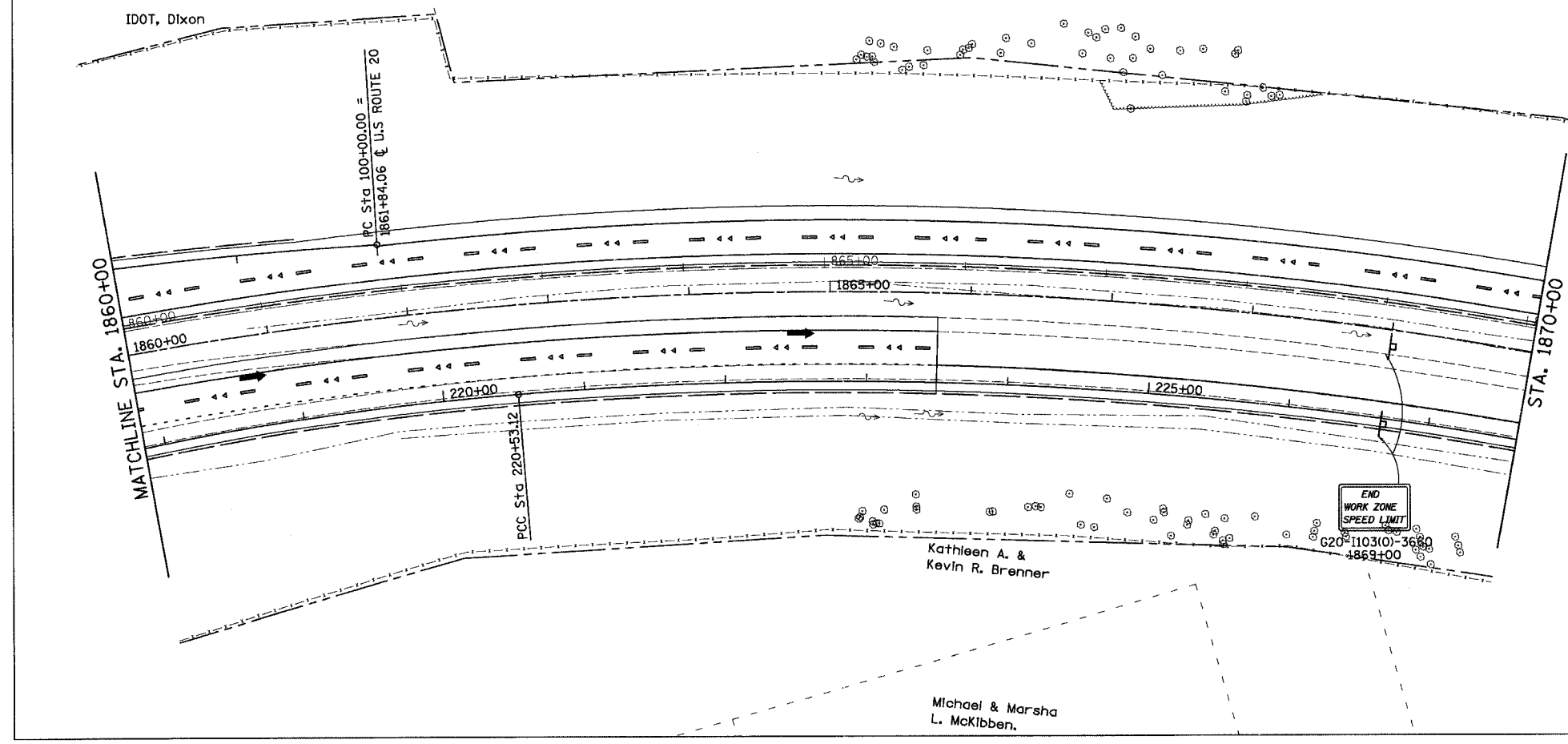


LANE DETAIL



TEMPORARY RAMP DETAIL

TEMPORARY PAVEMENT (BITUMINOUS MIXTURE COMPLETE, 3")
12" AGGREGATE BASE COURSE, TYPE B
GRADING LINE (4.5" ABOVE SUBGRADE)



LEGEND

- WORK AREA
- TEMP. PAVEMENT
- BARRICADE TY III WITH FLASHING LIGHTS
- BARRICADE TY II
- SIGN
- VERTICAL PANEL
- BARRICADE OR DRUM WITH STEADY BURN LIGHTS
- TRAFFIC FLOW
- FLASHING LIGHTS
- DIRECTION INDICATOR BARRICADE WITH STEADY BURN MONODIRECTIONAL LIGHT
- IMPACT ATTENUATOR
- TEMPORARY CONCRETE BARRIER

| REVISIONS | |
|------------|---------|
| NAME | DATE |
| WILL REEDY | 10/5/05 |
| | |
| | |
| | |
| | |
| | |
| | |
| | |
| | |

ILLINOIS DEPARTMENT OF TRANSPORTATION
CONSTRUCTION STAGING
U.S. ROUTE 20
STAGE III
STA. 1850+00 TO STA. 1870+00
SCALE: VERT. 1"=50'
HORIZ. 1"=50'
DATE 7/15/05
DRAWN BY MBT
CHECKED BY JC

Kathleen A. & Kevin R. Brenner

Michael & Marsha L. McKibben