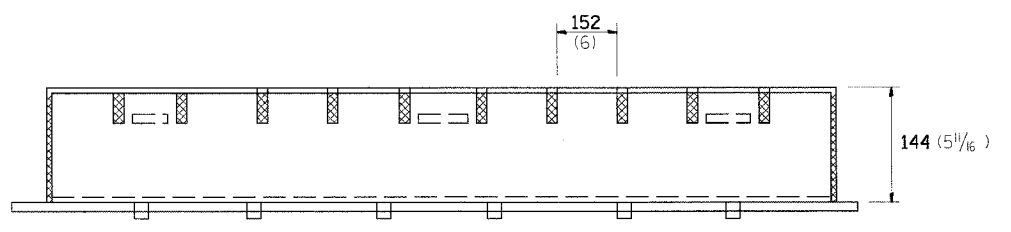
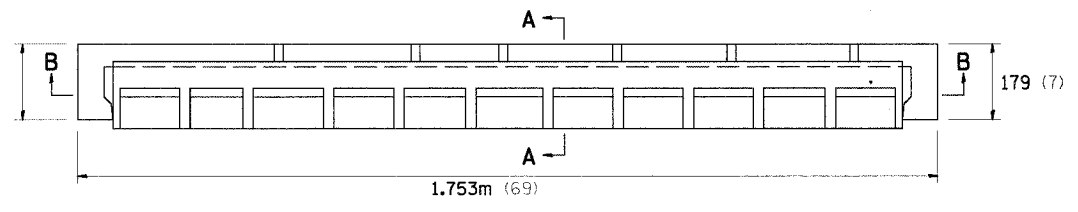
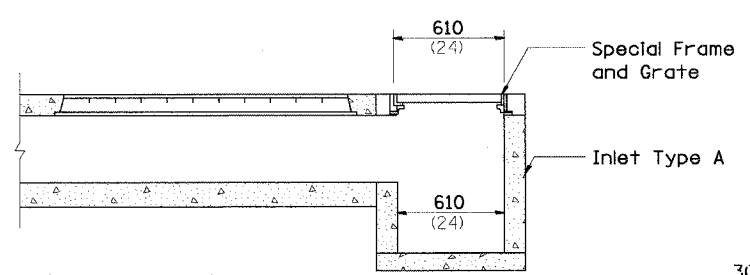


CONTRACT NO. 64577				
F.A.P. RTE.	SECTION	COUNTY	TOTAL SHEETS	SHEET NO.
301		STEPHENSON	290	138
STA.	TO STA.			
FED. ROAD DIST. NO.	ILLINOIS	FED. AID PROJECT		
• 177-3, 4, 4-1-1				

DETAIL OF SLOTTED VANE DRAIN 305 (12) WITH 152 (6) SLOT

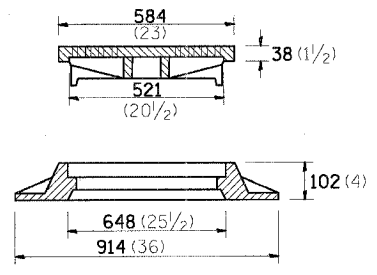
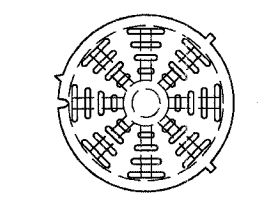


SECTION B-B



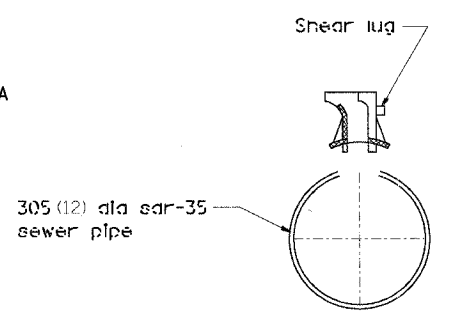
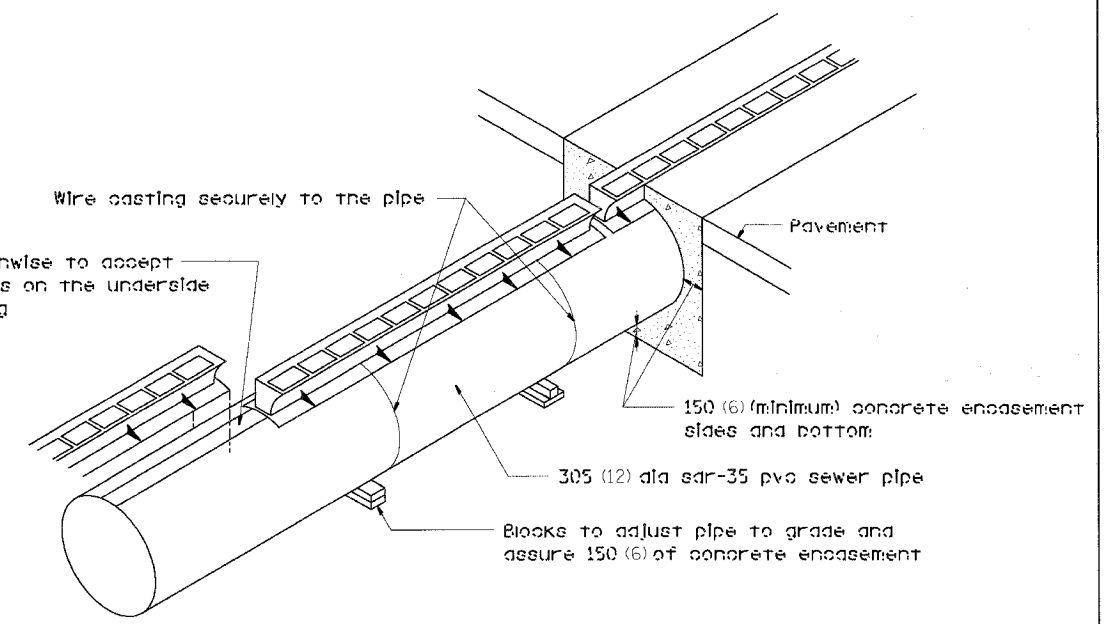
SIDE VIEW

SPECIAL FRAME AND GRATE



Total Weight 129 Kg. (285 Lbs.)

Slot out lengthwise to accept positioning lugs on the underside of the casting



SECTION A-A

GENERAL NOTES:

- Class SI concrete shall be used throughout.
- The contract unit price per foot for SLOTTED DRAIN 300 (12) w/150 (6) SLOT shall include the grate, class SI concrete, sdr-35 pvc 300(12) sewer pipe, blocks, wire and excavation.
- The Inlet TYPE A to be in accordance with Standard 1683.
- The contract unit price each for INLETS, TYPE A, WITH SPECIAL FRAME, OPEN LID shall include a Type A inlet and the special frame and grate detailed above.
- ALL DIMENSIONS ARE IN MILLIMETERS (INCHES) UNLESS OTHERWISE NOTED.

CHECKED BY:

DRAWN BY:

DESIGNED BY:

10/25/2005 11:07:24 AM