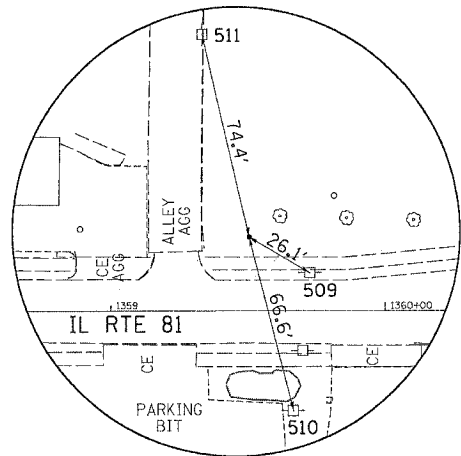
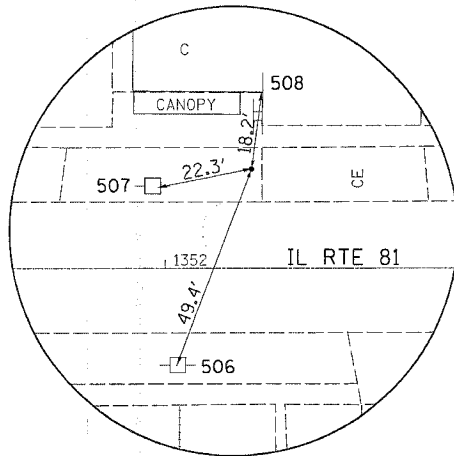


EXISTING HORIZONTAL & VERTICAL CONTROL

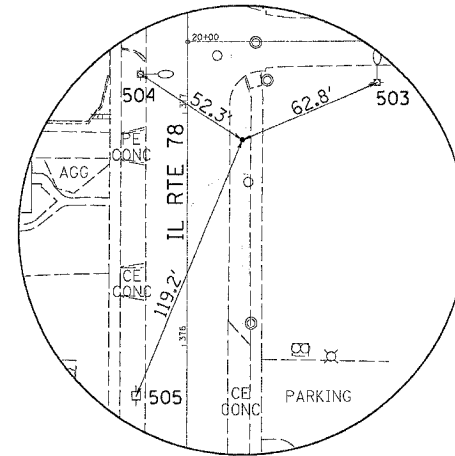
F.A.P. RTE.	SECTION	COUNTY	TOTAL SHEETS	SHEET NO.
22	GM&TS	HENRY	257	13
STA.		TO STA.		
FED. ROAD DIST. NO.		ILLINOIS FED. AID PROJECT		



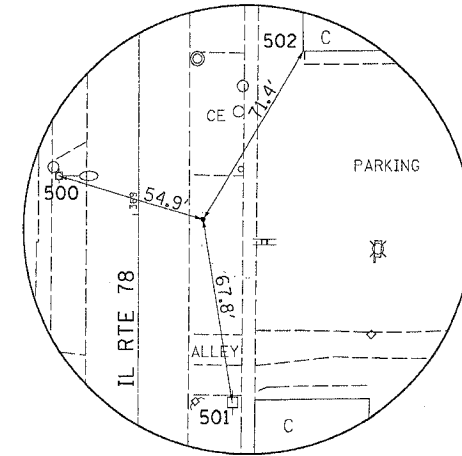
HORIZONTAL CONTROL POINT No. 1



HORIZONTAL CONTROL POINT No. 2



HORIZONTAL CONTROL POINT No. 3



HORIZONTAL CONTROL POINT No. 4

HORIZONTAL CONTROL POINTS							
POINT	NORTH	EAST	ELEVATION	CHAIN	STATION	OFFSET	DESCRIPTION
1	1669048.5540	2362909.4520	840.3960	IL81	1359+50.45	27.1576' LT	GPS CONTROL POINT, PIN
2	1669044.0050	2362179.2560	847.9120	IL81	1352+20.25	23.3717' LT	GPS CONTROL POINT, RAILROAD SPIKE
3	1669538.6690	2363103.1030	837.9040	IL78	376+88.40	23.5819' RT	GPS CONTROL POINT, PIN
4	1668748.7760	2363099.6070	841.7680	IL78	368+98.50	23.2811' RT	GPS CONTROL POINT, PIN

REFERENCE TIES				
POINT	CHAIN	STATION	OFFSET	DESCRIPTION
500	IL81	1360+88.00	256.7823' RT	POWER POLE WITH TRANSFORMER, SHINER
501	IL78	368+31.41	34.2905' RT	POWER POLE, SHINER
502	IL78	369+59.79	59.8314' RT	COMMERCIAL BUILDING, CORNER
503	IL78	377+13.18	81.3671' RT	POWER POLE WITH LIGHT, SHINER
504	IL81	1361+00.74	545.5218' LT	POWER POLE WITH LIGHT, SHINER
505	IL81	1360+98.87	406.9747' LT	POWER POLE WITH TRANSFORMER, SHINER
506	IL81	1352+02.63	22.7679' RT	POWER POLE, SHINER
507	IL81	1351+98.36	19.1516' LT	POWER POLE WITH TRANSFORMER, SHINER
508	IL81	1352+22.68	41.4472' LT	COMMERCIAL BUILDING, CORNER
509	IL81	1359+72.48	14.0436' LT	POWER POLE, SHINER
510	IL81	1359+66.52	36.2872' RT	POWER POLE WITH TRANSFORMER, SHINER
511	IL81	1359+33.33	100.7976' LT	POWER POLE WITH TRANSFORMER, SHINER

BENCH MARKS							
POINT	NORTH	EAST	ELEVATION	CHAIN	STATION	OFFSET	DESCRIPTION
400	1669153.3500	2363036.7200	838.8310	IL81	1360+77.83	131.8206' LT	BOLT, TOP
401	1669445.6800	2363131.2100	837.1630	IL78	375+95.52	52.0648' RT	SIGN FOUNDATION, CROSS CUT
402	1669067.3120	2362195.4450	849.9630	IL81	1352+36.46	46.6618' LT	FOUNDATION, CROSS CUT
403	1669189.3530	2361784.8060	843.7790	IL81	1348+25.67	168.8226' LT	WALL, CROSS CUT
404	1668993.9130	2361268.1890	828.4340	IL81	1343+09.18	26.9474' RT	RETAINING WALL, CROSS CUT
405	1668739.5920	2363121.4920	843.5280	IL78	368+89.40	45.2030' RT	SIGN FOUNDATION, CROSS CUT

SURVEY WORK POINTS							
POINT	NORTH	EAST	ELEVATION	CHAIN	STATION	OFFSET	DESCRIPTION
100	1669001.9770	2362086.7570	848.7250	IL81	1351+27.71	18.5596' RT	SURVEY POINT, PIN
101	1669000.3120	2362479.9720	846.0490	IL81	1355+20.92	20.6355' RT	SURVEY POINT, NAIL
102	1668978.7280	2363301.2860	838.9230	IL78	371+29.26	224.0282' RT	SURVEY POINT, NAIL
103	1669012.9800	2363512.8110	838.9510	IL78	371+64.37	435.4130' RT	SURVEY POINT, NAIL
104	1670119.4170	2363056.4620	839.7740	IL81	1360+98.58	1097.8664' LT	SURVEY POINT, PIN
105	1669737.9860	2363056.0910	839.4960	IL81	1360+97.81	716.4360' LT	SURVEY POINT, PIN
106	1669234.5780	2363052.5290	836.9970	IL81	1360+93.72	213.0320' LT	SURVEY POINT, PIN
107	1668202.6790	2363042.1430	849.2790	IL81	1360+82.26	818.8556' RT	SURVEY POINT, PIN
108	1668995.6280	2361999.1000	847.4520	IL81	1350+40.04	24.8170' RT	SURVEY POINT, NAIL
109	1669000.1280	2361906.7540	845.0470	IL81	1349+47.74	20.3245' RT	SURVEY POINT, NAIL
110	1668975.2870	2361714.0240	841.0550	IL81	1347+55.02	45.2886' RT	SURVEY POINT, NAIL
111	1669053.9980	2361593.9520	834.7640	IL81	1346+34.90	33.3457' LT	SURVEY POINT, NAIL
112	1669043.2050	2362697.6250	841.3990	IL81	1357+38.62	22.0300' LT	SURVEY POINT, NAIL
113	1668986.2330	2362414.7240	846.2920	IL81	1354+55.66	34.6463' RT	SURVEY POINT, NAIL
114	1668837.0110	2362632.6640	844.2930	IL81	1356+73.44	184.0960' RT	SURVEY POINT, NAIL
115	1669198.1730	2362419.2820	845.8540	IL81	1354+60.44	177.2888' LT	SURVEY POINT, PK NAIL
116	1669043.9810	2361385.3640	830.2780	IL81	1344+26.32	23.1954' LT	SURVEY POINT, PIN
117	1669128.3170	2361332.3680	821.9380	IL81	1343+73.27	107.4976' LT	SURVEY POINT, CHISELED "X"
118	1669218.6050	2361066.9340	806.7810	IL81	1341+07.78	197.6160' LT	SURVEY POINT, NAIL
119	1669001.1040	2361000.1390	814.4140	IL81	1340+41.12	19.9276' RT	SURVEY POINT, PIN

APPARENT PROPERTY CORNERS							
POINT	NORTH	EAST	ELEVATION	CHAIN	STATION	OFFSET	DESCRIPTION
700	1669042.3080	2362500.6400	845.4170	IL81	1355+41.63	21.3389' LT	PROPERTY CORNER, PIPE
701	1669042.3650	2362542.9440	844.4320	IL81	1355+83.94	21.3517' LT	PROPERTY CORNER, PIPE
702	1668999.7340	2362706.8510	841.8130	IL81	1357+47.80	21.4506' RT	PROPERTY CORNER, PIPE
703	1668804.2110	2362623.2790	844.9060	IL81	1356+64.02	216.8862' RT	PROPERTY CORNER, PIN
704	1668834.6670	2362703.4590	843.8310	IL81	1357+44.23	186.5140' RT	PROPERTY CORNER, PIPE
705	1668882.7830	2362477.1970	846.6070	IL81	1355+18.02	138.1615' RT	PROPERTY CORNER, PIN
706	1669265.2480	2362442.6810	844.8750	IL81	1354+83.91	244.3393' LT	PROPERTY CORNER, PIPE
707	1669054.5320	2362292.9770	847.8430	IL81	1353+33.98	33.7799' LT	PROPERTY CORNER, PINCH PIPE
708	1669055.1050	2362263.7170	847.8000	IL81	1353+04.72	34.3835' LT	PROPERTY CORNER, PIPE
709	1668987.3070	2361912.1130	845.7030	IL81	1349+53.10	33.1420' RT	PROPERTY CORNER, PIPE
710	1668987.6750	2362011.9150	847.8950	IL81	1350+52.85	32.7833' RT	PROPERTY CORNER, PIPE
711	1668988.5150	2362211.5920	848.1610	IL81	1352+52.53	32.1520' RT	PROPERTY CORNER, PIN
712	1668988.1380	2362311.3110	847.5790	IL81	1353+52.25	32.6332' RT	PROPERTY CORNER, RAILROAD SPIKE
713	1669324.7410	2362442.5530	844.4680	IL81	1354+83.84	303.8324' LT	PROPERTY CORNER, PIPE
714	1668655.5970	2363038.6240	842.8210	5THST	899+63.14	39.6608' LT	BLOCK CORNER, PIN
715	1668654.0610	2362622.0760	846.8140	5THST	895+46.51	41.1127' LT	BLOCK CORNER, CHISELED "X"
716	1668652.6910	2362409.0340	847.7680	5THST	893+33.46	40.9636' LT	BLOCK CORNER, PIN
717	1668652.0550	2362311.8780	848.5130	5THST	892+36.31	40.8844' LT	PROPERTY CORNER, PIN
718	1668650.6600	2362110.6860	849.4190	5THST	890+35.11	40.6425' LT	PROPERTY CORNER, PIN
719	1668650.0670	2362050.3560	849.4910	5THST	889+74.78	40.3952' LT	PROPERTY CORNER, PIN
720	1668650.0480	2362010.2470	849.5860	5THST	889+34.67	40.6061' LT	PROPERTY CORNER, PIPE
721	1668649.7520	2361960.0490	849.6010	5THST	888+84.47	40.5978' LT	PROPERTY CORNER, PIN
722	1668648.5180	2361777.1710	849.4570	5THST	887+01.59	40.4119' LT	BLOCK CORNER, PIN
723	1668569.7090	2361964.6000	849.3870	5THST	888+88.56	39.4700' RT	PROPERTY CORNER, PIPE
724	1668570.1030	2362032.3580	849.0970	5THST	889+56.32	39.4643' RT	PROPERTY CORNER, PIN
725	1668570.5780	2362155.8570	848.9530	5THST	890+79.82	39.6971' RT	PROPERTY CORNER, PIPE
726	1668571.4560	2362219.5890	848.7490	5THST	891+43.56	39.1843' RT	BLOCK CORNER, PIN
727	1668571.9900	2362299.7090	848.4640	5THST	892+23.68	39.1095' RT	BLOCK CORNER, PK NAIL
728	1668574.0150	2362621.3110	847.0220	5THST	895+45.29	38.9276' RT	BLOCK CORNER, PK NAIL
729	1668573.1830	2362701.3610	846.6290	5THST	896+25.33	40.2183' RT	BLOCK CORNER, PIN
730	1668575.6770	2363037.6530	844.3580	5THST	899+61.56	40.2495' RT	BLOCK CORNER, CHISELED "X"
731	1668988.6380	2361714.2760	840.3280	5THST	886+40.64	380.8867' LT	BLOCK CORNER, PIN

DATE-TIME
 DON-SPEC
 REF01
 REF04
 REF05
 REF