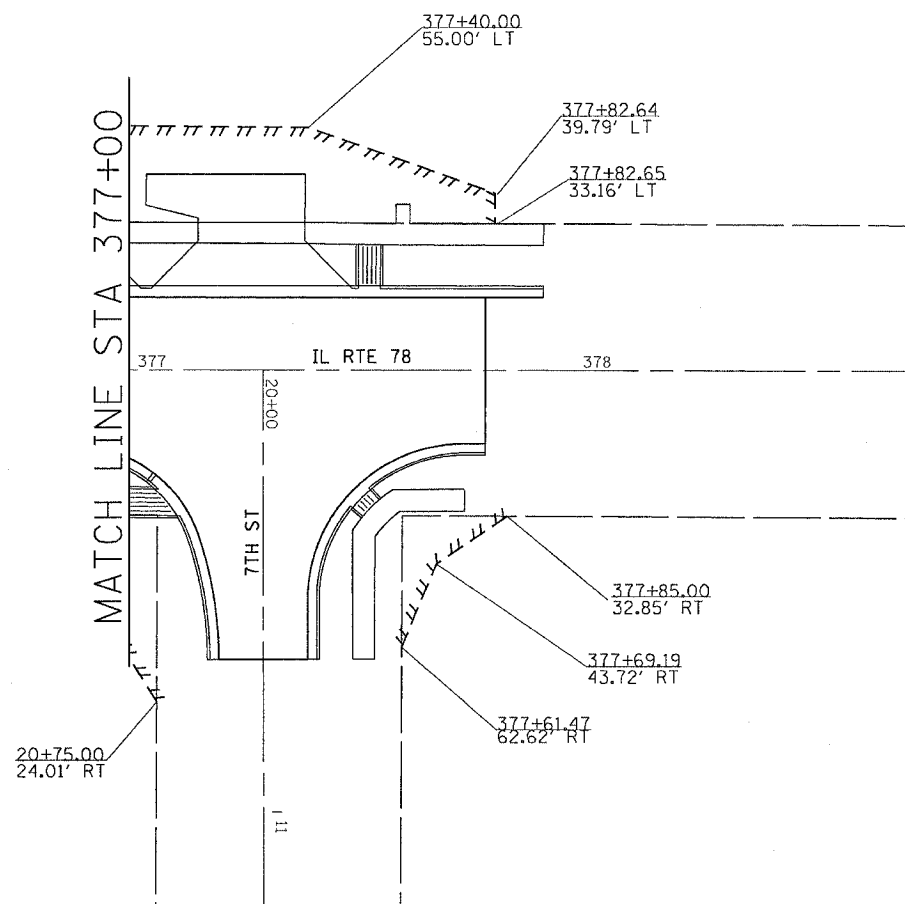


# R.O.W & EASEMENT DETAILS

F.A. PI RTE.	SECTION	COUNTY	TOTAL SHEETS	SHEET NO.
22	6M & TS	HENRY	257	111
STA.		TO STA.		
FED. ROAD DIST. NO.		ILLINOIS	FED. AID PROJECT	



PLOT DATE = Thu Dec 27 09:16:33 2005  
 PLOT NAME = \\s01b06\p101000-ww.dgn  
 PLOT SCALE = 20.0000 / IN.  
 REFERENCE = #REF#

REVISIONS	
NAME	DATE

ILLINOIS DEPARTMENT OF TRANSPORTATION

SCALE: VERT.  
 HORIZ.  
 DATE

DRAWN BY  
 CHECKED BY