

F.A.P. RTE.	SECTION	COUNTY	TOTAL SHEETS	SHEET NO.
22	6M&TS	HENRY	257	118
STA.		TO STA.		
FED. ROAD DIST. NO.		ILLINOIS FED. AID PROJECT		

TRAFFIC SIGNAL DETAILS

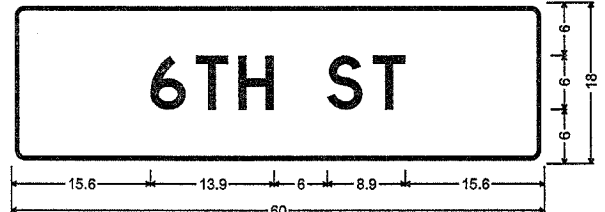
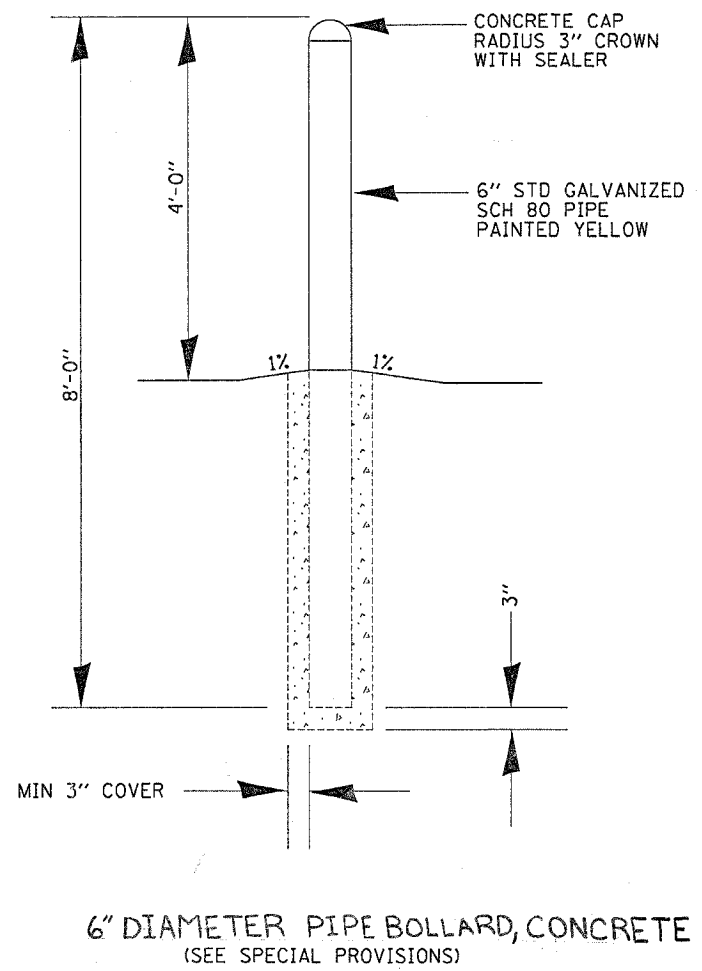
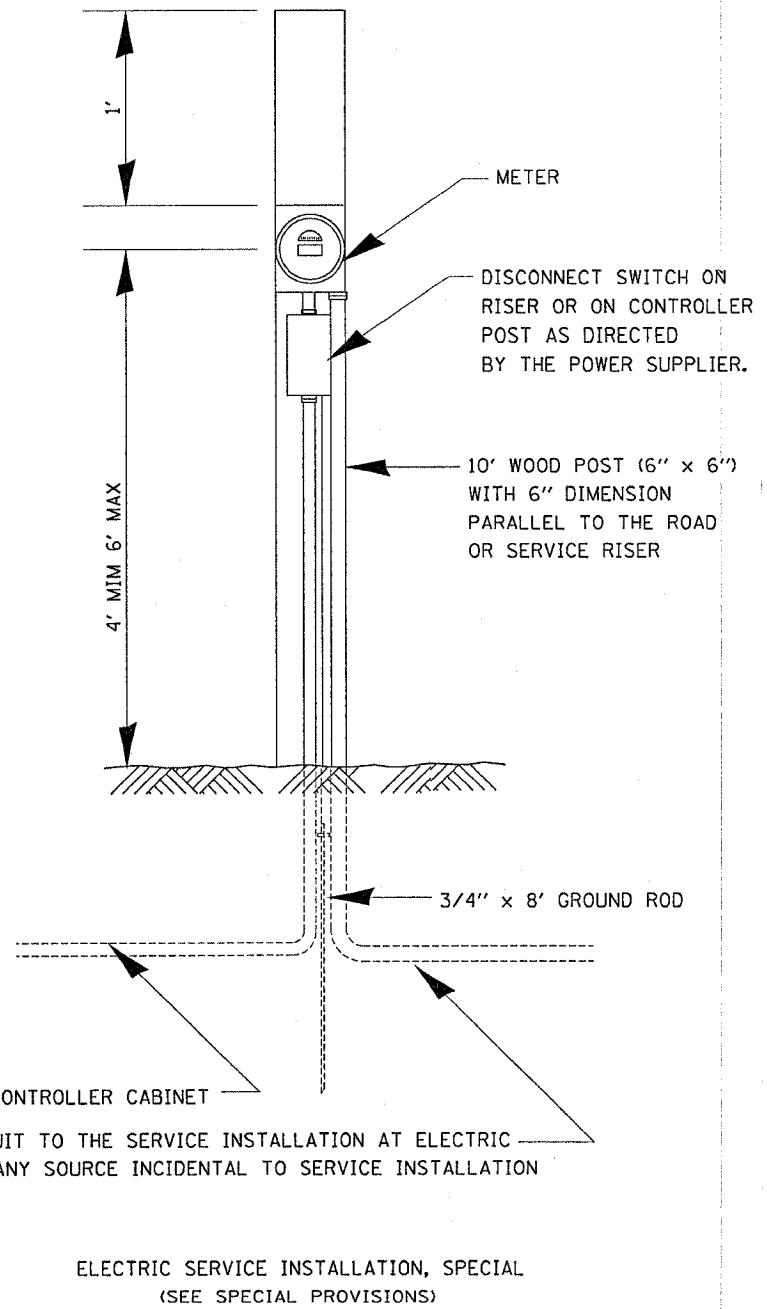


Table of letter and object lefts.

6	T	H	S	T
15.6	20.7	25.5	35.5	40.7

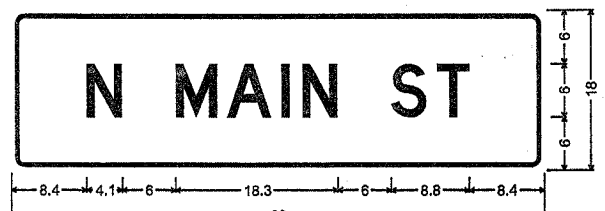


Table of letter and object lefts.

N	M	A	I	N	S	T
8.4	18.5	24.2	30.4	32.7	42.8	47.9

PLOT DATE = Fri Aug 12 14:56:16 2005
 FILE NAME = C:\p\proj\64640\118.dgn
 PLOT SCALE = 28.4000 1/1 IN.
 REFERENCE = REF#

REVISIONS	
NAME	DATE

ILLINOIS DEPARTMENT OF TRANSPORTATION

SCALE: VERT. _____
 HORIZ. _____

DATE _____ DRAWN BY _____
 CHECKED BY _____