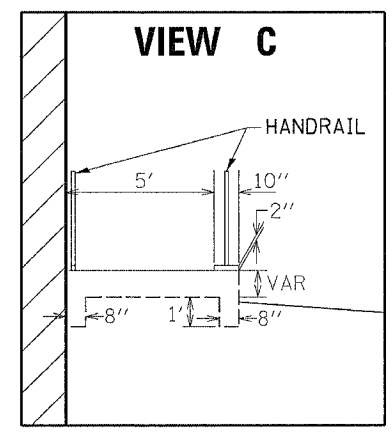
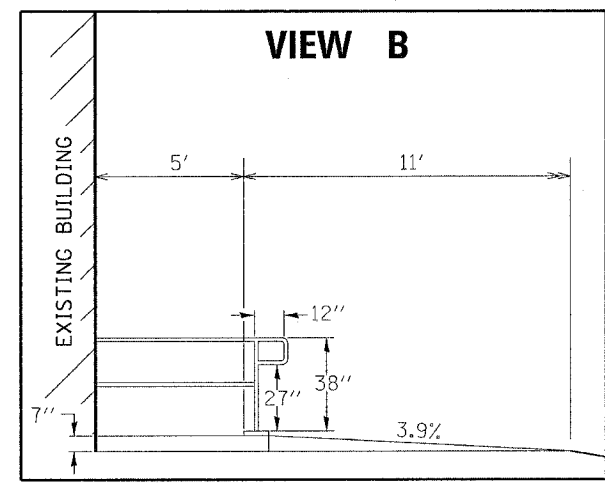
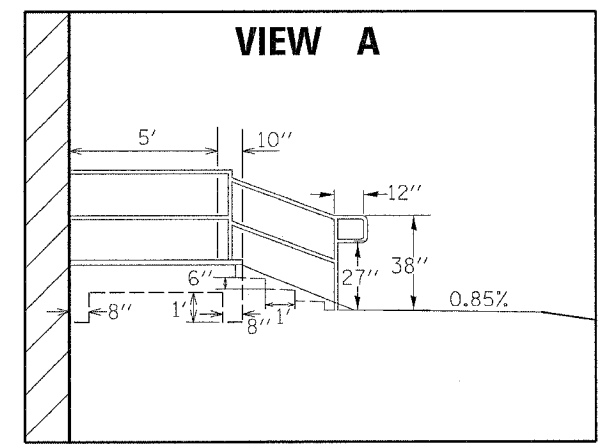
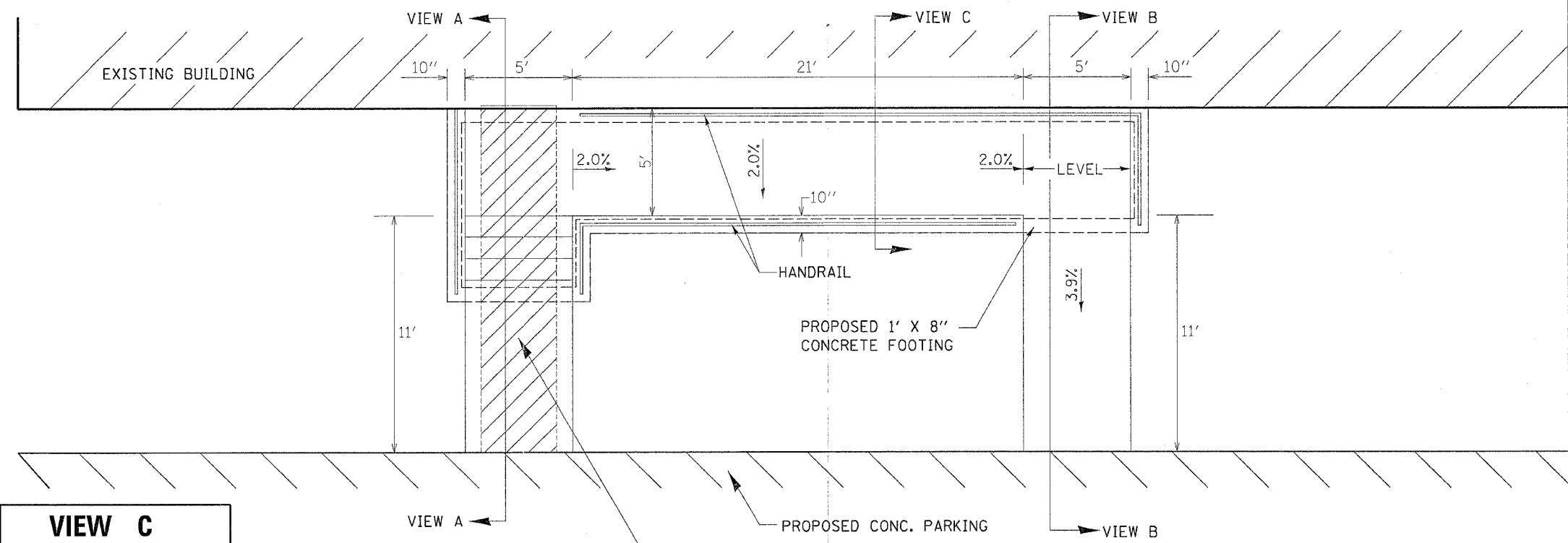
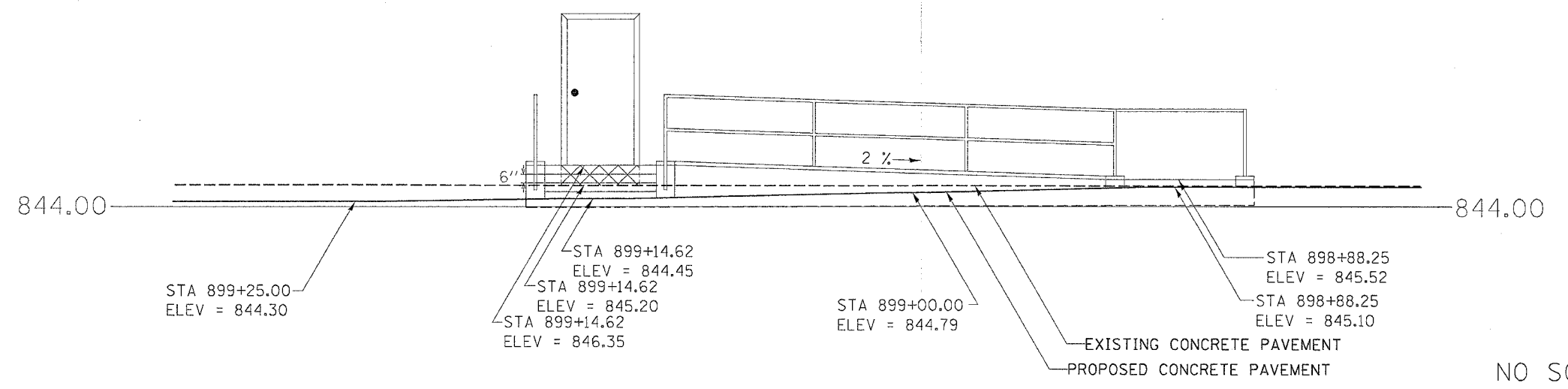


F.A.P. RTE.	SECTION	COUNTY	TOTAL SHEETS	SHEET NO.
22	6M & TS	HENRY	257	124A
STA.		TO STA.		
FED. ROAD DIST. NO.		ILLINOIS FED. AID PROJECT		

# STAIRS AND RAMP DETAIL



ALL HANDRAIL DIMENSIONS SHALL BE VERIFIED BY CONTRACTOR PRIOR TO FABRICATION OF PIPE HANDRAIL, BASED UPON FINAL LOCATION OF MOUNTING BOLTS.  
ALL RAIL SHALL BE ALUMINUM



NO SCALE