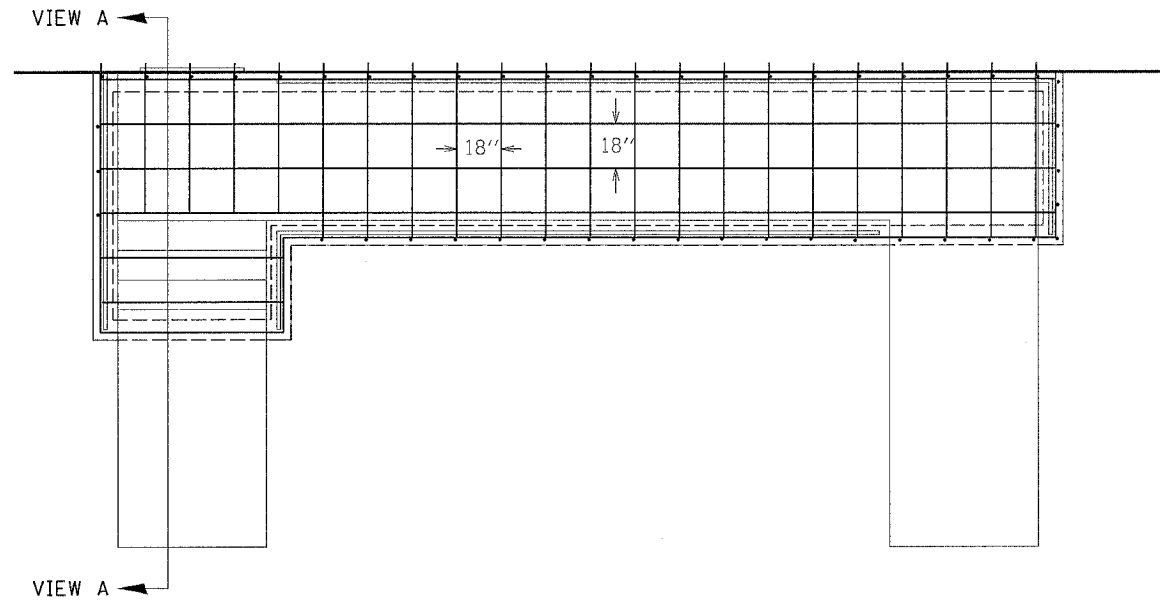


F.A.P. RTE.	SECTION	COUNTY	TOTAL SHEETS	SHEET NO.
22	6M & TS	HENRY	257	124B
STA.		TO STA.		
FED. ROAD DIST. NO.		ILLINOIS		FED. AID PROJECT

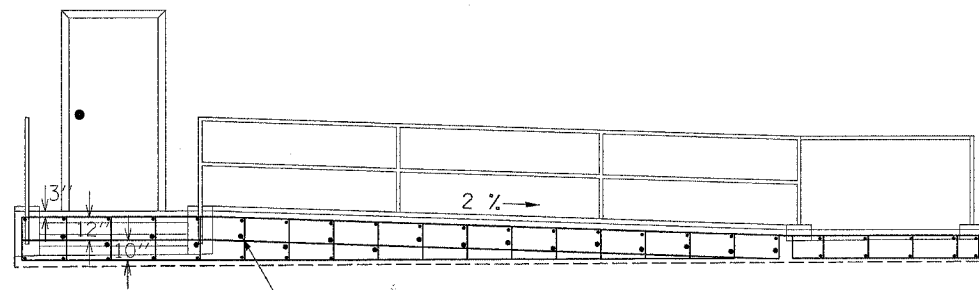
STAIRS AND RAMP DETAIL



REBAR & J BOLT DETAILS

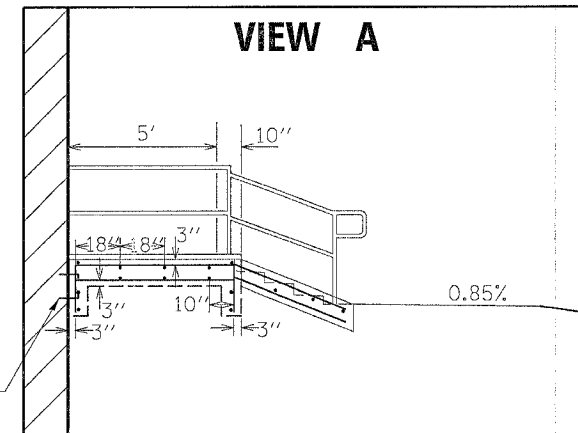


- ALL # 4 BARS
- REBAR SPACING SHALL BE 18" UNLESS NOTE OTHERWISE
- ALL REBAR SHALL BE TIED
- LAPPED BARS SHALL OVERLAP 16" AND BE WIRED TOGETHER
- ALL CONCRETE POURED SHALL BE REINFORCED



3/4" J-BOLT ANCHORS SHALL BE DRILLED @ 18" CENTERS INTO EXISTING CONCRETE FOUNDATION AT MID POINT OF PROPOSED CONCRETE FOOTING. SPACING SHALL BE STAGGERED VERTICALLY.

EXPANSION J BOLT
3/4" X 4"



General Notes:

All removal items and excavated materials shall become the property of the contractor and removed from the site. They shall be disposed of in a proper location and manner.

Care shall be taken to protect existing wall during demolition and concrete placement.

Care shall be taken to ensure that the 3" cover of concrete is maintained over the reinforcement.

All backfill where required shall be 3/8" clean chips. Cost of backfill shall be included in cost of concrete. Contractor may substitute concrete for 3/8" chips to backfill for convenience at no additional cost to the state.

Section 503 of the Standard Specifications shall be used in the construction of this ramp.

All concrete placed shall be consolidated using a vibrator.

All exposed edges shall have a 3/4" bevel.

Expansion bolts shall be 3/4" diameter and shall stick out of existing foundation 4". Expansion portion shall be drilled. Care shall be taken not to damage existing foundation wall.

Contractor shall be responsible for contacting local utilities to verify location of any cables & pipes. (JULIE)

Earth Excavation, Expansion Bolts, and any other item not paid for by a specific pay item shall be included in the contract unit price bid for CLASS SI CONCRETE.

NO SCALE

STAIRS AND RAMP DETAIL