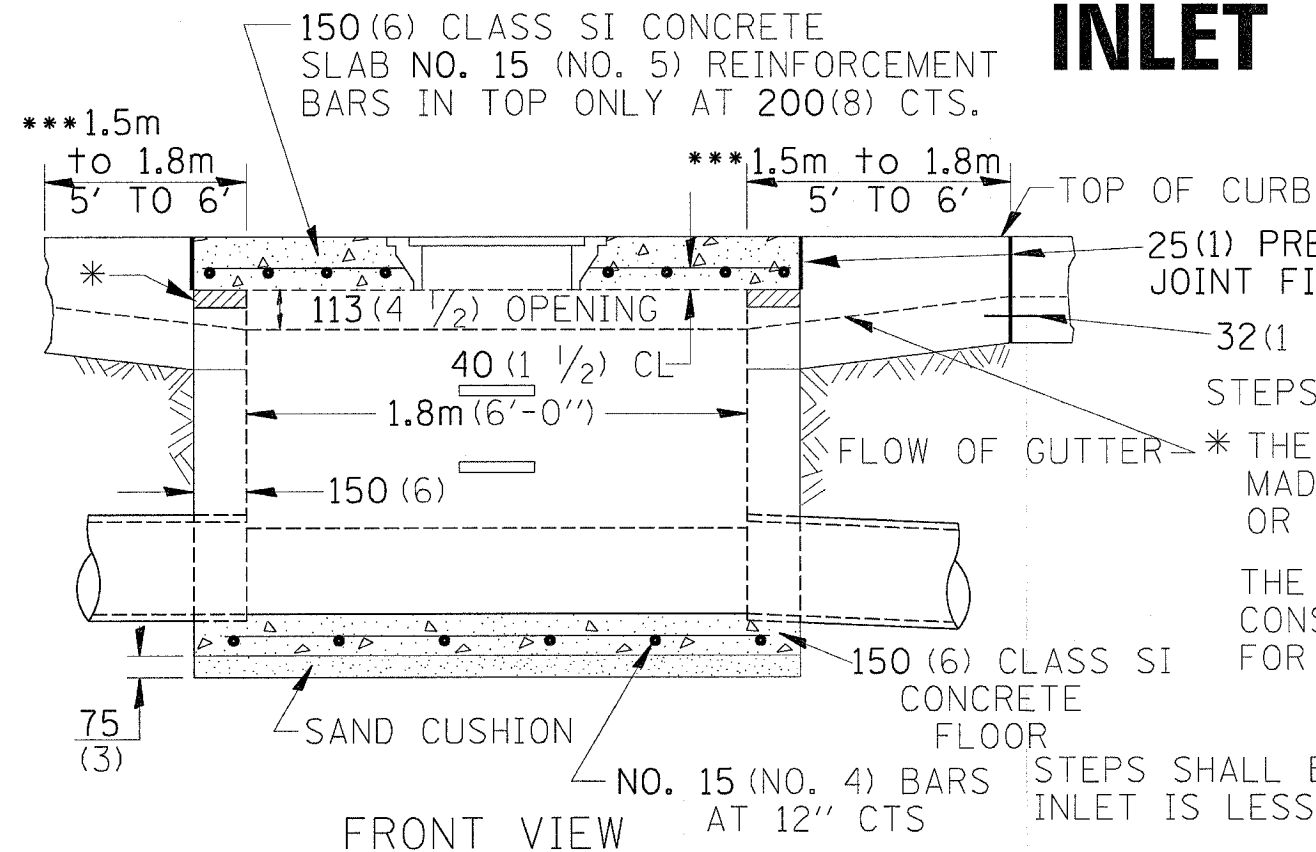


F. A. P. RTE.	SECTION	COUNTY	TOTAL SHEETS	SHEET NO
22	6M & TS	HENRY	257	126
STA.		TO STA.		
FED. ROAD DIST. NO. 7		ILLINOIS	FED. AID PROJECT	

# INLET SPECIAL NO. 3



FRONT VIEW

SLOPE TOP SLAB TO MATCH FINAL CONDITIONS

25(1) PREFORMED EXPANSION JOINT FILLER (TYP.)

32(1 1/4) DOWELL BAR

STEPS AT 300(12) TO 400(16) CTS.

\* THE WALL ADJUSTMENTS SHALL BE MADE WITH CONCRETE BUILDING BRICK OR CLASS SI CONCRETE.

THE HEIGHT OF THE BOX MAY BE CONSTRUCTED 150(6) SHORT TO ALLOW FOR FIELD ADJUSTMENTS.

### NOTES

STEPS SHALL BE OMITTED WHEN DEPTH OF INLET IS LESS THAN 1.5 m (5 ft.)

THE INLET SHALL BE CAST IN PLACE OR PRECAST.

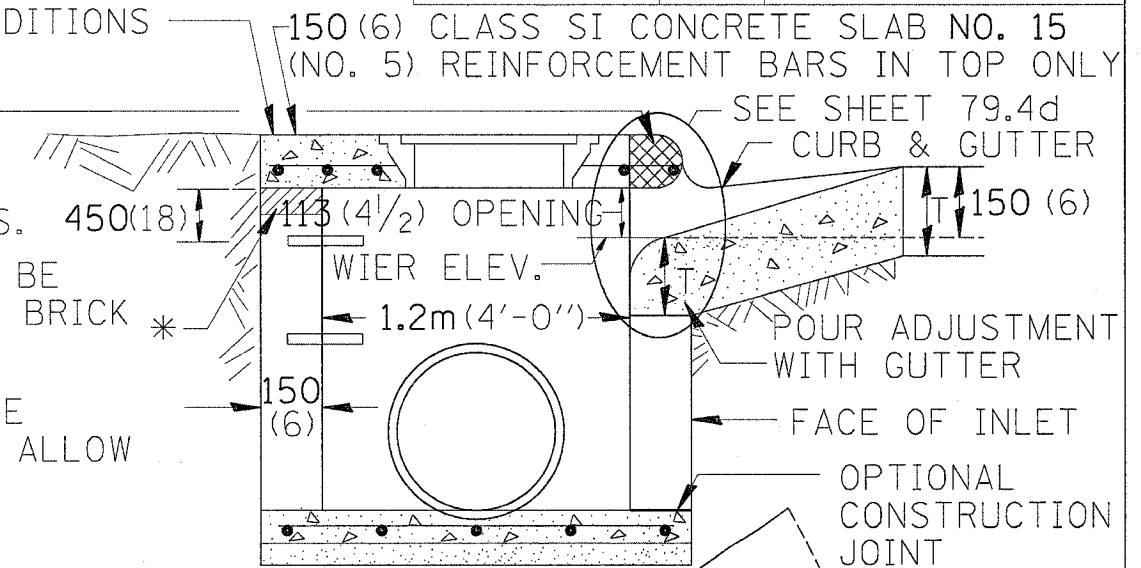
EXCEPT AS NOTED HEREON INLET SPECIAL NO. 3 SHALL BE CONSTRUCTED IN ACCORDANCE WITH SECTION 602 OF THE STANDARD SPECIFICATIONS.

THE CONTRACT UNIT PRICE EACH FOR INLET SPECIAL NO. 3 SHALL INCLUDE THE COST OF FURNISHING AND INSTALLING THE FRAME, LID, REINFORCEMENT BARS, FLOOR AND TOP SLABS, CAST IRON STEPS (IF USED).

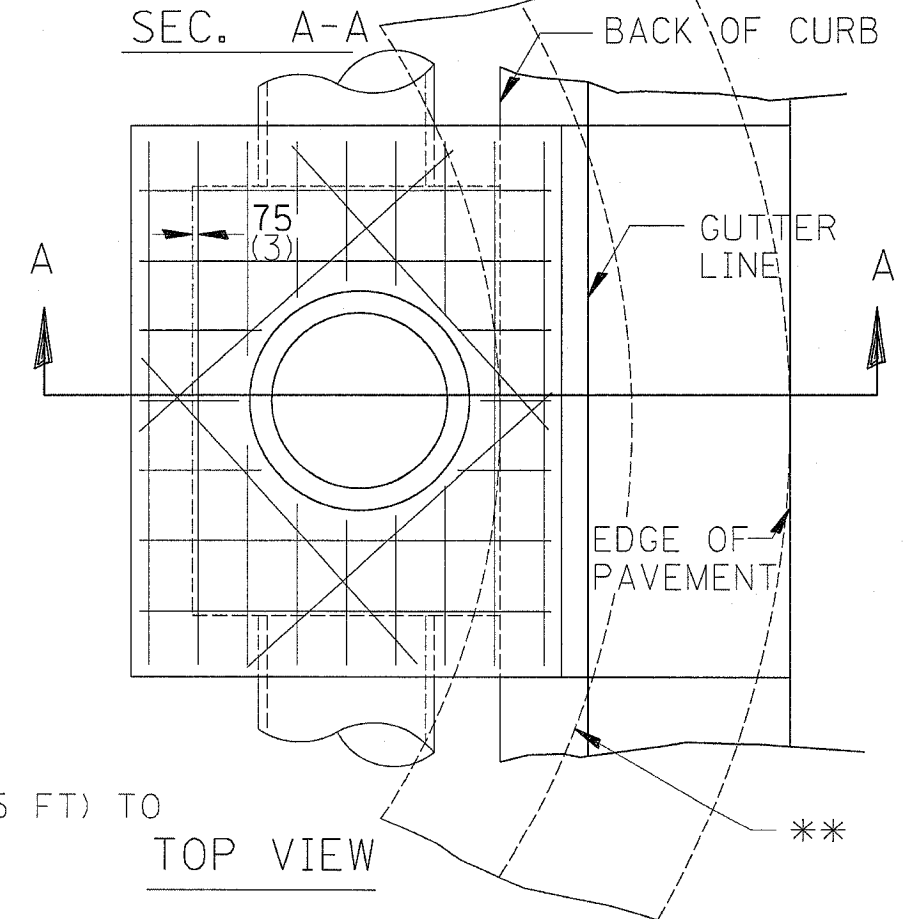
THE CURB AND GUTTER WILL BE PAID FOR SEPARATELY AND WILL BE MEASURED THROUGH THE INLET.

THE CURB AND GUTTER ADJACENT TO AND 1.5m (5 FT) TO 1.8m (6 FT) ON EITHER SIDE OF THE INLET SHALL BE CONSTRUCTED AS SHOWN WITH NO ADDITIONAL COMPENSATION FOR THE TRANSITION.

ALL DIMENSIONS ARE IN MILLIMETERS (INCHES) UNLESS OTHERWISE NOTED.



SEC. A-A



TOP VIEW

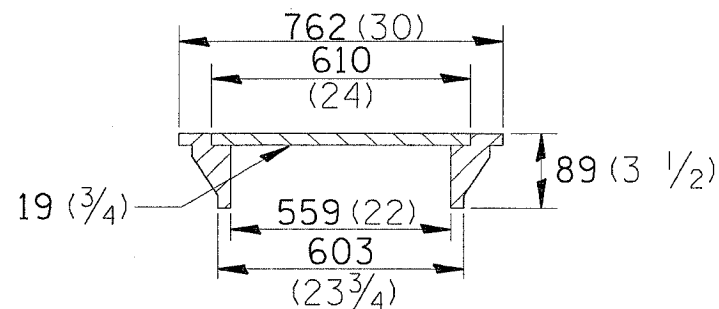
SEE STANDARD 602701 FOR DETAILS OF STEPS.

25(1) PREFORMED EXPANSION JOINTS AS SHOWN SHALL BE PROVIDED ON EACH SIDE OF INLET.

CLASS SI CONCRETE OR PRECAST CONCRETE SHALL BE USED THROUGHOUT.

THE SIDE WALLS MAY BE BUILT AS PRECAST SEGMENTAL SECTIONS.

\*\*\* USE 5' WHEN ADJACENT TO PCC PAVEMENT & ALIGN EXPANSION JOINT WITH MAINLINE JOINT LIGHT WEIGHT MANHOLE CASTING



TOTAL WEIGHT 73 KG. (160 LBS.)

\*DATE-TIME\*  
\*DCN-SPEC\*  
\*REF\*  
\*REF\*  
\*REF\*