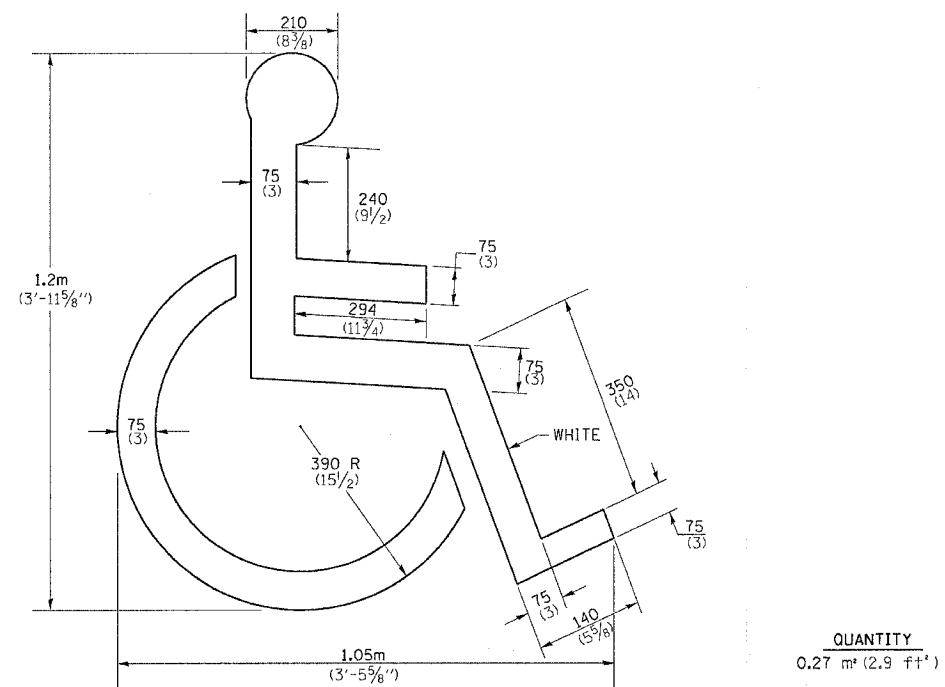


F.A.P. RTE.	SECTION	COUNTY	TOTAL SHEETS	SHEET NO.
22	6M & TS	HENRY	257	130
STA.	TO STA.			
FED. ROAD DIST. NO.	ILLINOIS	FED. AID PROJECT		

# DISABLED SYMBOL



QUANTITY  
0.27 m<sup>2</sup> (2.9 ft<sup>2</sup>)

ALL DIMENSIONS ARE IN MILLIMETERS (INCHES) UNLESS OTHERWISE NOTED.

**DISABLED SYMBOL 69.4**

REVISED 5-4-94

# DETAIL OF CONCRETE STEPS

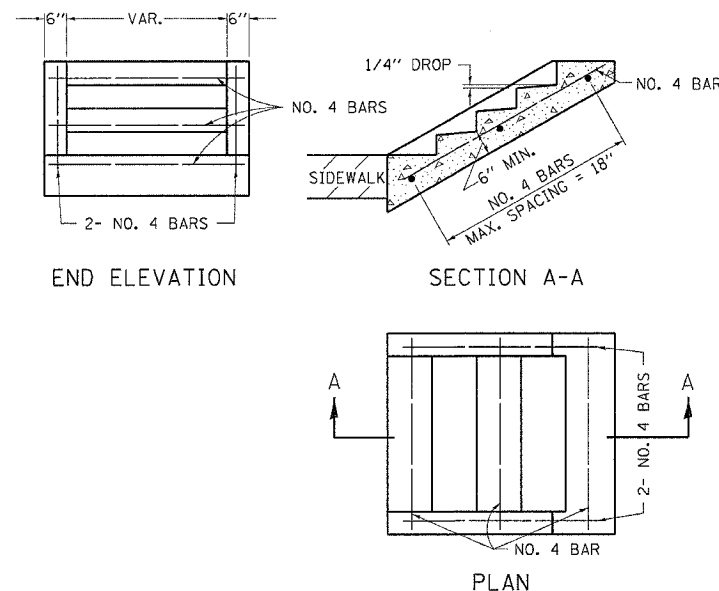


TABLE OF TREADS & RISERS

SLOPE	TREAD	RISER
1:2	12"	6"
1:3	15"	5"
1:4	17"	4 1/4"

WHERE SLOPES FALL BETWEEN THOSE SHOWN IN THE TABLE ABOVE, THE STAIR RAIL SHOULD FIT THE SLOPE AND THE TREAD IN INCHES x THE RISER IN INCHES SHOULD BE BETWEEN 72 AND 78.

**EXAMPLE:**

FOR A 1:4 SLOPE USE  $y = \text{RISER HEIGHT}$   $4y^2 = 75''$ .  
SOLVING  $y^2 = \frac{75''}{4}$ ,  $y = 4.3''$  (USE 4 1/4" FOR CONVENIENCE.)  
TREAD WOULD THEN BE  $4 \times 4 1/4'' = 17''$

COST OF REINFORCEMENT BARS SHALL BE PAID FOR AT THE CONTRACT UNIT PRICE PER LBS REINFORCEMENT BARS.

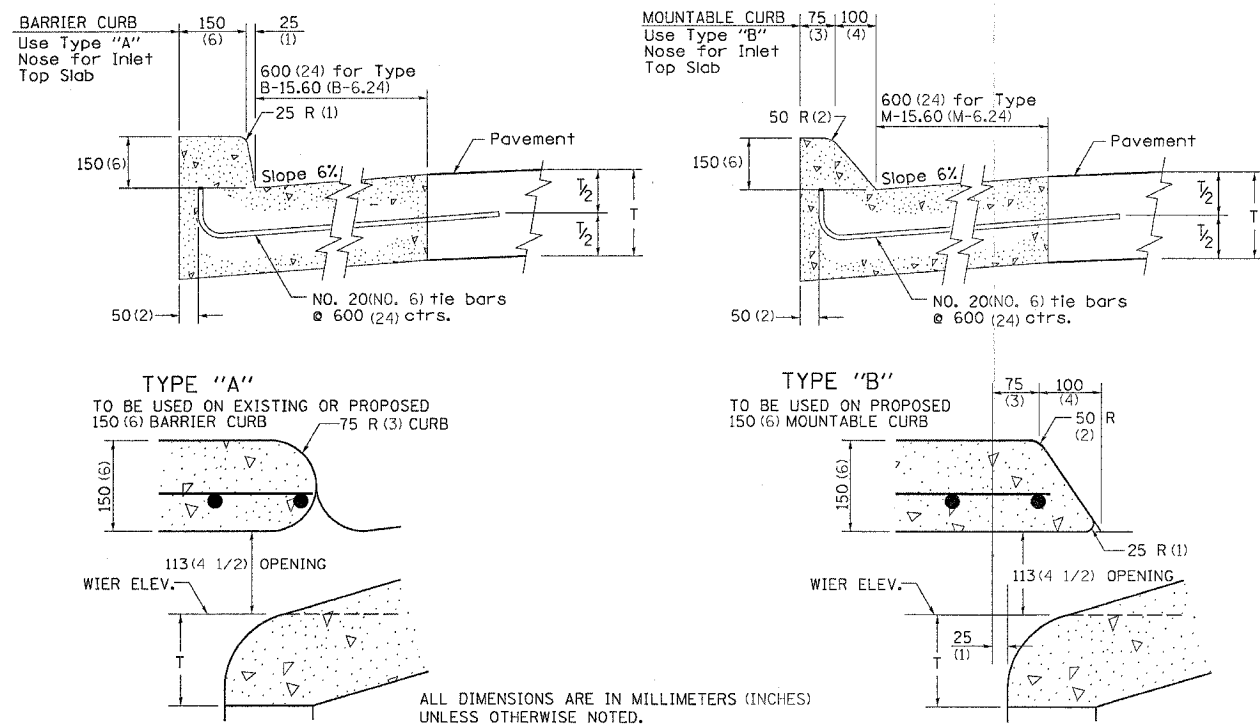
CLASS SI CONCRETE SHALL BE USED THROUGHOUT, WHICH SHALL BE PAID FOR AT THE CONTRACT UNIT PRICE PER CUBIC YARD FOR CLASS SI CONCRETE STEPS.

ALL DIMENSIONS ARE IN INCHES UNLESS OTHERWISE NOTED.

**DETAIL OF CONCRETE STEPS 71.4**

REVISED 3-3-05

# NOSE TYPE FOR INLET TOP SLAB

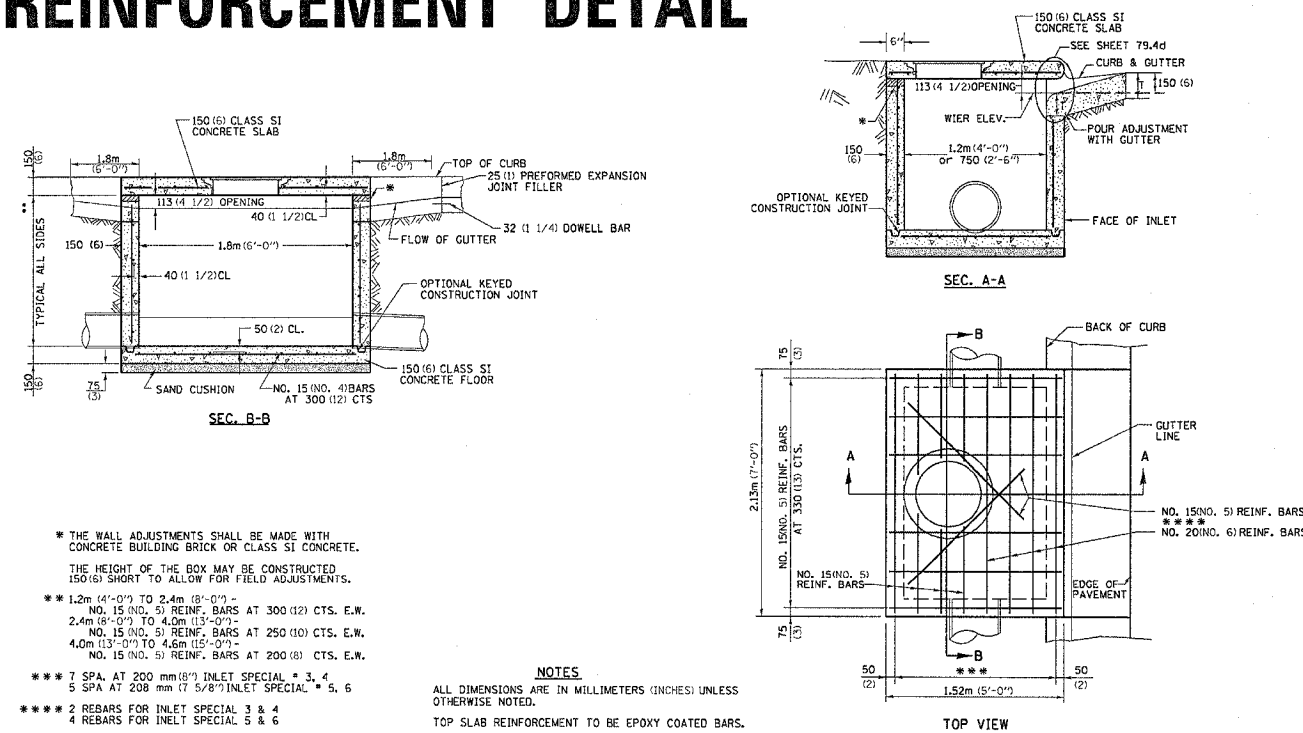


ALL DIMENSIONS ARE IN MILLIMETERS (INCHES) UNLESS OTHERWISE NOTED.

**NOSE TYPE FOR INLET TOP SLAB 79.4d**

REVISED 2-14-95

# INLET SPECIAL NO. 3, 4, 5, 6 REINFORCEMENT DETAIL



\* THE WALL ADJUSTMENTS SHALL BE MADE WITH CONCRETE BUILDING BRICK OR CLASS SI CONCRETE.

THE HEIGHT OF THE BOX MAY BE CONSTRUCTED 150(6) SHORT TO ALLOW FOR FIELD ADJUSTMENTS.

\*\* 1.2m (4'-0") TO 2.4m (8'-0") - NO. 15 (NO. 5) REINF. BARS AT 300 (12) CTS. E.W.  
2.4m (8'-0") TO 4.0m (13'-0") - NO. 15 (NO. 5) REINF. BARS AT 250 (10) CTS. E.W.  
4.0m (13'-0") TO 4.6m (15'-0") - NO. 15 (NO. 5) REINF. BARS AT 200 (8) CTS. E.W.

\*\*\* 7 SPA. AT 200 mm (8") INLET SPECIAL # 3, 4  
5 SPA AT 200 mm (8") INLET SPECIAL # 5, 6

\*\*\*\* 2 REBARS FOR INLET SPECIAL 3 & 4  
4 REBARS FOR INLET SPECIAL 5 & 6

**NOTES**

ALL DIMENSIONS ARE IN MILLIMETERS (INCHES) UNLESS OTHERWISE NOTED.  
TOP SLAB REINFORCEMENT TO BE EPOXY COATED BARS.

**INLET SPECIAL NO. 3, 4, 5, 6 REINFORCEMENT DETAIL 79.4e**

REVISED 4-4-05

PLOT DATE = Thu Oct 27 08:42:53 2005  
FILE NAME = c:\p\o\m\11\p216886\p16886pl.dgn  
PLOT SCALE = 30.000 / IN.  
REFERENCE = BREF