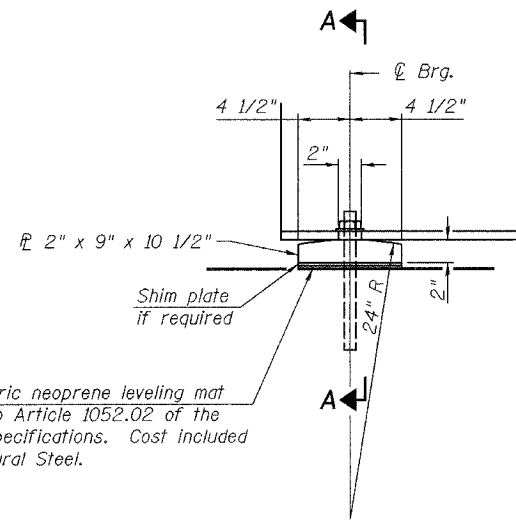


STATE OF ILLINOIS
DEPARTMENT OF TRANSPORTATION

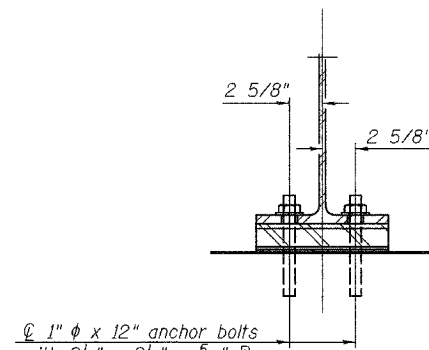
ROUTE NO.	SECTION	COUNTY	TOTAL SHEETS	SHEET NO.	SHEET NO.
FAP 553	125 VBR-1F	DEKALB	15	11	13 SHEETS
FED. ROAD DIST. NO. 7	ILLINOIS	FED. AID PROJECT-			

Contract #64B90



ELEVATION AT ABUTMENT

1/2" elastomeric neoprene leveling mat according to Article 1052.02 of the Standard Specifications. Cost included with Structural Steel.

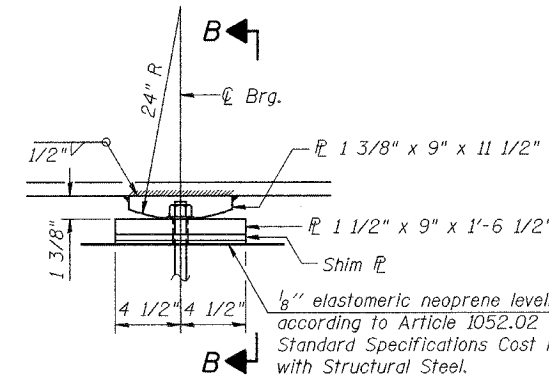


SECTION A-A

1" ϕ x 12" anchor bolts with 2 1/4" x 2 1/4" x 5/16" ϕ washer under nut. 1 3/8" x 2" slotted hole in flange. 1 1/2" ϕ holes in bearing plate.

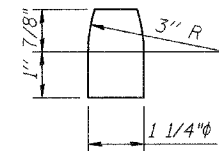
FIXED BEARING AT ABUTMENT

Notes:
Anchor bolts at fixed bearings may be built into the masonry.
See sheet 13 of 13 for Anchor Bolt installation.

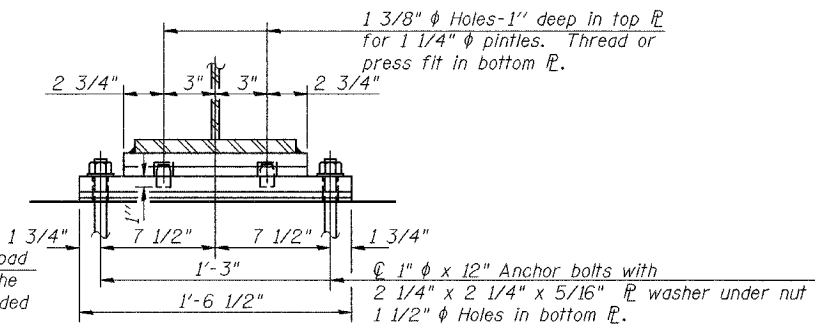


ELEVATION AT PIER

FIXED BEARING AT PIER



PINTLE



SECTION B-B

1 3/8" ϕ Holes-1" deep in top ϕ for 1 1/4" ϕ pintles. Thread or press fit in bottom ϕ .

1" ϕ x 12" Anchor bolts with 2 1/4" x 2 1/4" x 5/16" ϕ washer under nut. 1 1/2" ϕ Holes in bottom ϕ .

DESIGNED	JKC
CHECKED	JDA
DRAWN	ARR
CHECKED	JKC

BEARING DETAILS
IL RTE 72 OVER
IOWA CHICAGO & EASTERN RAILROAD
FAP ROUTE 553
SECTION 125VBR-1F
DEKALB COUNTY
STA. 144+14.40
SN 019-0047