

STATE OF ILLINOIS  
DEPARTMENT OF TRANSPORTATION

ROUTE NO.	SECTION	COUNTY	SHEET NO.	SHEET NO.
FAP 553	125 VBR-1F	DEKALB	15	14
FED. ROAD DIST. NO. 7		ILLINOIS	FED. AID PROJECT-	

SHEET NO. 12  
13 SHEETS

Contract #64B90

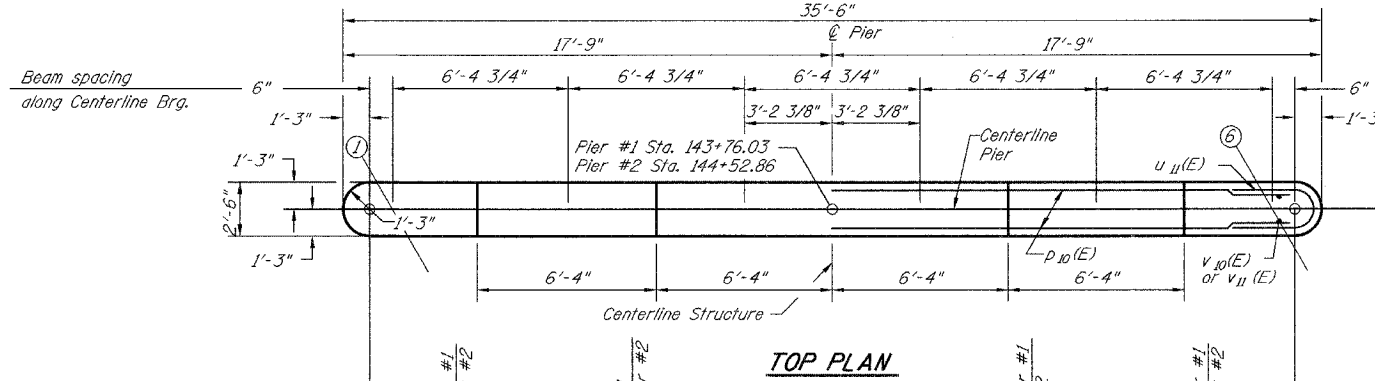
Notes: Space reinforcement in cap to miss anchor bolts.  
Pour steps monolithically with cap.

**PILE DATA**

**Pier #1**  
Type: HP12x...  
Capacity: ...  
Est. Length: ...  
No. Req'd: - plus 1 Test Pile

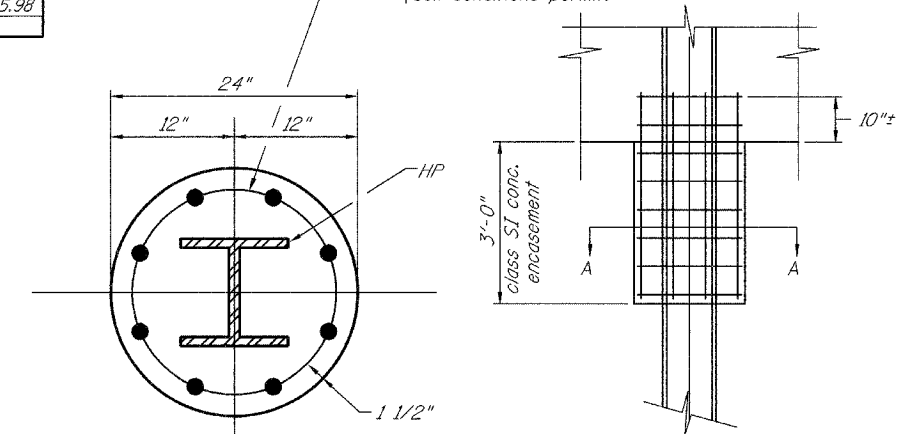
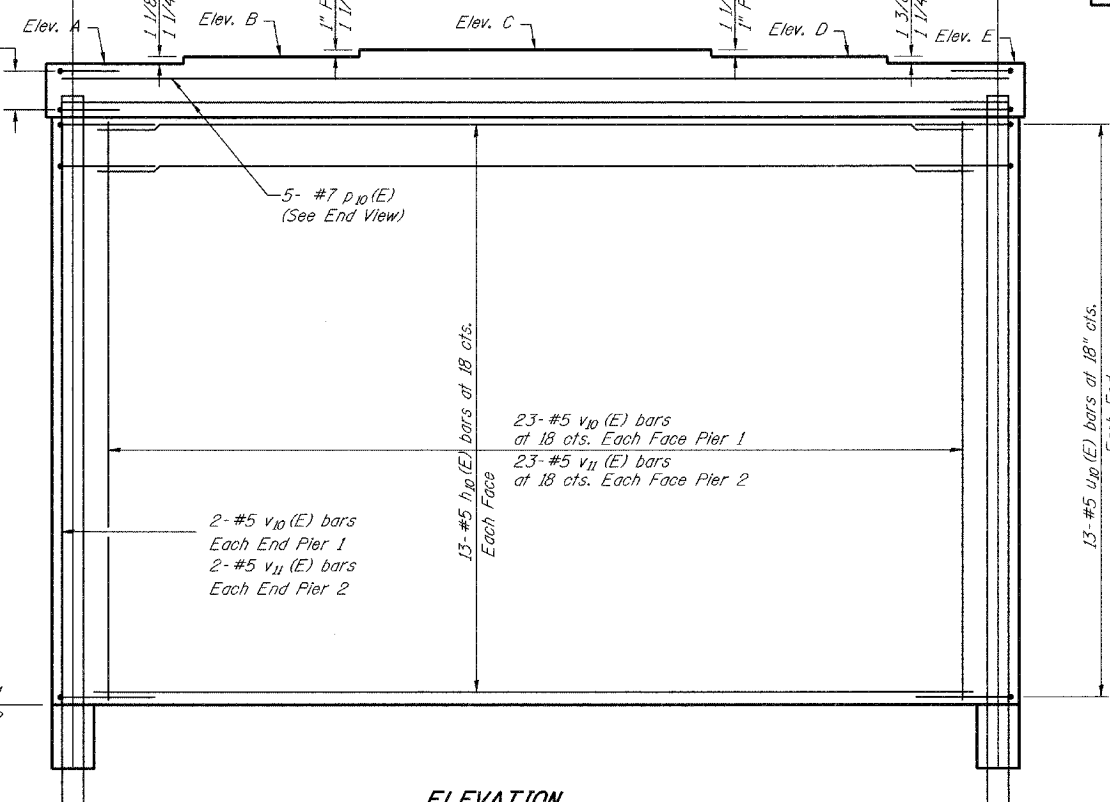
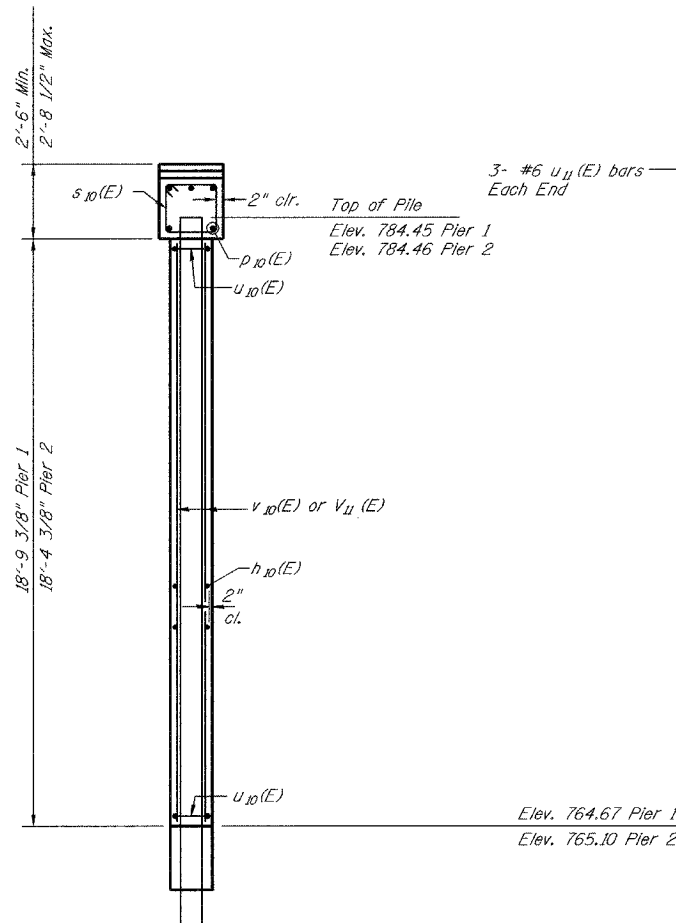
**PILE DATA**

**Pier #2**  
Type: HP12x...  
Capacity: ...  
Est. Length: ...  
No. Req'd: -

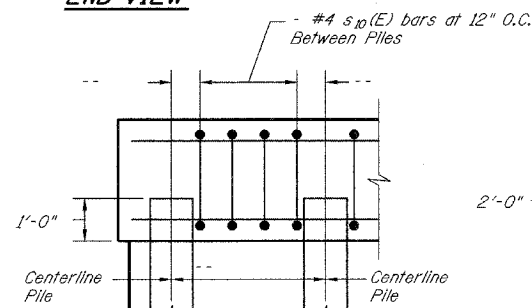


Loc.	Pier 1	Pier 2
A	785.98	785.96
B	786.08	786.06
C	786.16	786.17
D	786.06	786.08
E	785.95	785.98

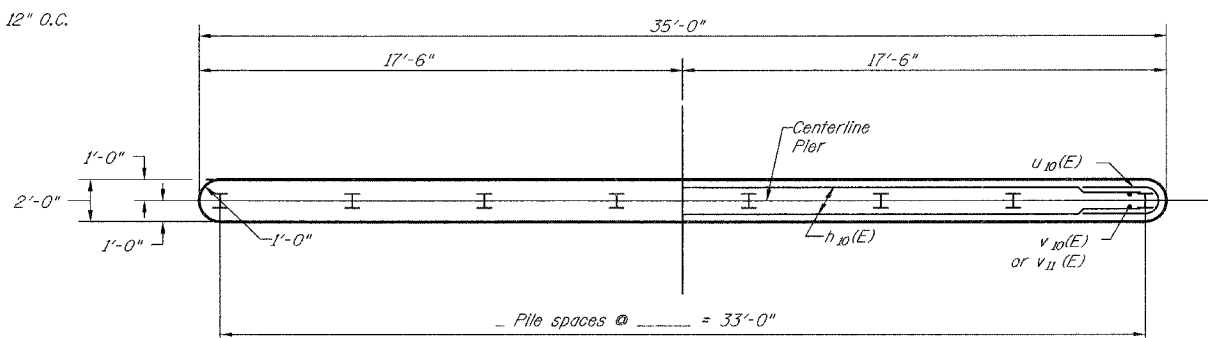
Welded wire fabric 6 x 6-W4.0 x W4.0 with a weight of 58#/100 sq. ft. The cost of Excavation, Class SI Concrete Encasement and Reinforcement is included in the cost of furnishing piles. Forms for encasement may be omitted when soil conditions permit.



**END VIEW**

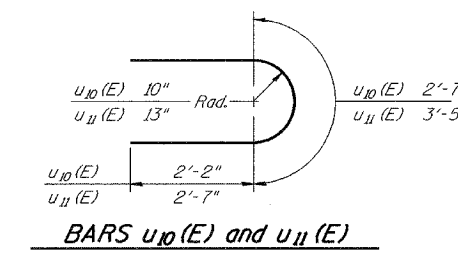


**PARTIAL ELEVATION**

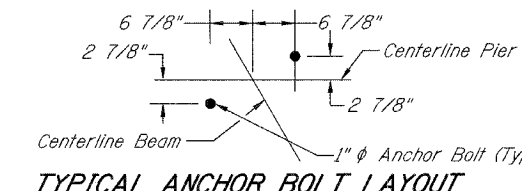


**ELEVATION**  
(LOOKING SOUTH)

**SECTION**



**BARS  $u_{10}(E)$  and  $u_{11}(E)$**



**BILL OF MATERIAL - 2 PIERS**

Bar	No.	Size	Length	Shape
$h_{10}(E)$	52	#5	33'-0"	—
$p_{10}(E)$	10	#7	33'-0"	—
$s_{10}(E)$		#4	9'-5"	□
$u_{10}(E)$	52	#5	6'-11"	U
$u_{11}(E)$	12	#6	8'-7"	U
$v_{10}(E)$	50	#5	18'-6"	—
$v_{11}(E)$	50	#5	18'-0"	—
Concrete Structures		Cu Yd	112.1	
Reinforcement Bars, Epoxy Coated		Pound	--	
Test Pile Steel HP12x...		Each	1	
Furnishing Steel Piles HP12x...		Foot	--	
Driving Steel Piles		Foot	--	
Structure Excavation		Cu Yd	18.0	

Reinforcement Bars designated (E) shall be epoxy coated.

**PIER #1 & #2**  
IL RTE 72 OVER  
IOWA CHICAGO & EASTERN RAILROAD  
FAP ROUTE 553  
SECTION 125VBR-1F  
DEKALB COUNTY  
STA. 144+14.40  
SN 019-0047

FOR INFORMATION ONLY

DESIGNED	JDA
CHECKED	JKC
DRAWN	ARR
CHECKED	JKC