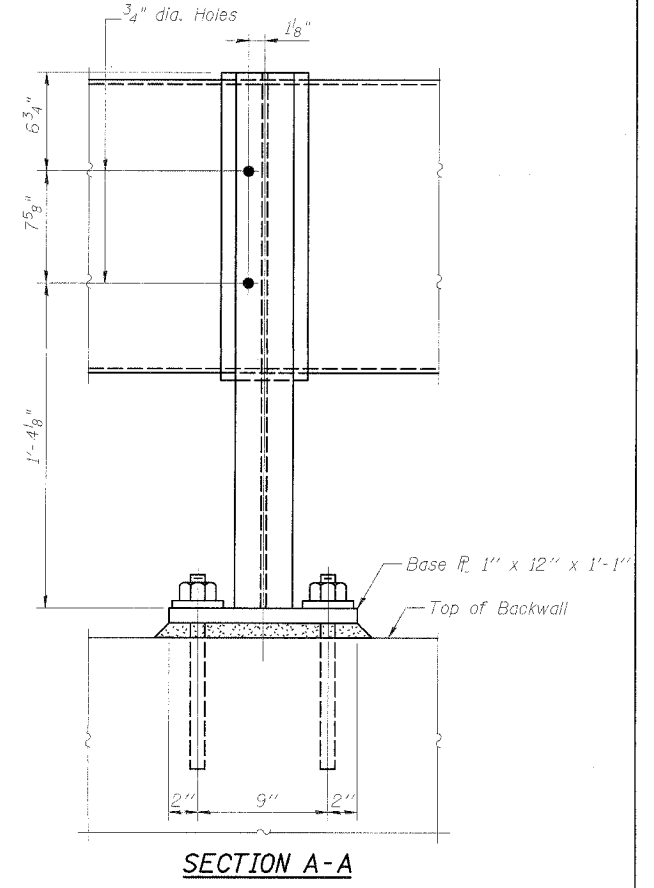
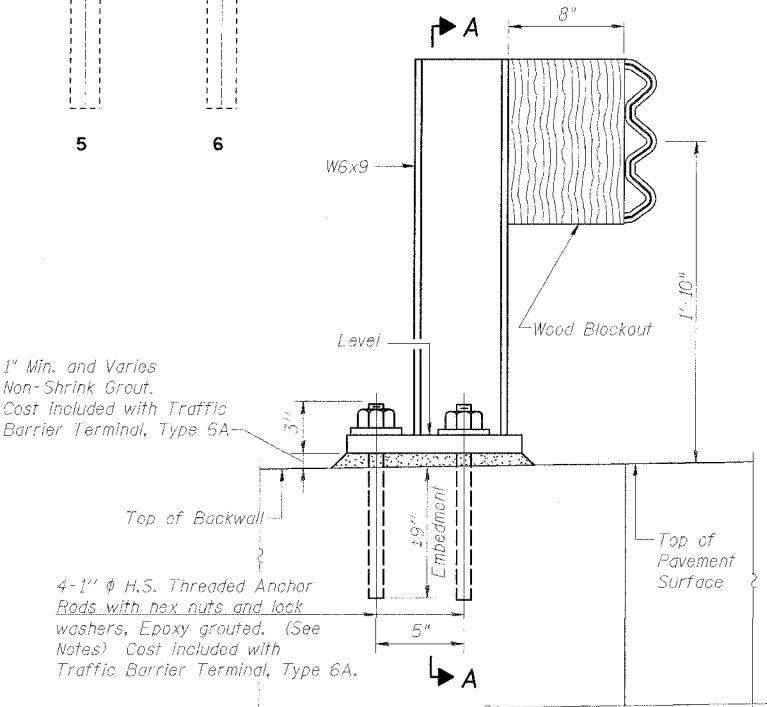
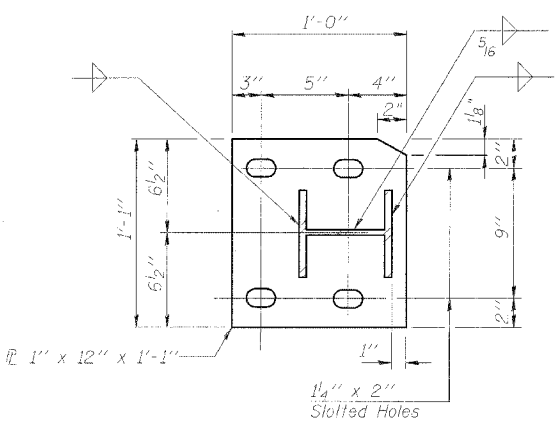
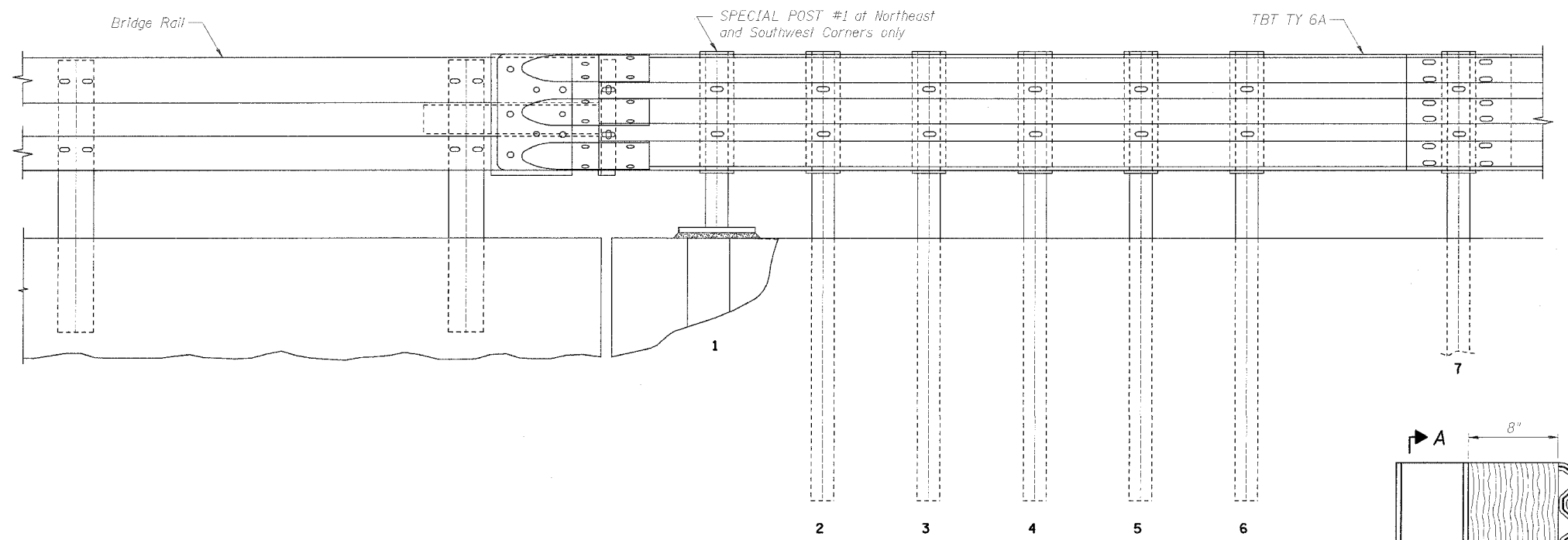
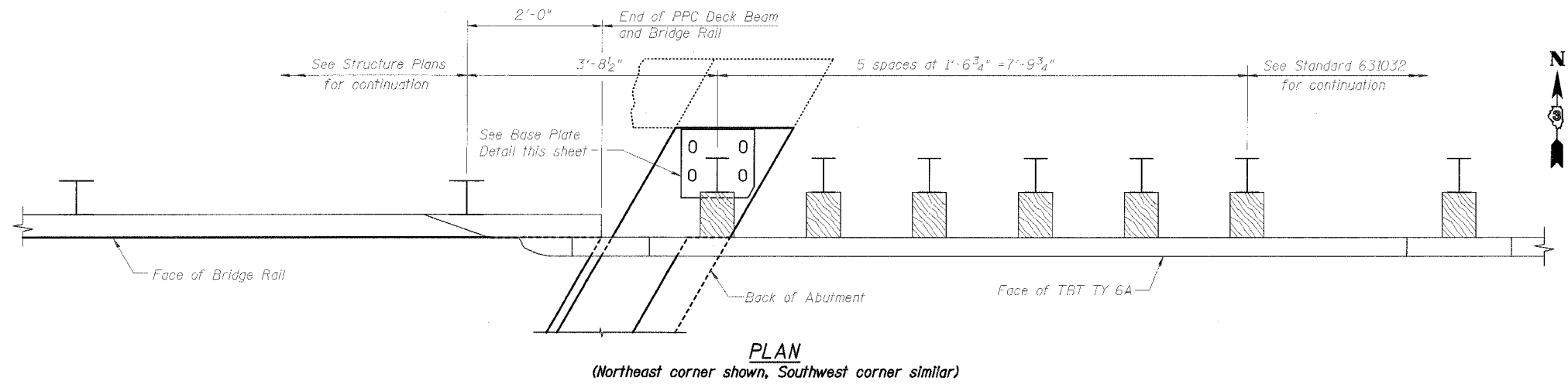


FAP RTE	SECTION	COUNTY	TOTAL SHEETS	SHEET NO.
681	116BR-1	FORD	37	12
STA.		TO STA.		
FED. ROAD DIST. NO.		ILLINOIS FED. AID PROJECT		



NOTES

1. Bolts, cap screws and nuts shall conform to the requirements of ASTM designation A-307 except that threaded rods, nuts and washers shall conform to AASHTO M 164.
2. All bolts, nuts, cap screws, washers and lock washers shall be galvanized according to AASHTO M 232.
3. All posts, railing, rail splices and anchor rods shall be galvanized after shop fabrication according to AASHTO M 111 and ASTM A 385. Galvanized rail shall not be painted.
4. The Contractor shall use the capsule or the adhesive cartridge type anchor rods that have been previously tested and given a prior approval by the Department. The Contractor shall install these anchor rods in pre-drilled holes according to the manufacturer's recommendations and procedures. The capsule or the adhesive cartridge shall be sealed with pre-measured amounts of the adhesive chemical.
5. Nuts for 1" ϕ threaded anchor rods connecting the base plate to the concrete shall be tightened to a snug fit and given an additional $1/8$ turn.
6. See Standard 631032 for details of Traffic Barrier Terminal, Type 6A not shown. All material and work associated with the fabrication and installation of the special rail post shall be included with the cost of Traffic Barrier Terminal, Type 6A.

ESCA
CONSULTANTS, INC.

DESIGNED BY:	MTD	7/05
DRAWN BY:	DWH	7/05
CHECKED BY:	MTD	7/05
APPROVED BY:	RDP	8/05

GUARDRAIL DETAILS
FAP RTE 681 (IL 116)
SECTION 116BR-1
FORD COUNTY