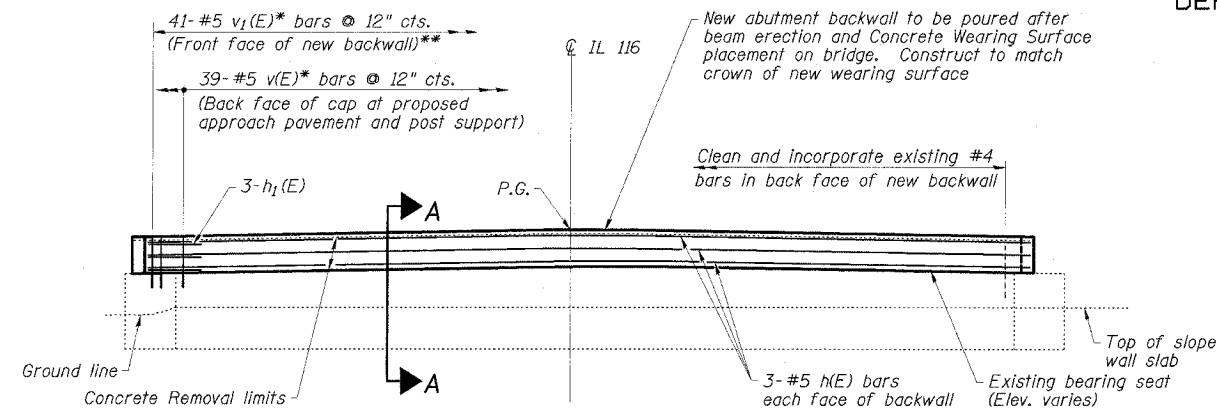


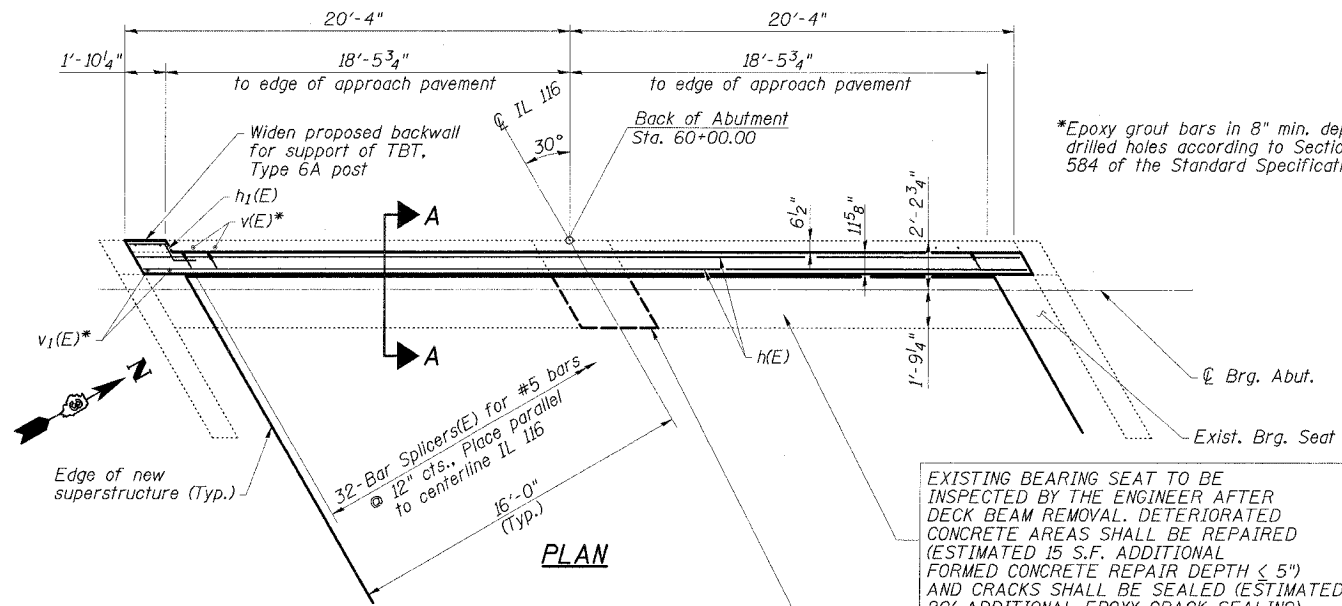
STATE OF ILLINOIS
DEPARTMENT OF TRANSPORTATION

ROUTE NO.	SECTION	COUNTY	TOTAL SHEETS	SHEET NO.
FAP 681	116BR-1	FORD	37	21
STA.	TO STA.			
FED. ROAD DIST. NO.	ILL. INDE.	FED. AID PROJECT-		
DWG. NO. 9 OF 15				

CONTRACT NO. 66561



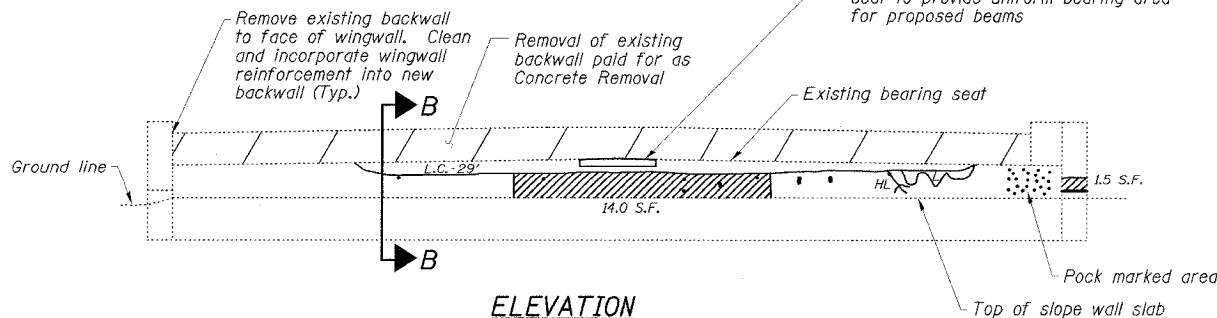
ELEVATION
Backwall Repairs



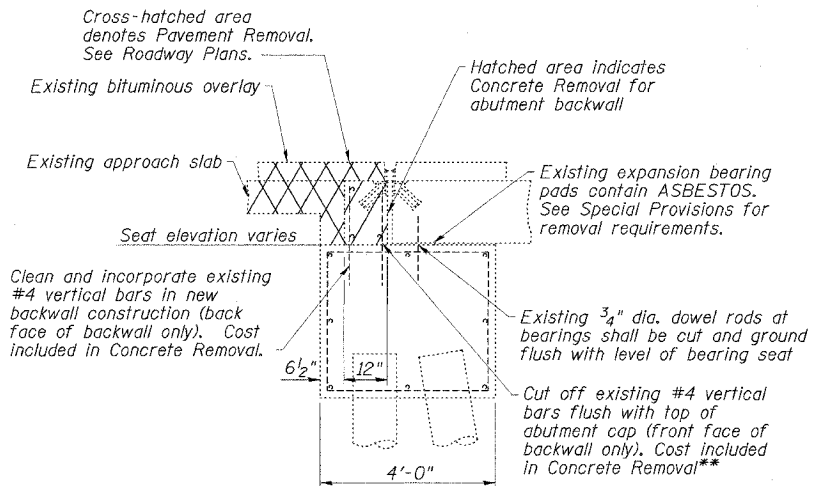
PLAN

EXISTING BEARING SEAT TO BE INSPECTED BY THE ENGINEER AFTER DECK BEAM REMOVAL. DETERIORATED CONCRETE AREAS SHALL BE REPAIRED (ESTIMATED 15 S.F. ADDITIONAL FORMED CONCRETE REPAIR DEPTH < 5") AND CRACKS SHALL BE SEALED (ESTIMATED 20' ADDITIONAL EPOXY CRACK SEALING) IF FOUND. BRIDGE SEAT SEALER SHALL BE APPLIED TO FORMED CONCRETE REPAIR AREAS.

8.7 S.F. Formed Concrete Repair to be used to slope existing level portion of abutment seat to provide uniform bearing area for proposed beams

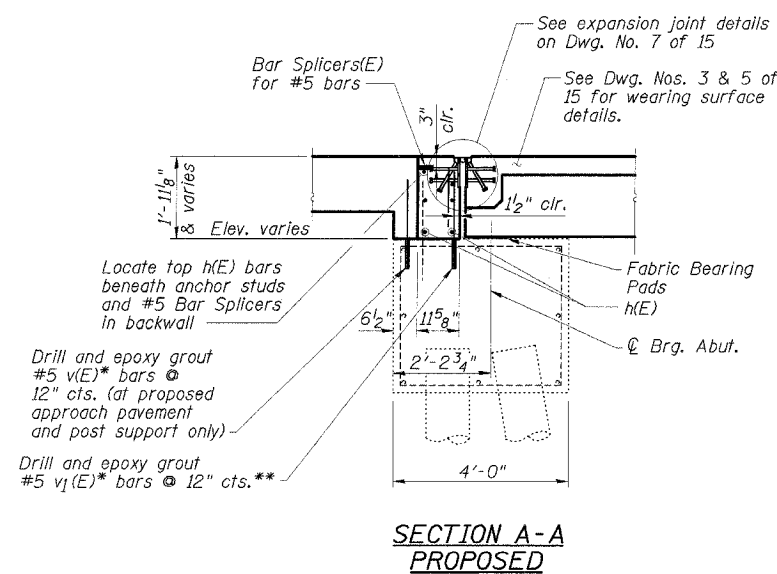


ELEVATION
Cap and Wingwall Repairs

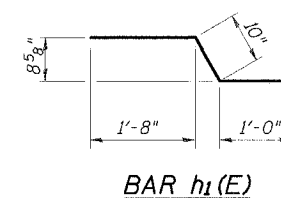


SECTION B-B
EXISTING

**As directed by the Engineer, the existing #4 vertical bars in the front face of backwall may be cleaned and incorporated into new backwall construction and the #5 v₁(E) bars eliminated from the contract if 1/2" minimum clearance can be maintained from the face of the new backwall



SECTION A-A
PROPOSED



WEST ABUTMENT
BILL OF MATERIAL

Bar	No.	Size	Length	Shape
h (E)	6	#5	40'-3"	—
h ₁ (E)	3	#5	3'-6"	—
v (E)	39	#5	2'-0"	—
v ₁ (E)	41	#5	2'-3"	—
Concrete Removal			Cu. Yd.	2.2
Concrete Structures			Cu. Yd.	3.0
Reinforcement Bars, Epoxy Coated			Pound	445
Structure Excavation			Cu. Yd.	36
Asbestos Bearing Pad Removal			Each	22
Bridge Seat Sealer			Sq. Ft.	24
Epoxy Crack Sealing			Foot	49
Formed Concrete Repair (Depth Equal to or Less Than 5")			Sq. Ft.	39.2
Bar Splicers			Each	32

REPAIR LEGEND

Inspection Date: 4-14-05

- † Rust Stained Area
- (W/L) Moisture Stained or Leached Area
- HL Hairline Crack - Not to be Sealed
- c-6' Crack (> 1/16" Width) EPOXY CRACK SEALING
- L.C.-6' Leached Crack (> 1/16" Width) EPOXY CRACK SEALING
- S.F. Delaminated Area FORMED CONC. REPAIR
- S.F. Spalled Area (Depth ≤ 5") FORMED CONC. REPAIR

WEST ABUTMENT
IL 116 OVER KELLY CREEK
FAP ROUTE 681 - SECTION 116BR-1
FORD COUNTY
STATION 60+53.00
STRUCTURE NO. 027-0044

ESCA
CONSULTANTS, INC.

DESIGNED BY:	ELH	6/05
DRAWN BY:	DWH	6/05
CHECKED BY:	ELH	10/05
APPROVED BY:	RDP	10/05

NOTE: ABUTMENT CRACK REPAIR LENGTHS AND FORMED CONCRETE REPAIR AREAS ARE ESTIMATED FROM 4-14-05 SURVEY WORK. ACTUAL LOCATIONS AND QUANTITIES OF REPAIRS SHALL BE SHOWN BY THE ENGINEER ON THE AS-BUILT PLANS FOR THIS SECTION.