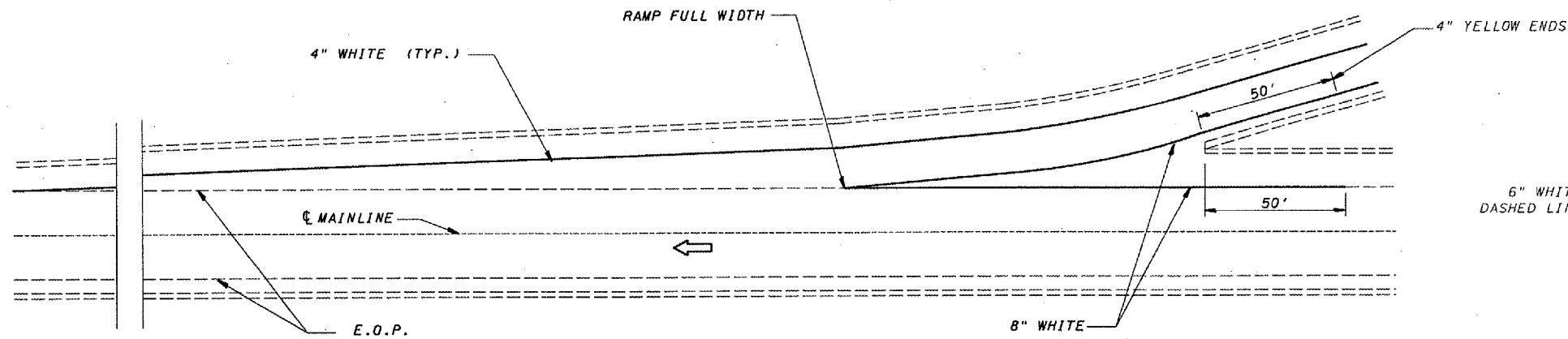
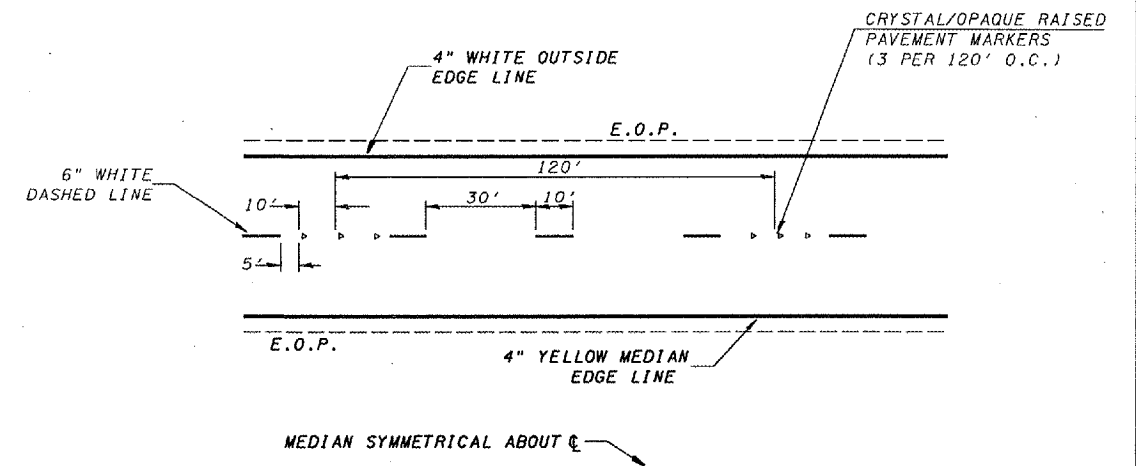


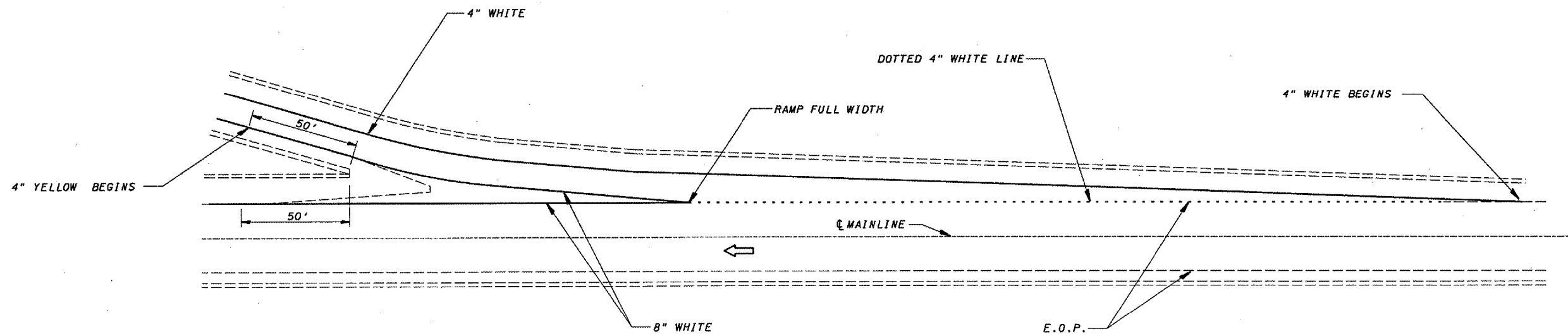
F.A.I. RTE.	SECTION	COUNTY	TOTAL SHEETS	SHEET NO.
412	102(2,3)1	WOODFORD	7	7
FED. ROAD DIST. NO.		ILLINOIS PROJECT		



TYPICAL PAVEMENT MARKING FOR ENTRANCE RAMP TERMINALS



TYPICAL PAVEMENT MARKINGS



TYPICAL PAVEMENT MARKINGS FOR EXIT RAMP TERMINALS

Date: 06/15/2005
File: c:\projects\main06\cm.315\details.dgn

REVISIONS	
NAME	DATE

ILLINOIS DEPARTMENT OF TRANSPORTATION
PAVEMENT STRIPING DETAILS

SCALE: VERT.
HORIZ.
DATE 06/09/2005

DRAWN BY RLW
CHECKED BY