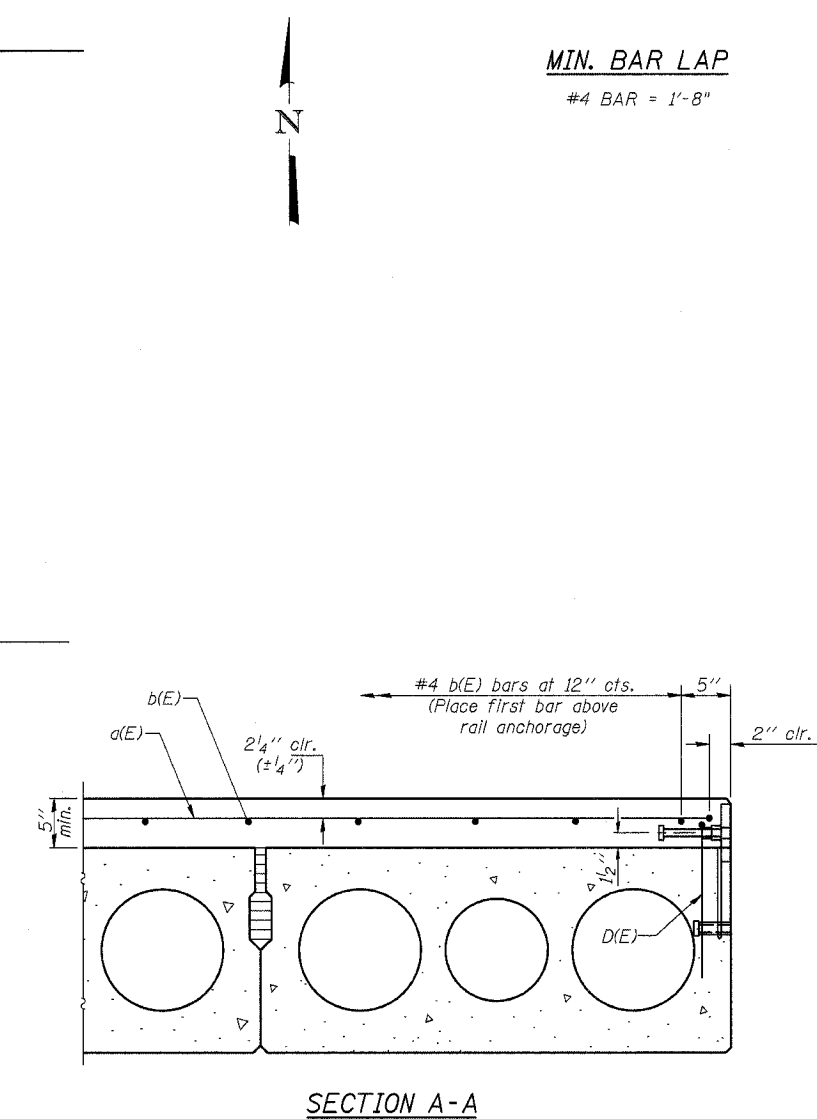
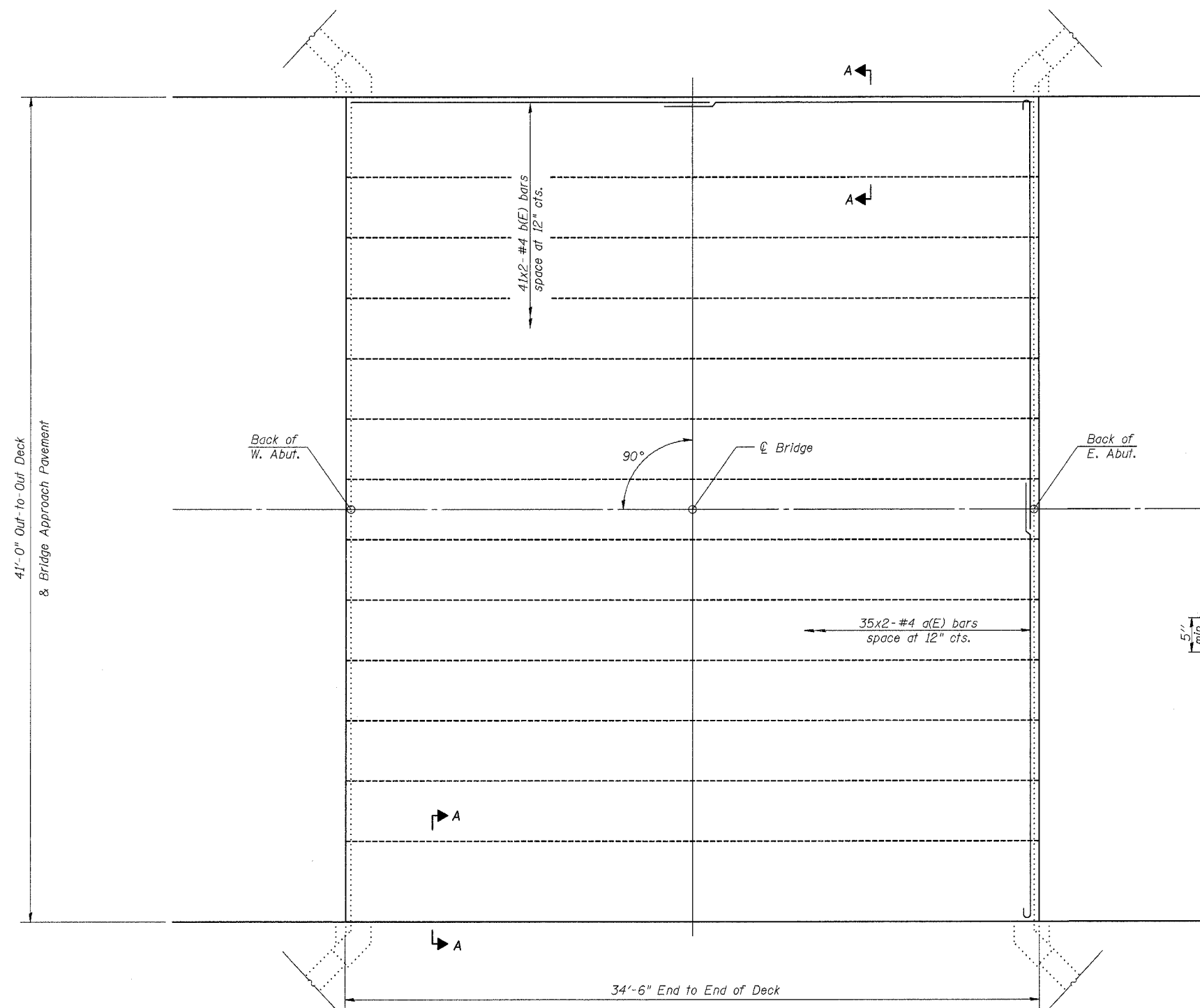


ROUTE NO.	SECTION	COUNTY	TOTAL SHEETS	SHEET NO.
F.A.P. 749	119(BR-2 & BR-3)	MOULTRIE	37	17
FED. ROAD DIST. NO. 5	ILLINOIS PROJECT			
Sheet 2 of 8			CONTRACT #70347	



MIN. BAR LAP
#4 BAR = 1'-8"

PLAN

Notes:
For remainder of superstructure details, see sheets 3 thru 5 of 8.
Reinforcement bars designated (E) shall be epoxy coated.
Bars indicated thus 35x2-#4 etc. indicates 35 lines of bars with 2 lengths per line.

DESIGNED	T.S.H.
CHECKED	R.V.B.
DRAWN	T.S.H.
CHECKED	M.D.C.

SUPERSTRUCTURE

ILLINOIS ROUTE 133 OVER
JONATHAN CREEK
F.A.P. ROUTE 749 - SEC. 119(BR-2 & BR-3)
MOULTRIE COUNTY
STATION 258+73.50
STRUCTURE NO. 070-0035

CUMMINS ENGINEERING CORPORATION	JOB #: 2114.4
	FILE: 21144SUPER
	DATE: 10/12/05