

ROUTE NO.	SECTION	COUNTY	TOTAL SHEETS	SHEET NO.
F.A.P. 749	119(BR-2 & BR-3)	MOULTRIE	37	35
FED. ROAD DIST. NO. 5	ILLINOIS	PROJECT		

Sheet 12 of 12 CONTRACT #70347

ANCHOR BOLTS FOR RETAINERS
GENERAL NOTES

Holes in the masonry for anchor bolts shall be drilled or according to the manufacturer's recommendation after beams or girders have been erected and adjusted.

Prior to setting the bolts, the holes shall be dry and all dust and loose particles shall be removed by the use of compressed air or vacuuming.

The anchor bolts, furnished and installed and including the epoxy grout or capsules shall not be paid for separately but shall be included in the unit bid price for Precast Prestressed Concrete Deck Beams (17" Depth).

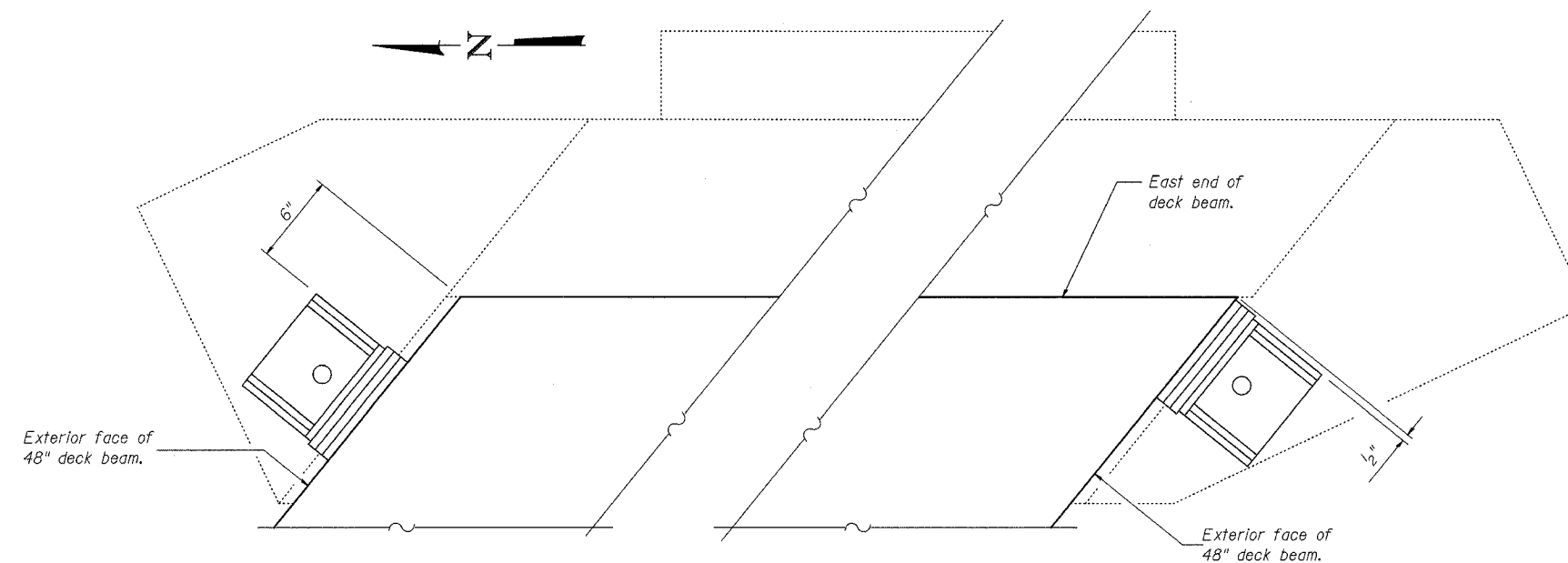
The Contractor may use, at his option, the capsule or the adhesive cartridge type anchor rods that have been previously tested and given a prior approval by the Department. The Contractor shall install these anchor rods in pre-drilled holes according to the manufacturer's recommendations and procedures.

The capsule or the adhesive cartridge type anchor rods shall be a two part system composed of:

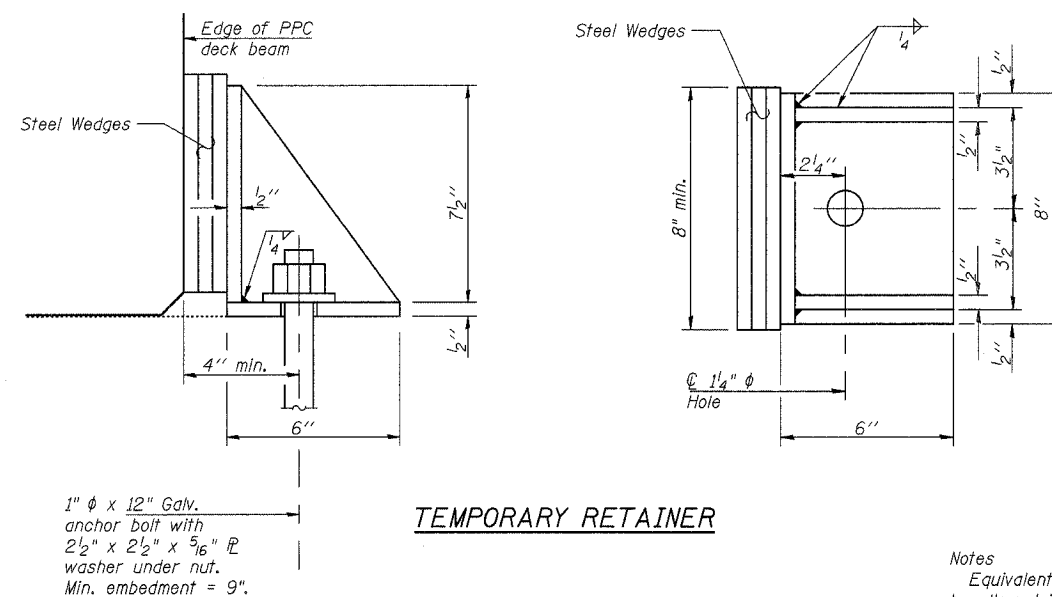
1. A threaded rod stud with nut and washer of the type specified.
2. A sealed capsule or a sealed adhesive cartridge containing premeasured amounts of the adhesive chemical.

Location	Type
Abutments	A307

ASTM F 1554 Grade 105, ASTM A 449 and AASHTO M 314 Grade 105 anchor bolts may be substituted for the anchor bolts shown above.



PLAN VIEW - EAST ABUTMENT



TEMPORARY RETAINER

Notes
Equivalent rolled angle with stiffeners will be allowed in lieu of welded plates.
After block-outs are poured and cured the retainer angles shall be removed. Anchor bolts may be left in place.
Cost of temporary side retainers, anchor bolts and accessories are included with Precast Prestressed Concrete Deck Beams (17" Depth).

DESIGNED	R.V.B.
CHECKED	T.S.H.
DRAWN	N.L.D.
CHECKED	M.D.C.

TEMPORARY SIDE RETAINER
ILLINOIS ROUTE 133 OVER
DRAINAGE DITCH
F.A.P. ROUTE 749 - SEC. 119(BR-2 & BR-3)
MOULTRIE COUNTY
STATION 453+12.03
STRUCTURE NO. 070-0016

CUMMINS ENGINEERING CORPORATION	JOB #: 2114.3
	FILE: 21143SUB
	DATE: 10/12/05