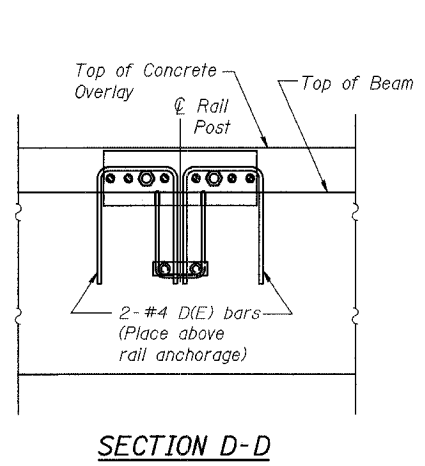
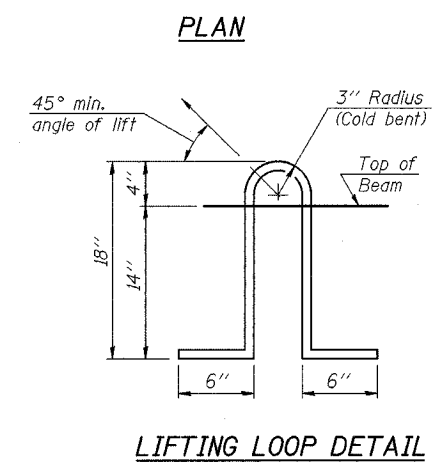
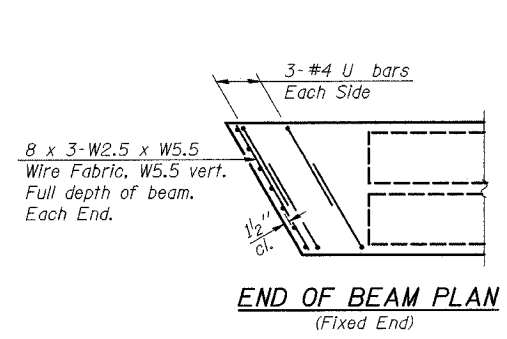
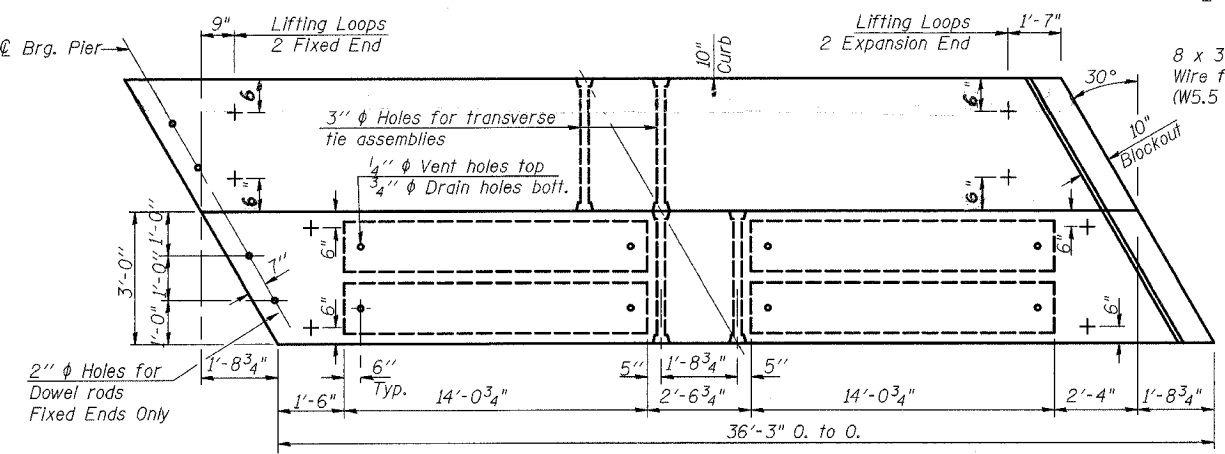


1/2"  $\phi$  Strands, Each Strand Stressed to 30,900 Lbs.  
 9-Strands 1 3/4" up, 4-Strands 3/4" up, 2-Strands 12" up

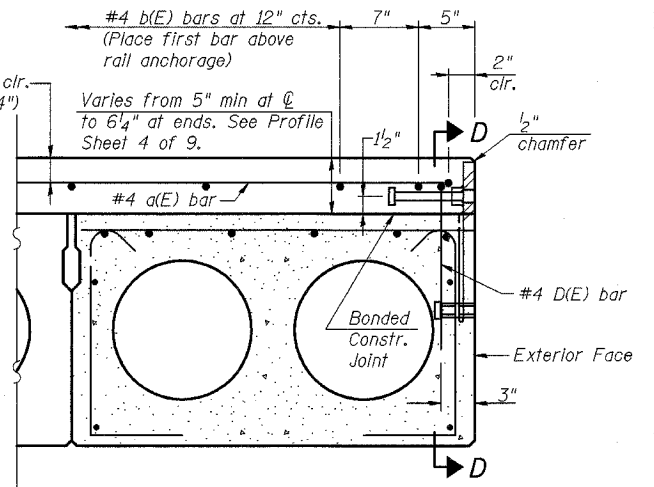
Note:  
 Place strands symmetrically about  $\phi$  of beam.



The rail anchorage shall be cast with the beam and the wearing surface shall be cast in the field. Formwork necessary for the wearing surface may be secured utilizing the bottom rail anchorage inserts and/or additional inserts cast into beam. Drilling into the beam will not be permitted.

**NOTES**

Prestressing steel shall be uncoated high strength, low relaxation 7-wire strand, Grade 270. The nominal diameter shall be 1/2" and the nominal cross-sectional area shall be 0.153 sq. in. Lifting loops shall be 2-1/2"  $\phi$  270 ksi strands, as shown. The 1"  $\phi$  rods in the transverse tie assembly shall be tightened to a snug fit and the threads set. Pockets that receive transverse tie bar on outside shall be filled with grout after transverse tie assembly is in place. Non prestressing steel shall conform to AASHTO M-31 or M-322 Grade 60. The bearing seat surfaces shall be adjusted by shimming to assure firm and even bearing. Two 1/8" fabric adjusting shims of the dimensions of the Exterior Bearing Pad shall be provided for each bearing. Keyway surfaces shall be cleaned to remove form oil or other bond breaking material prior to shipment of the beams. Cleaning shall be done by sandblasting the keyway areas between top of the beam and the bottom edge of the key. Corrosion Inhibitor, as covered in the Special Provisions, shall be used in the concrete for precast prestressed concrete deck beams. Required Release Strength,  $f'_{ci}$ , shall be 4,000 p.s.i. Bridge rail inserts and D(E) bars shall be cast in precast beams. See sheet 2 and 4 of 9 for location of rail inserts. Reinforcement bars designated (E) shall be epoxy coated.



See Section Thru Interior Beams for strand pattern, dimensions and bar call outs.

**BILL OF MATERIAL**

Precast Prestressed Conc. Deck Bms. (17" Depth)	Sq. Ft.	2393
---	---------	------

ILLINOIS DEPARTMENT OF TRANSPORTATION  
**SUPERSTRUCTURE DETAILS**  
 IL ROUTE 49 OVER A TRIBUTARY OF THE LITTLE VERMILION RIVER  
 F.A.P. ROUTE 836 SECTION 118BR  
 CHAMPAIGN COUNTY  
 STATION 664+76.09  
 STRUCTURE NO. 010-0236