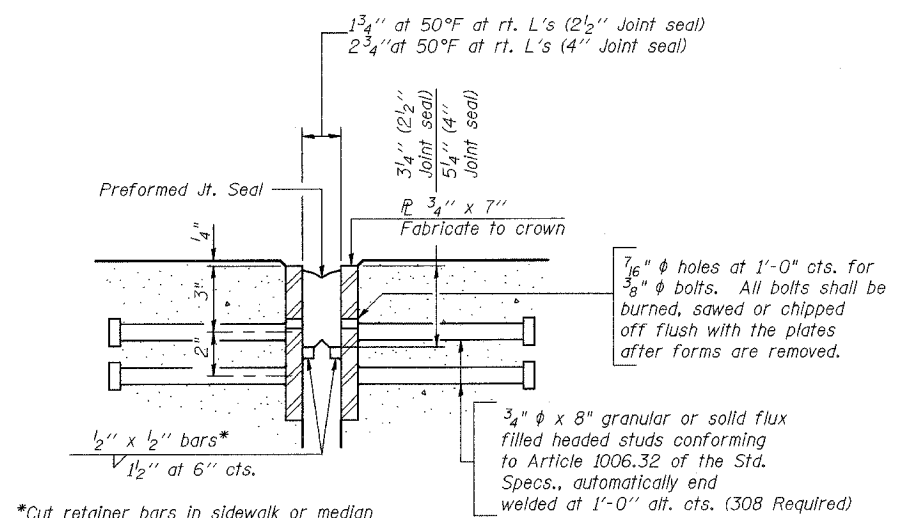


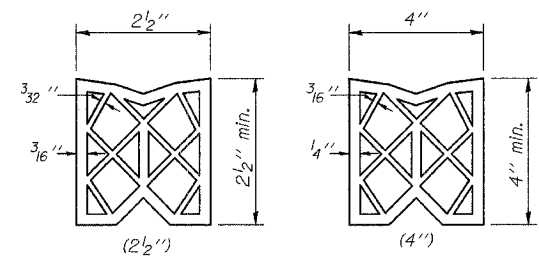
**GENERAL NOTES**

Furnish steel plates in segments of 20 feet maximum length. Maximum space between installed segments shall be  $\frac{3}{16}$ ". Seal space with silicone sealant suitable for structural steel.

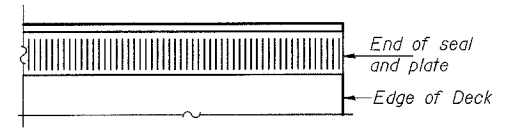
Bridge Joint System (Expansion)		
Design Movement	Required Preformed Joint Seal Size	Required Strip Seal Rated movement
1"	2 $\frac{1}{2}$ "	1"
1 $\frac{5}{8}$ "	4"	2"



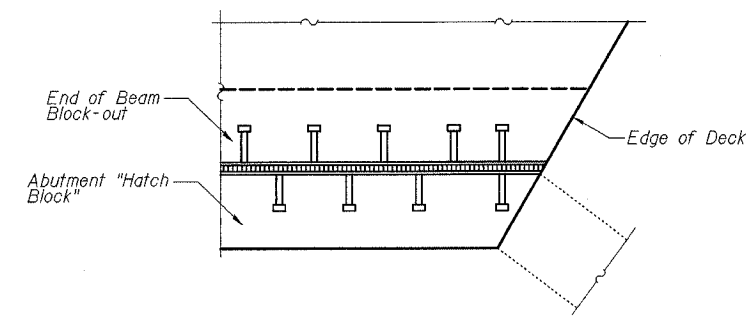
**SECTION THRU EXPANSION JOINT**  
(2 $\frac{1}{2}$ " and 4" joint seals)



**PREFORMED JOINT SEAL**



**END TREATMENT ELEVATION**  
(Showing seal and plate)



**END TREATMENT PLAN**

**BILL OF MATERIAL**

Item	Unit	Total
Bridge Joint System (Expansion)	Foot	76.0

(Sheet 1 of 2)

ILLINOIS DEPARTMENT OF TRANSPORTATION  
**BRIDGE JOINT SYSTEM - EXPANSION**  
**(PREFORMED JOINT SEALER)**  
 IL ROUTE 49 OVER A TRIBUTARY OF  
 THE LITTLE VERMILION RIVER  
 F.A.P. ROUTE 836 SECTION 118BR  
 CHAMPAIGN COUNTY  
 STATION 664+76.09  
 STRUCTURE NO. 010-0236

DATE: JUNE 2005

DRAWN BY: NJV/MLO  
 CHECKED BY: SJK