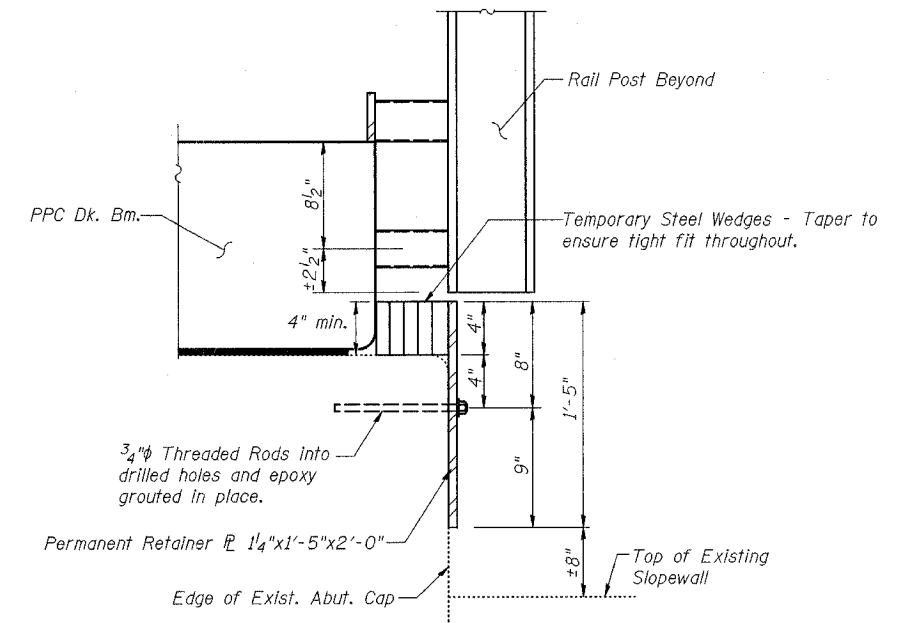
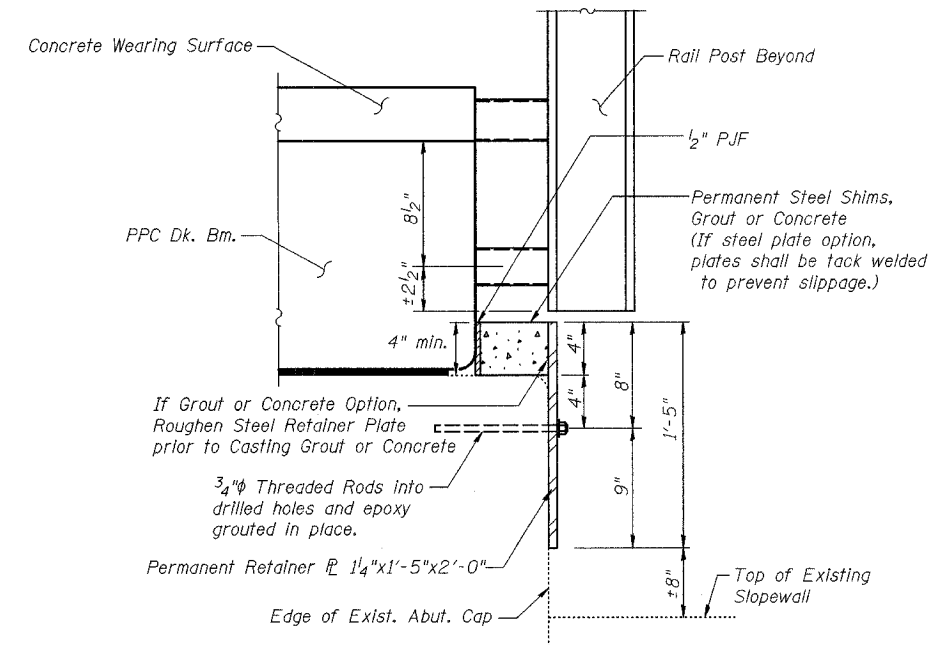


Note:
After temporary steel wedges are removed, permanent steel shims, grout or concrete shall be cast against the P.J.F. to the top of the retainer plate. Cost of retainers and accessories included with Precast Prestressed Concrete Deck Beams (17" Depth).

SIDE RETAINER PLAN



SECTION A-A
(Showing Temporary Steel Wedges)



SECTION A-A
(Showing Permanent Retainer)

GENERAL NOTES

All steel plates used shall conform to the requirements of AASHTO M270 Grade 36.
All structural steel to remain permanently shall be galvanized after shop fabrication according to AASHTO M111 and ASTM A385.

ANCHOR BOLTS FOR RETAINERS

Holes in the concrete for anchor bolts shall be drilled according to the manufacturer's recommendation after beams or girders have been erected and adjusted.
Prior to setting the bolts, the holes shall be dry and all dust and loose particles shall be removed by the use of compressed air or vacuuming.
The anchor bolts, furnished and installed and including the epoxy grout or capsules shall not be paid for separately but shall be included in the unit bid price for Precast Prestressed Concrete Deck Beams (17" Depth).
The minimum ultimate tensile capacity of the epoxy threaded rod unit shall be 24 kips including reductions for edge distance and spacing.
The Contractor may use, at his option, the capsule or the adhesive cartridge type anchor rods that have been previously tested and given a prior approval by the Department. The Contractor shall install these anchor rods in pre-drilled holes according to the manufacturer's recommendations and procedures.
The capsule or the adhesive cartridge type anchor rods shall be a two part system composed of:
1. A threaded rod stud, with nut and washer, conforming to ASTM A193 B7 or AASHTO M253.
2. A sealed capsule or a sealed adhesive cartridge containing premeasured amounts of the adhesive chemical.

Location	Size	Embedded Depth
Abut.	3/4" φ	6 3/4"

ILLINOIS DEPARTMENT OF TRANSPORTATION
SUBSTRUCTURE DETAILS
IL ROUTE 49 OVER A TRIBUTARY OF THE LITTLE VERMILION RIVER
F.A.P. ROUTE 836 SECTION 118BR
CHAMPAIGN COUNTY
STATION 664+76.09
STRUCTURE NO. 010-0236

DATE: JUNE 2005
DRAWN BY: NJV/MLD
CHECKED BY: SJK