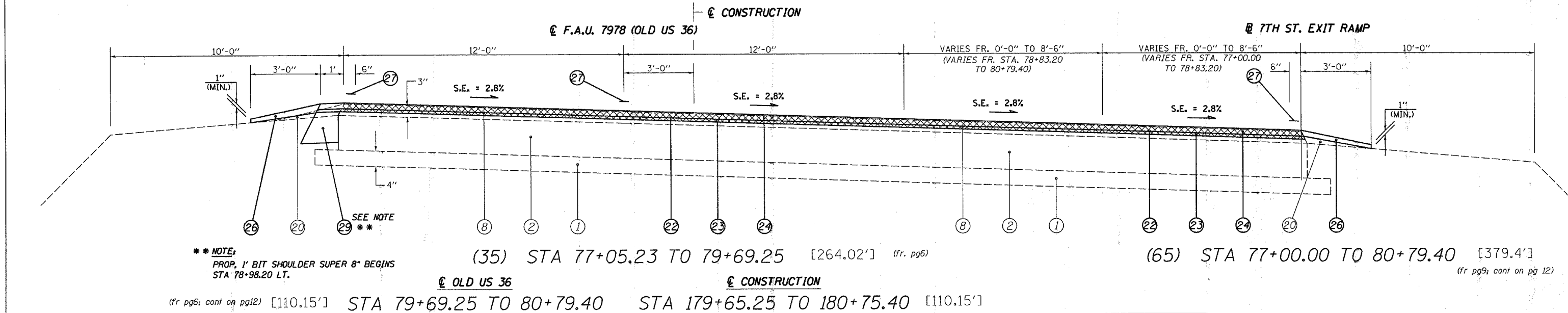
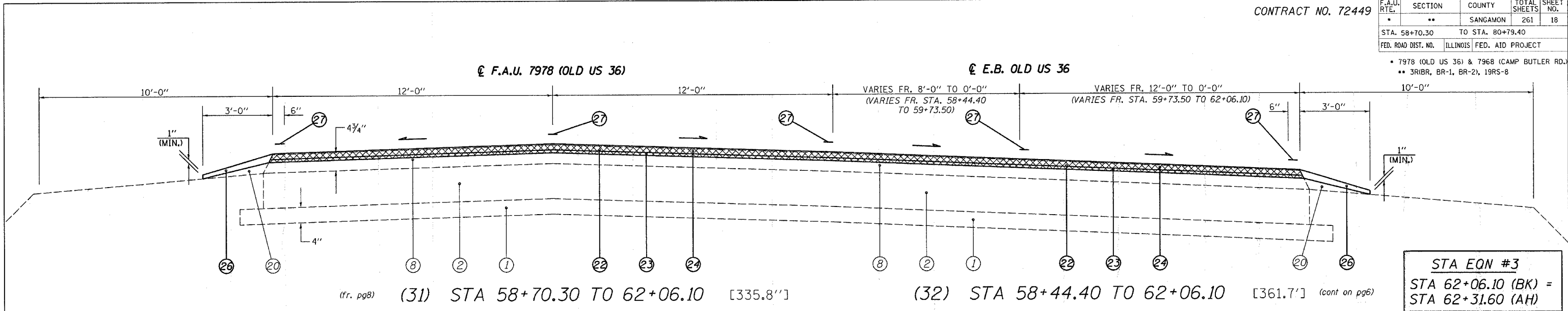


CONTRACT NO. 72449

F.A.U. RTE.	SECTION	COUNTY	TOTAL SHEETS	SHEET NO.
*	**	SANGAMON	261	18
STA. 58+70.30		TO STA. 80+79.40		
FED. ROAD DIST. NO.		ILLINOIS FED. AID PROJECT		

* 7978 (OLD US 36) & 7968 (CAMP BUTLER RD.)
 ** 3R1BR, BR-1, BR-2, 19RS-8



*** NOTE:
 PROP. 1" BIT SHOULDER SUPER 8" BEGINS
 STA 78+98.20 LT.

LEGEND	
1	EXIST. SUB-BASE GRANULAR MATERIAL
2	EXIST. P.C.C. PAVEMENT 9"
3	EXIST. P.C.C. PAVEMENT 9"-6"-9"
4	EXIST. P.C.C. PAVEMENT 10"
5	EXIST. BITUMINOUS BASE COURSE 10"
6	EXIST. P.C.C. BASE COURSE WIDENING 9"
7	EXIST. STABILIZED BASE COURSE 10"
8	EXIST. BITUMINOUS OVERLAY
9	EXIST. BITUMINOUS SHOULDERS
10	EXIST. PIPE UNDERDRAIN 6"
11	EXIST. CONCRETE GUTTER, TYPE A (MODIFIED)
12	EXIST. CONCRETE GUTTER, TYPE B
13	EXIST. CONCRETE GUTTER, TYPE C (MODIFIED)
14	EXIST. P.C.C. CURB & GUTTER, TYPE 10 (MODIFIED)
15	EXIST. P.C.C. CURB & GUTTER, TYPE 6
16	EXIST. P.C.C. CURB & GUTTER, TYPE 6 (MODIFIED)
17	EXIST. P.C.C. CURB & GUTTER, TYPE 7
18	EXIST. P.C.C. CURB, TYPE 4
19	EXIST. P.C.C. CURB, TYPE 10 (MODIFIED)
20	EXIST. AGGREGATE SHOULDERS, TYPE B
21	PROP. BITUMINOUS SURFACE REMOVAL (VARIABLE DEPTH) *
22	PROP. BITUMINOUS SURFACE REMOVAL 2"
23	PROP. LEVELING BINDER (MACHINE METHOD), SUPERPAVE N70 3/4"
24	PROP. BITUMINOUS CONCRETE SURFACE COURSE, SUPERPAVE, MIX "D", N70 1 1/2"
25	PROP. BITUMINOUS SHOULDERS SUPERPAVE
26	PROP. AGGREGATE SHOULDERS, TYPE B
27	PROP. PAINT PAVEMENT MARKING - LINE 5"
28	PROP. CONCRETE GUTTER, TYPE A (MODIFIED)
29	PROP. BITUMINOUS SHOULDER SUPERPAVE 8"
30	PROP. GRADING AND SHAPING SHOULDERS

* NOMINAL MILLING DEPTH 1/2"

STA EQN #5
 STA 77+67.23 (BK) =
 STA 77+62.00 (AH)

STA EQN #6
 STA 79+69.25 (BK) =
 STA 179+65.25 (AH)

FULL S.E.: (S.E.#8 = 2.8%)
 STA 80+68.30 TO 102+12.40
 S.E. TRANSITION:
 STA 78+88.70 TO 80+68.30
 STA 102+12.40 TO 107+42.80

NOT TO SCALE

REVISIONS		ILLINOIS DEPARTMENT OF TRANSPORTATION	
NAME	DATE	TYPICAL SECTIONS	
		F.A.U. Route 7978 (OLD US 36) & F.A.U. Route 7968 (CAMP BUTLER RD.) Section 3R(BR, BR-1, BR-2), 19RS-8 SANGAMON COUNTY	
		SCALE: VERT. HORIZ.	DRAWN BY: JWC
		DATE: JULY 20, 2005	CHECKED BY: RSC

(7TH ST. ENTR. RAMP / OLD US 36)

• DGN-SPEC
 • DATE-TIME
 • REF:01