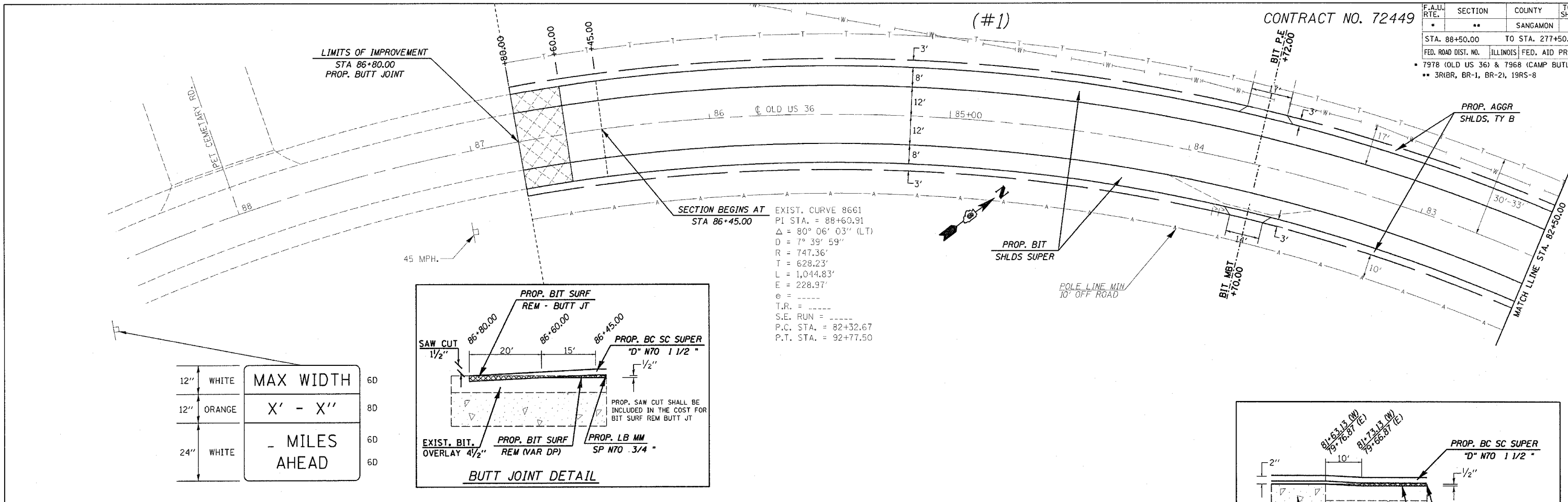
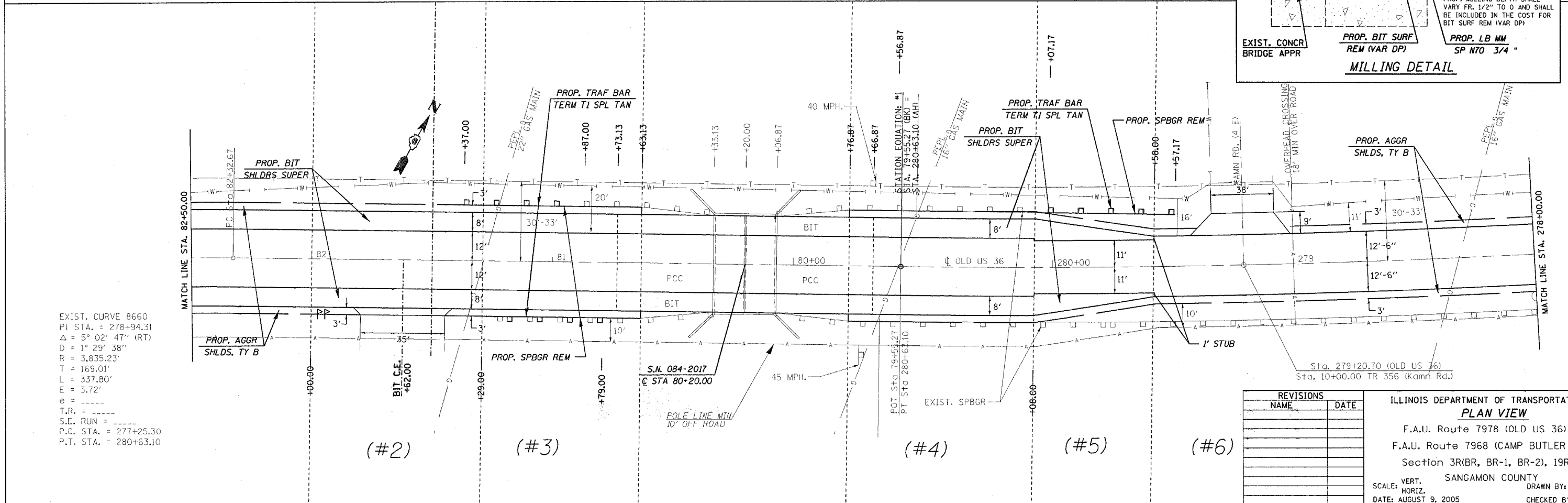
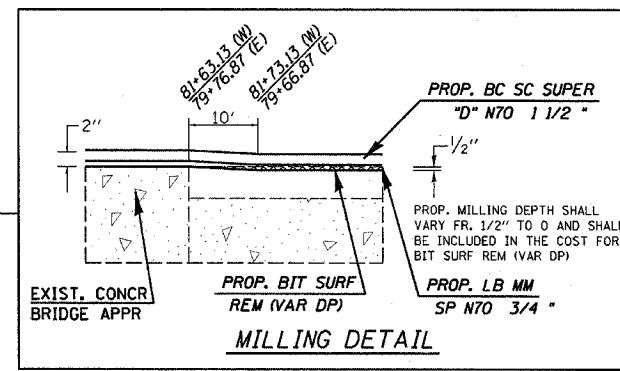
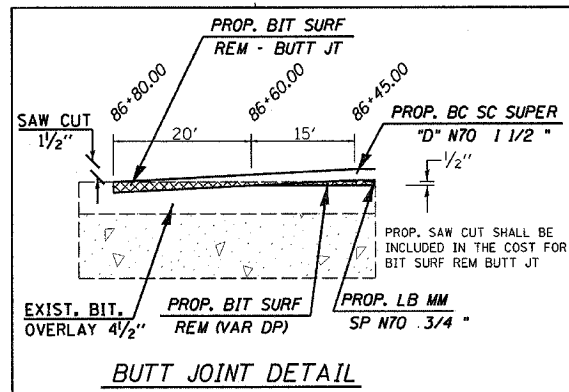


CONTRACT NO. 72449

F.A.U. RTE.	SECTION	COUNTY	TOTAL SHEETS	SHEET NO.
*	**	SANGAMON	261	57
STA. 88+50.00 TO STA. 277+50.00				
FED. ROAD DIST. NO. ILLINOIS FED. AID PROJECT				
* 7978 (OLD US 36) & 7968 (CAMP BUTLER RD.)				
** 3R(BR, BR-1, BR-2), 19RS-8				



12"	WHITE	MAX WIDTH	6D
12"	ORANGE		8D
24"	WHITE	- MILES AHEAD	6D
			6D



REVISIONS	
NAME	DATE

ILLINOIS DEPARTMENT OF TRANSPORTATION
PLAN VIEW
 F.A.U. Route 7978 (OLD US 36) &
 F.A.U. Route 7968 (CAMP BUTLER RD.)
 Section 3R(BR, BR-1, BR-2), 19RS-8
 SANGAMON COUNTY
 SCALE: VERT. _____ DRAWN BY: JWC
 HORIZ. _____ CHECKED BY: RSC
 DATE: AUGUST 9, 2005

DATE = 11/3/2005
 FILE NAME = c:\projects\662182\shp\lane10010.dgn
 PLOT SCALE = 24.0000 / IN.
 USER NAME = cabriera