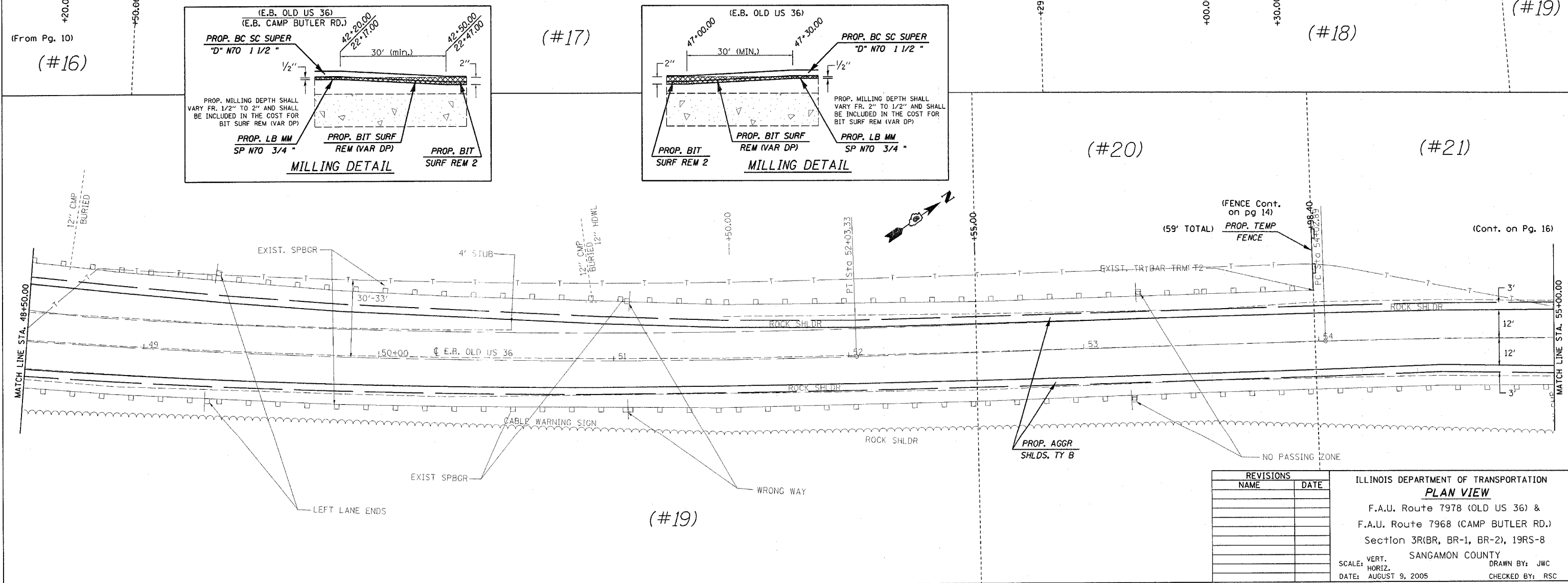
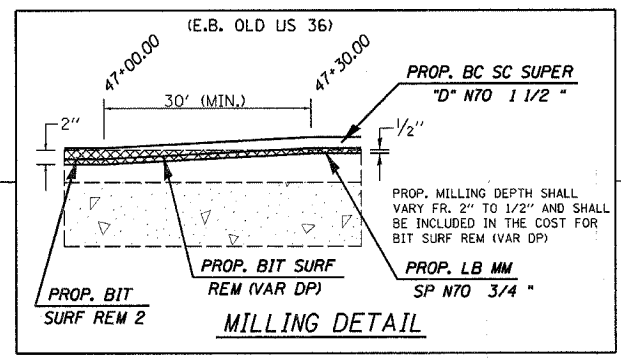
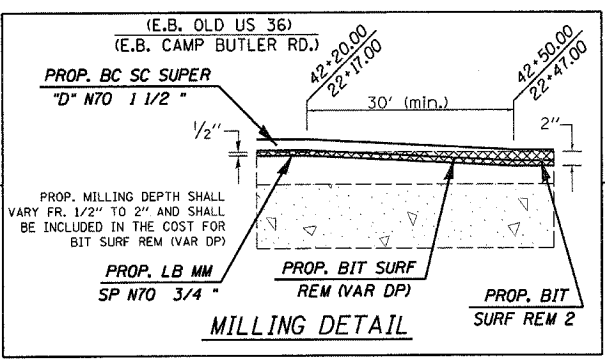
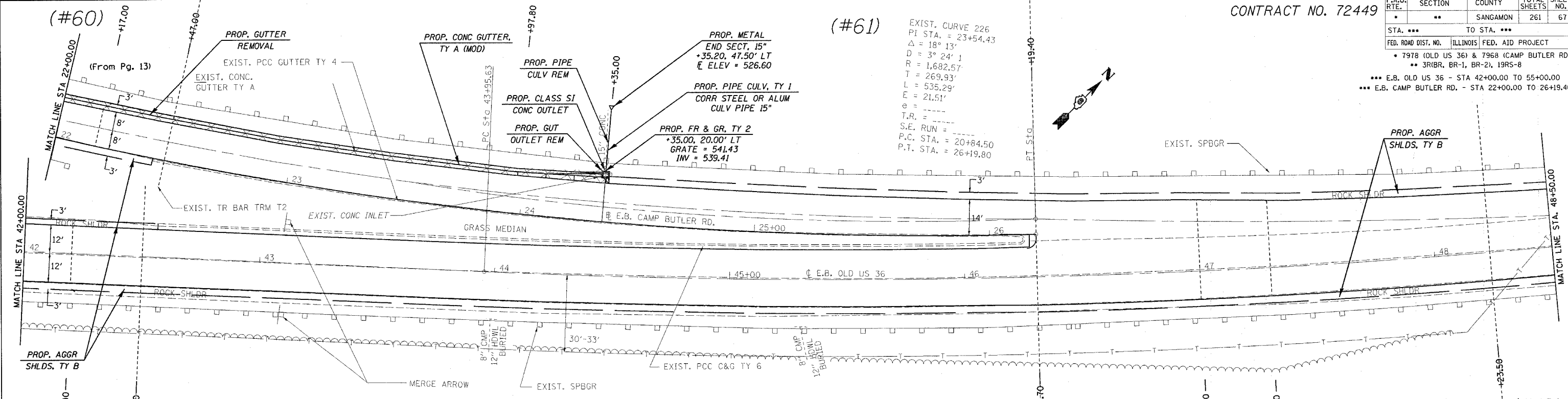


CONTRACT NO. 72449

F.A.U. RTE.	SECTION	COUNTY	TOTAL SHEETS	SHEET NO.
..	..	SANGAMON	261	67
STA. ...		TO STA. ...		
FED. ROAD DIST. NO. ILLINOIS FED. AID PROJECT				
* 7978 (OLD US 36) & 7968 (CAMP BUTLER RD)				
** 3R1BR, BR-1, BR-2, 19RS-8				
*** E.B. OLD US 36 - STA 42+00.00 TO 55+00.00				
*** E.B. CAMP BUTLER RD. - STA 22+00.00 TO 26+19.80				



REVISIONS	
NAME	DATE

ILLINOIS DEPARTMENT OF TRANSPORTATION
PLAN VIEW
 F.A.U. Route 7978 (OLD US 36) &
 F.A.U. Route 7968 (CAMP BUTLER RD.)
 Section 3R1BR, BR-1, BR-2, 19RS-8
 SANGAMON COUNTY
 SCALE: VERT. _____
 HORIZ. _____
 DATE: AUGUST 9, 2005
 DRAWN BY: JWC
 CHECKED BY: RSC

(E.B. OLD US 36 & E.B. CAMP BUTLER RD.)

PLOT DATE = 11/27/2005
 FILE NAME = c:\projects\72449\shplone0011.dgn
 PLOT SCALE = 20.0000 1/1 IN.
 USER NAME = coxj

shplone0011.dgn
 Chems E001