

CONTRACT NO. 72449

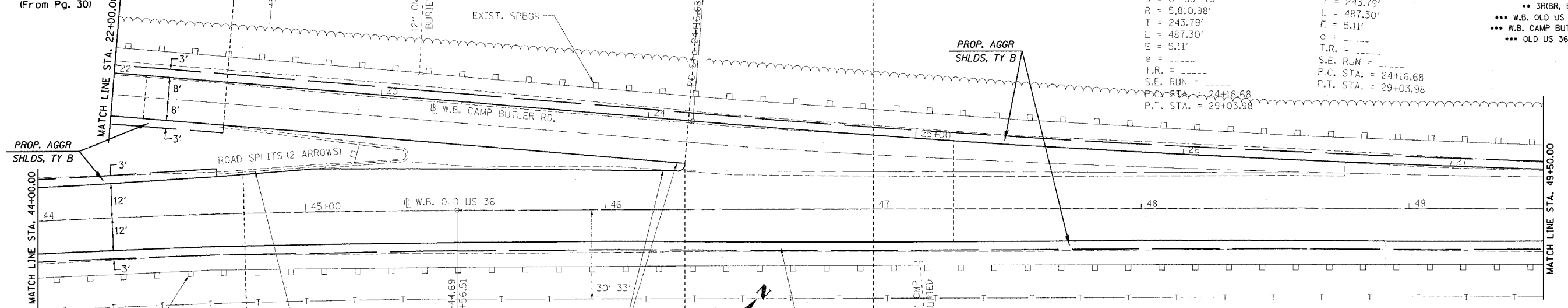
F.A.U. RTE.	SECTION	COUNTY	TOTAL SHEETS	SHEET NO.
•	••	SANGAMON	261	71

STA. \*\*\* TO STA. \*\*\*  
 FED. ROAD DIST. NO. ILLINOIS FED. AID PROJECT  
 • 7978 (OLD US 36) & 7968 (CAMP BUTLER RD.)  
 • 3R(BR, BR-1, BR-2), 19RS-8  
 •• W.B. OLD US 36 - STA 44+00.00 TO STA 49+50.00  
 ••• W.B. CAMP BUTLER - STA 22+00.00 TO STA 27+34.53  
 ••• OLD US 36 - STA 49+50.00 TO STA 55+00.00

EXIST. CURVE 223  
 PI STA. = 26+60.48  
 $\Delta = 4^\circ 48' 17''$  (LT)  
 $D = 0^\circ 59' 10''$   
 $R = 5,810.98'$   
 $L = 243.79'$   
 $T = 243.79'$   
 $E = 5.11'$   
 $P.C. STA. = 24+16.68$   
 $P.T. STA. = 29+03.98$

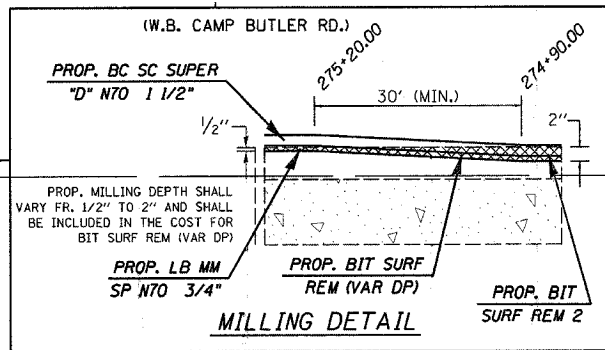
(#63)  
(From Pg. 30)

(#64)



(From Pg. 14)

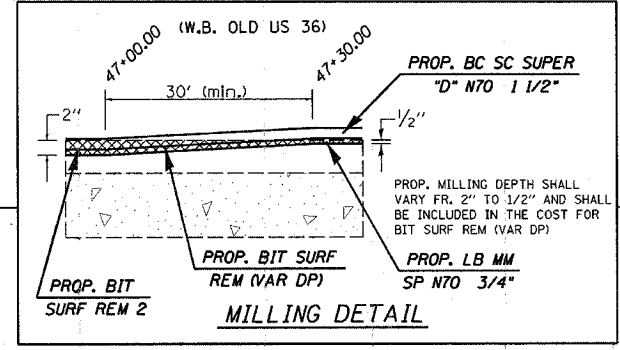
(#25)



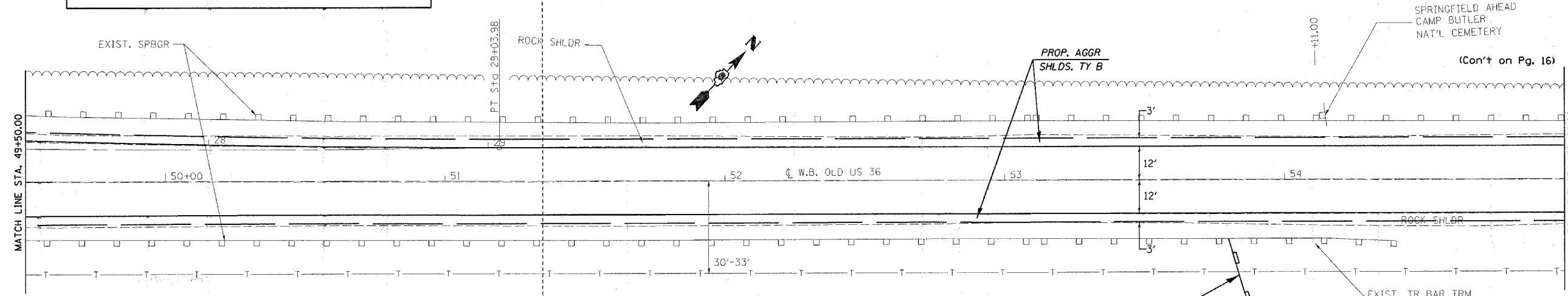
(#26)

(#27)

(#28)



(#29)



(#28)

**NOTE:**  
 TEMP. FENCE PLACEMENT IS PROPOSED TO PROVIDE ADEQUATE PROTECTION OF EXIST. WETLAND AREA BETWEEN E.B. CAMP BUTLER RD. AND W.B. OLD US 36 BEYOND THE AREA OF VIEW OF THE PLAN SHEETS.

REVISIONS	
NAME	DATE

ILLINOIS DEPARTMENT OF TRANSPORTATION  
**PLAN VIEW**  
 F.A.U. Route 7978 (OLD US 36) &  
 F.A.U. Route 7968 (CAMP BUTLER RD.)  
 Section 3R(BR, BR-1, BR-2), 19RS-8  
 SANGAMON COUNTY  
 SCALE: VERT. \_\_\_\_\_ DRAWN BY: JWC  
 HORIZ. \_\_\_\_\_ DATE: AUGUST 9, 2005 CHECKED BY: RSC

(W.B. OLD US 36, W.B. CAMP BUTLER RD. & OLD US 36)

PLOT DATE = 11/2/2005  
 FILE NAME = c:\projects\72449\shp\plan03a27.dgn  
 PLOT SCALE = 28.0000' / 1\"/>

shp\plan03a27.dgn  
 Chair E883