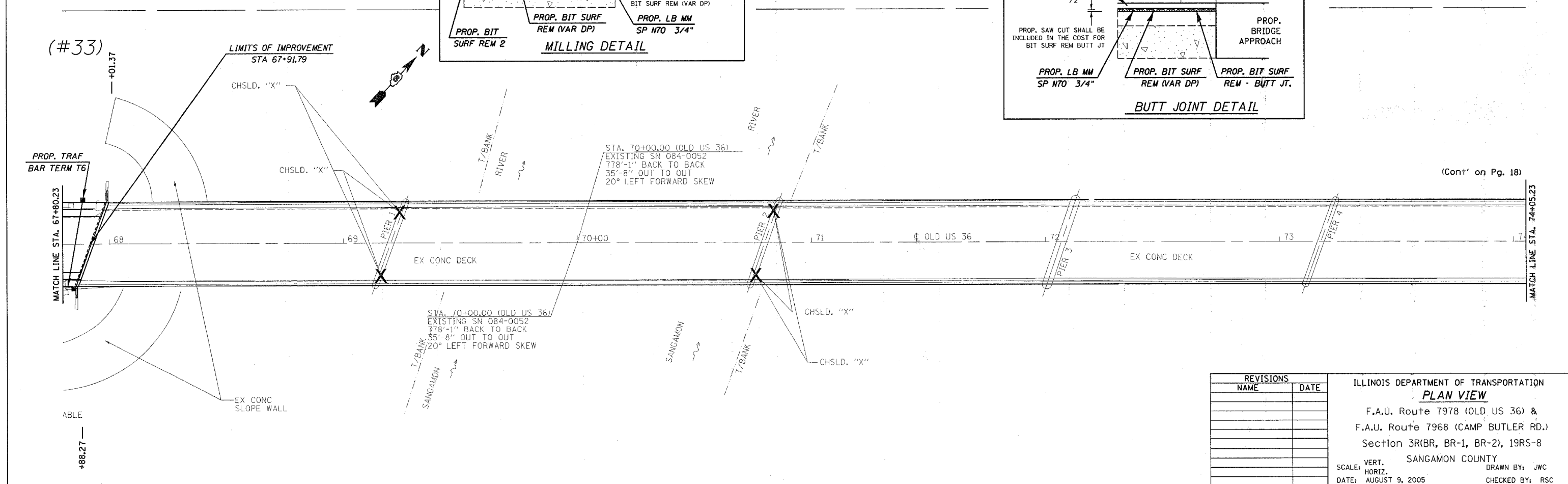
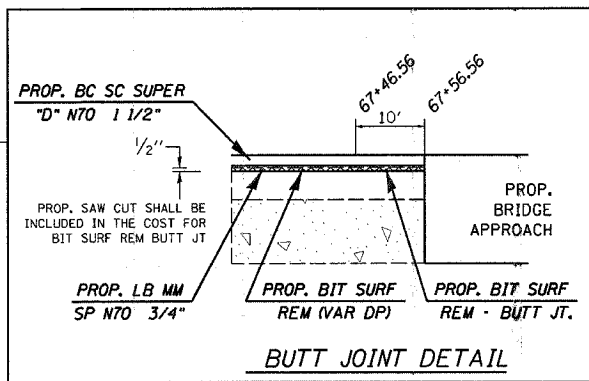
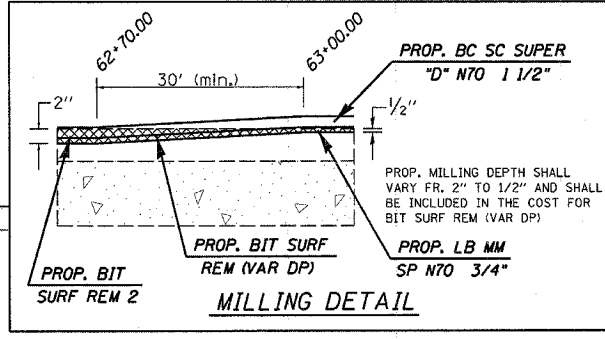
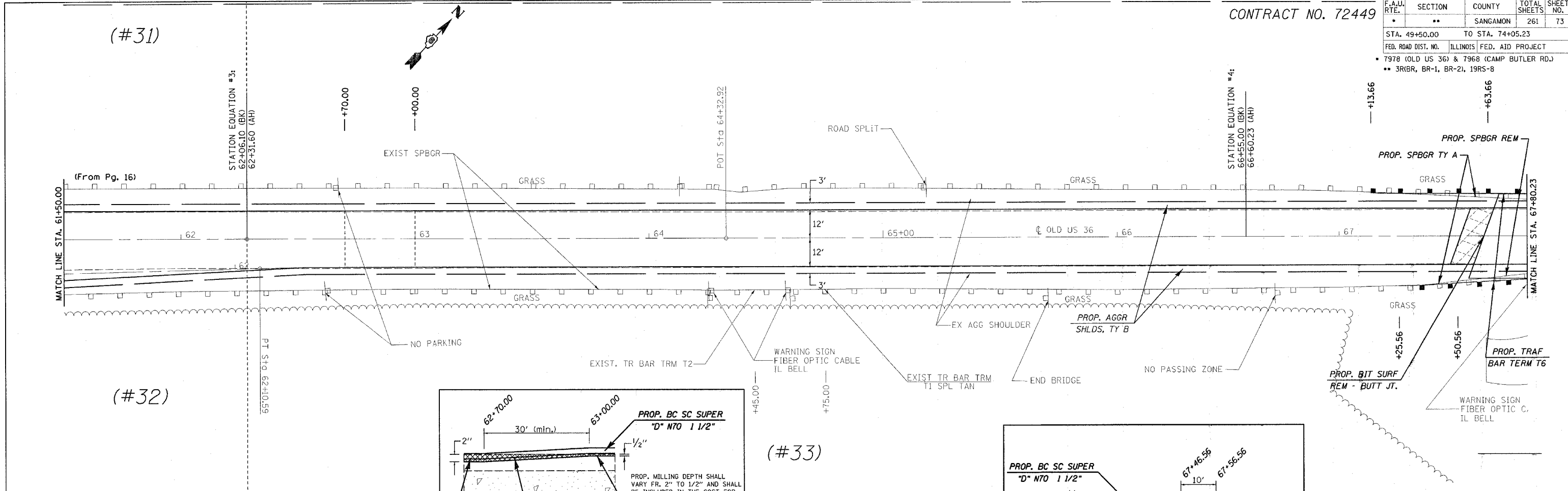


CONTRACT NO. 72449

F.A.U. RTE.	SECTION	COUNTY	TOTAL SHEETS	SHEET NO.
*	**	SANGAMON	261	73
STA. 49+50.00 TO STA. 74+05.23				
FED. ROAD DIST. NO. ILLINOIS FED. AID PROJECT				
* 7978 (OLD US 36) & 7968 (CAMP BUTLER RD.)				
** 3R(BR, BR-1, BR-2), 19RS-8				



REVISIONS	
NAME	DATE

ILLINOIS DEPARTMENT OF TRANSPORTATION  
**PLAN VIEW**  
 F.A.U. Route 7978 (OLD US 36) &  
 F.A.U. Route 7968 (CAMP BUTLER RD.)  
 Section 3R(BR, BR-1, BR-2), 19RS-8  
 SANGAMON COUNTY  
 SCALE: VERT.      DRAWN BY: JWC  
           HORIZ.      CHECKED BY: RSC  
 DATE: AUGUST 9, 2005

PLOT DATE = 11/2/2005  
 FILE NAME = s:\projects\72449\shpplane003a27.dgn  
 PLOT SCALE = 20.0000 X 1 IN.  
 USER NAME = cexjn

shpplane003a27.dgn  
 Choini E003