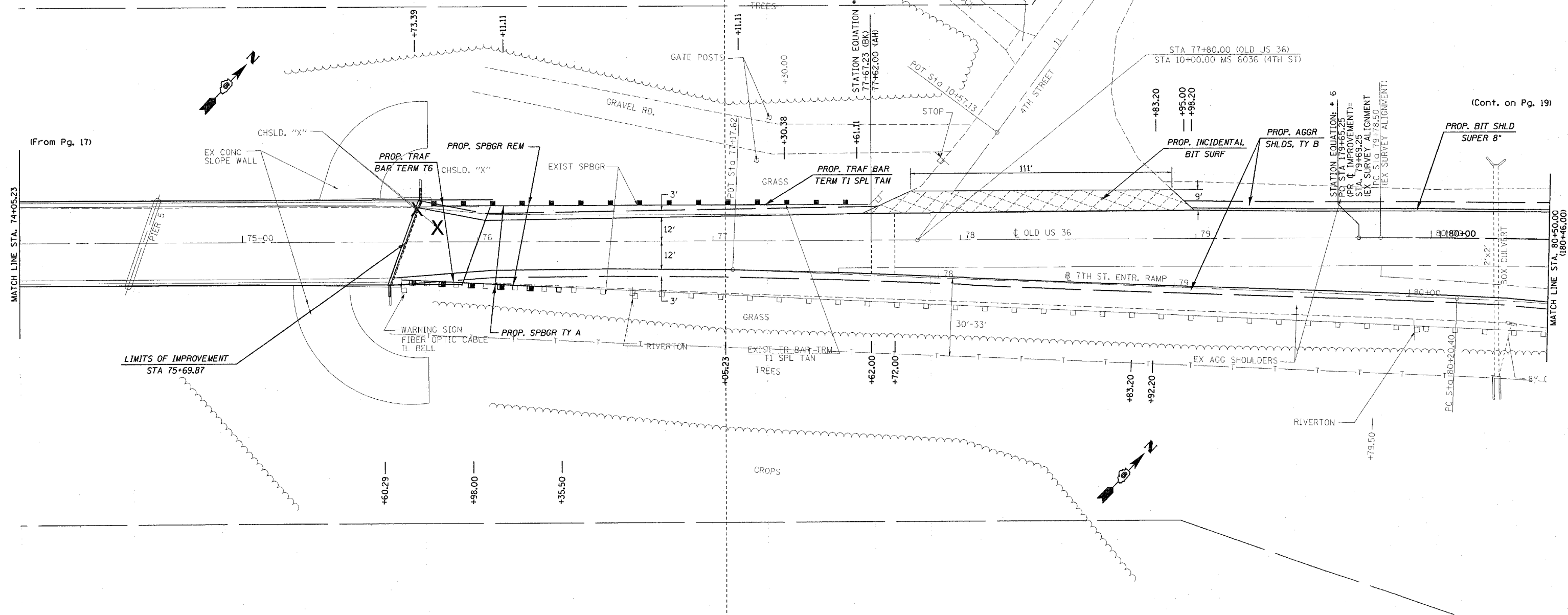
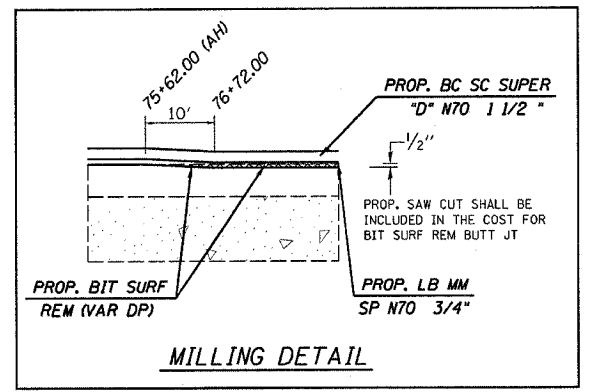


CONTRACT NO. 72449

(#35)

F.A.U. RTE.	SECTION	COUNTY	TOTAL SHEETS	SHEET NO.
•	••	SANGAMON	261	74
STA. 74+05.23		TO STA. 180+45.30		
FED. ROAD DIST. NO. ILLINOIS FED. AID PROJECT				
• 7978 (OLD US 36) & 7968 (CAMP BUTLER RD.)				
•• 3R(BR, BR-1, BR-2), 19RS-8				



(Cont. on Pg. 19)

PLOT DATE = 11/2/2005
 FILE NAME = s:\projects\72449\shp\plan\03b3b.dgn
 PLOT SCALE = 20,000.00 / 1" = 1000.00'
 USER NAME = coxjm

shp\plan\03b3b.dgn
 Chain: E003

REVISIONS	
NAME	DATE

ILLINOIS DEPARTMENT OF TRANSPORTATION
PLAN VIEW
 F.A.U. Route 7978 (OLD US 36) &
 F.A.U. Route 7968 (CAMP BUTLER RD.)
 Section 3R(BR, BR-1, BR-2), 19RS-8
 SANGAMON COUNTY
 VERT. SCALE: DRAWN BY: JWC
 HORIZ. SCALE: CHECKED BY: RSC
 DATE: AUGUST 9, 2005

(#34)

(#65)

(OLD US 36)