

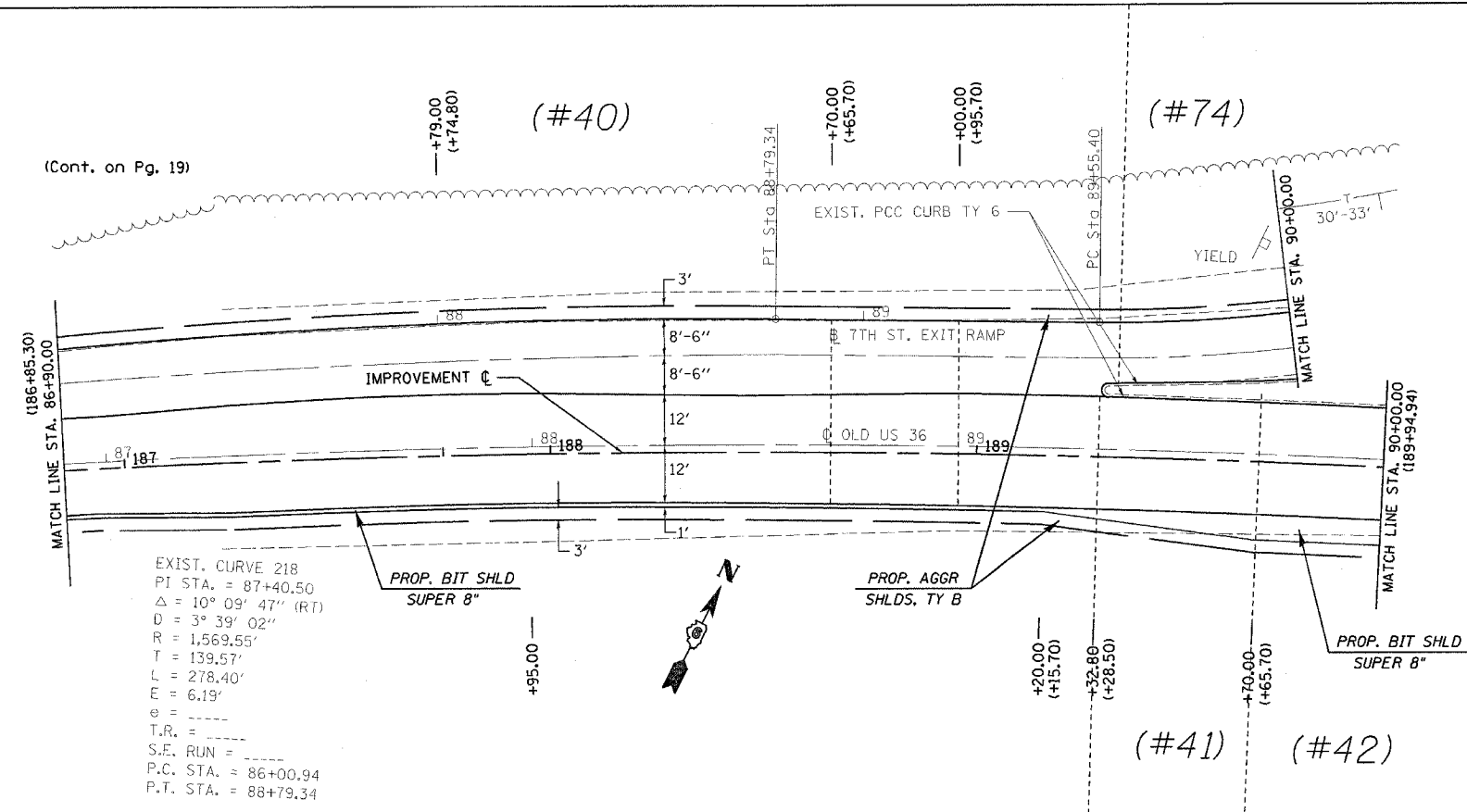
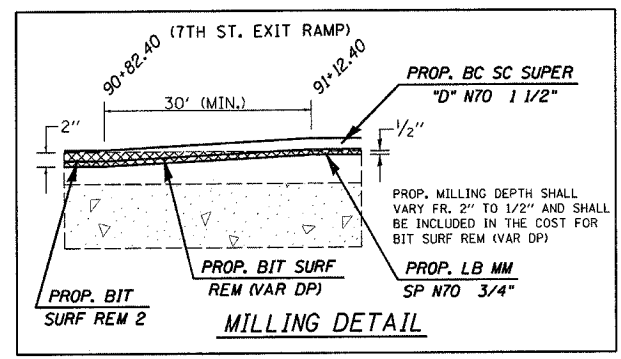
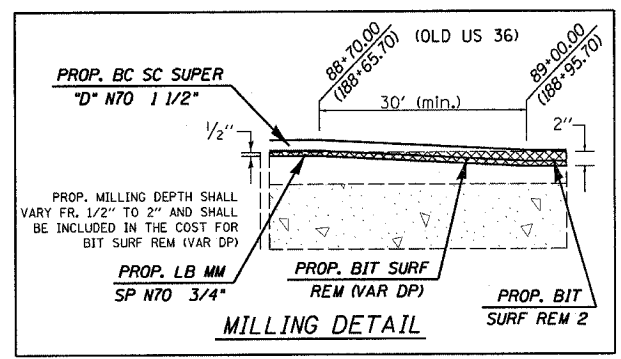
CONTRACT NO. 72449

F.A.U. RTE.	SECTION	COUNTY	TOTAL SHEETS	SHEET NO.
*	**	SANGAMON	261	76

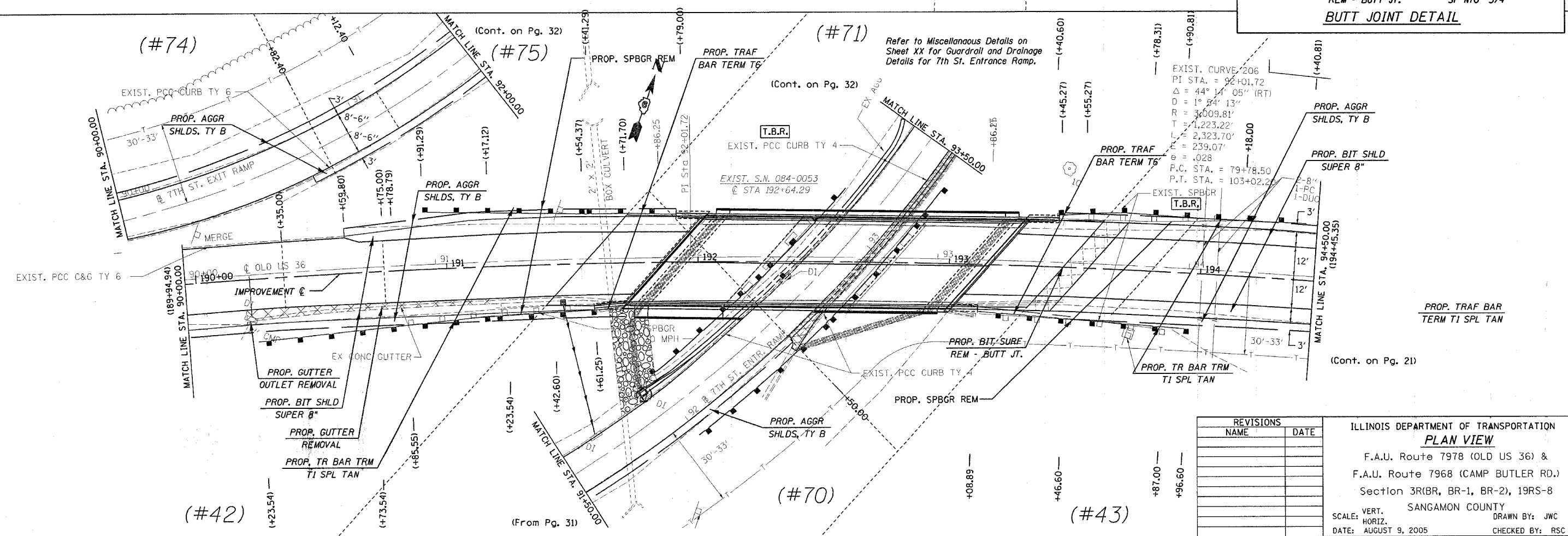
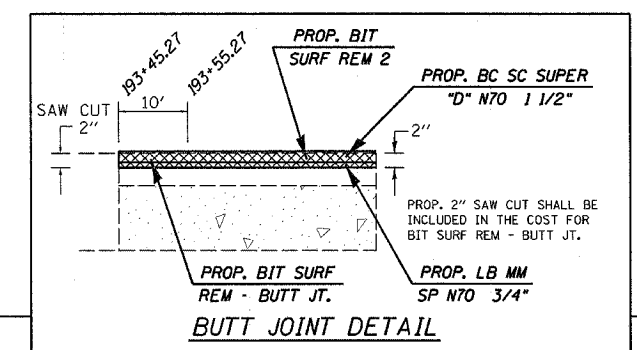
STA. ... TO STA. ...

FED. ROAD DIST. NO. ILLINOIS FED. AID PROJECT

- * 7978 (OLD US 36) & 7968 (CAMP BUTLER RD.)
- ** 3R(BR, BR-1, BR-2), 19RS-8
- *** W.B. OLD US 36 - STA 40+00.00 TO STA 49+50.00
- *** W.B. CAMP BUTLER - STA 22+00.00 TO STA 27+34.53



EXIST. CURVE 218
 PI STA. = 87+40.50
 $\Delta = 10^\circ 09' 47''$ (RT)
 $D = 3^\circ 39' 02''$
 $R = 1,569.55'$
 $T = 139.57'$
 $L = 278.40'$
 $E = 6.19'$
 $e = \dots$
 $T.R. = \dots$
 $S.E. RUN = \dots$
 $P.C. STA. = 86+00.94$
 $P.T. STA. = 88+79.34$



EXIST. CURVE 206
 PI STA. = 92+01.72
 $\Delta = 44^\circ 14' 05''$ (RT)
 $D = 1^\circ 54' 13''$
 $R = 3,009.81'$
 $T = 1,223.22'$
 $L = 2,323.70'$
 $E = 239.07'$
 $e = .028$
 $P.C. STA. = 79+78.50$
 $P.T. STA. = 103+02.20$

REVISIONS	
NAME	DATE

ILLINOIS DEPARTMENT OF TRANSPORTATION
PLAN VIEW
 F.A.U. Route 7978 (OLD US 36) &
 F.A.U. Route 7968 (CAMP BUTLER RD.)
 Section 3R(BR, BR-1, BR-2), 19RS-8
 SANGAMON COUNTY
 SCALE: VERT. HORIZ.
 DATE: AUGUST 9, 2005
 DRAWN BY: JWC
 CHECKED BY: RSC

PLOT DATE = 11/27/2005
 FILE NAME = c:\prowork\652182\shp\lane0803a27.dgn
 PLOT SCALE = 20.0000 / IN.
 USER NAME = cox,j

shp\lane0803a27.dgn
 Chain: E003