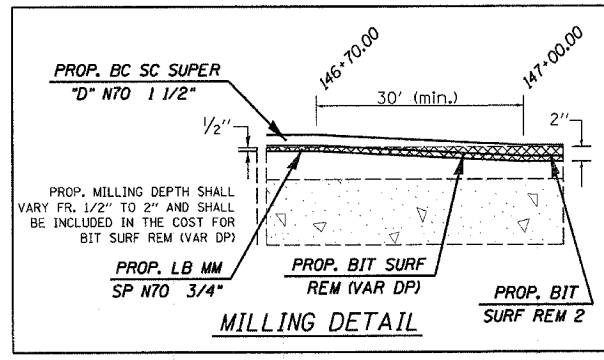
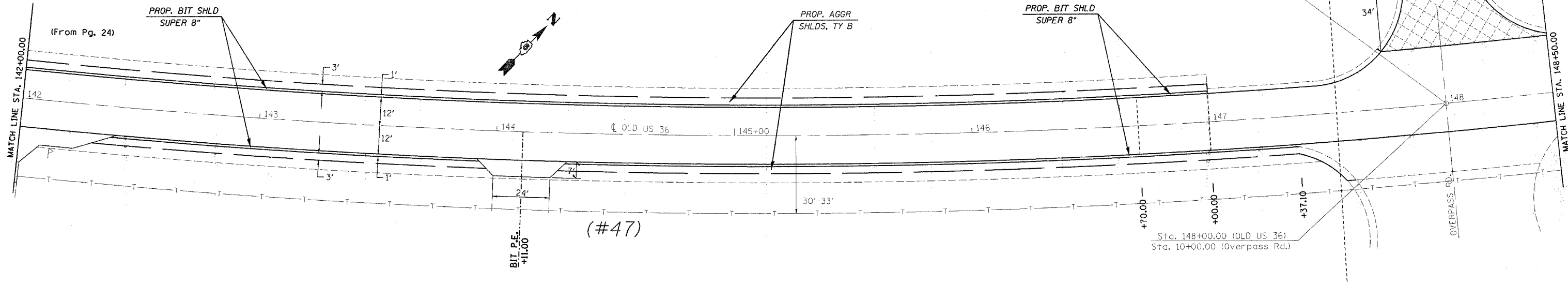


CONTRACT NO. 72449

F.A.U. RTE.	SECTION	COUNTY	TOTAL SHEETS	SHEET NO.
*	**	SANGAMON	261	81
STA. 111+00.00 TO STA. 124+00.00				
FED. ROAD DIST. NO. [ILLINOIS] FED. AID PROJECT				
* 7978 (OLD US 36) & 7968 (CAMP BUTLER RD.)				
** 3R(BR, BR-1, BR-2), 19RS-8				



(#48)

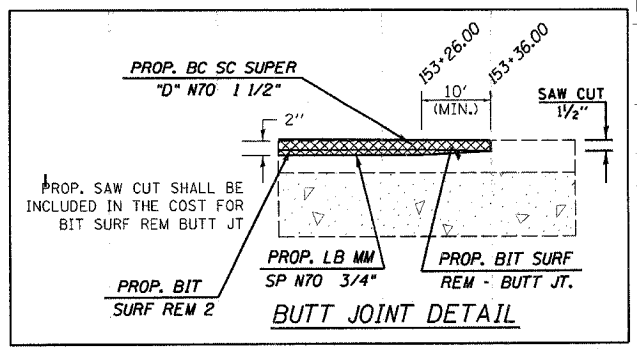
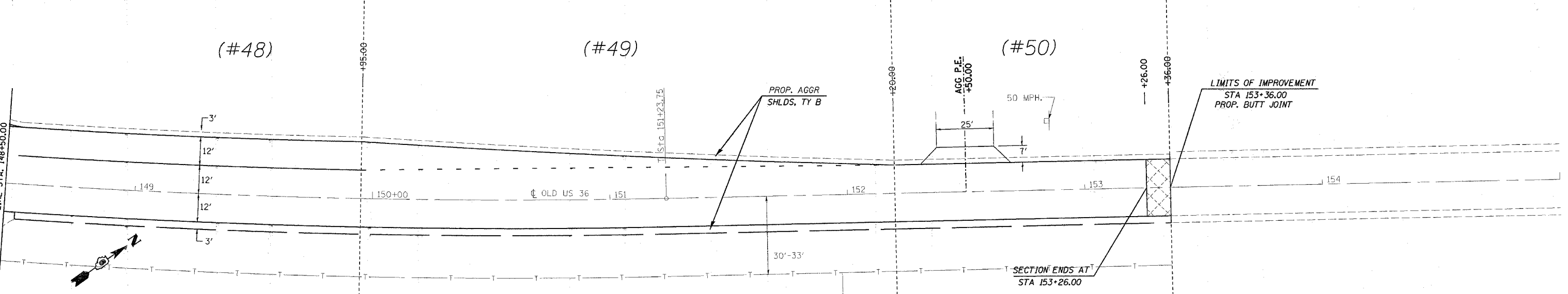


(#47)

(#48)

(#49)

(#50)



REVISIONS	
NAME	DATE

ILLINOIS DEPARTMENT OF TRANSPORTATION
PLAN VIEW
 F.A.U. Route 7978 (OLD US 36) &
 F.A.U. Route 7968 (CAMP BUTLER RD.)
 Section 3R(BR, BR-1, BR-2), 19RS-8
 SANGAMON COUNTY
 VERT. SCALE: 1" = 10'
 HORIZ. SCALE: 1" = 40'
 DATE: AUGUST 9, 2005
 DRAWN BY: JWC
 CHECKED BY: RSC

PLOT DATE = 11/2/2005
 FILE NAME = c:\p\0205\shp\plane080535.dgn
 PLOT SCALE = 20,00000 1/1 IN.
 USER NAME = coxjm