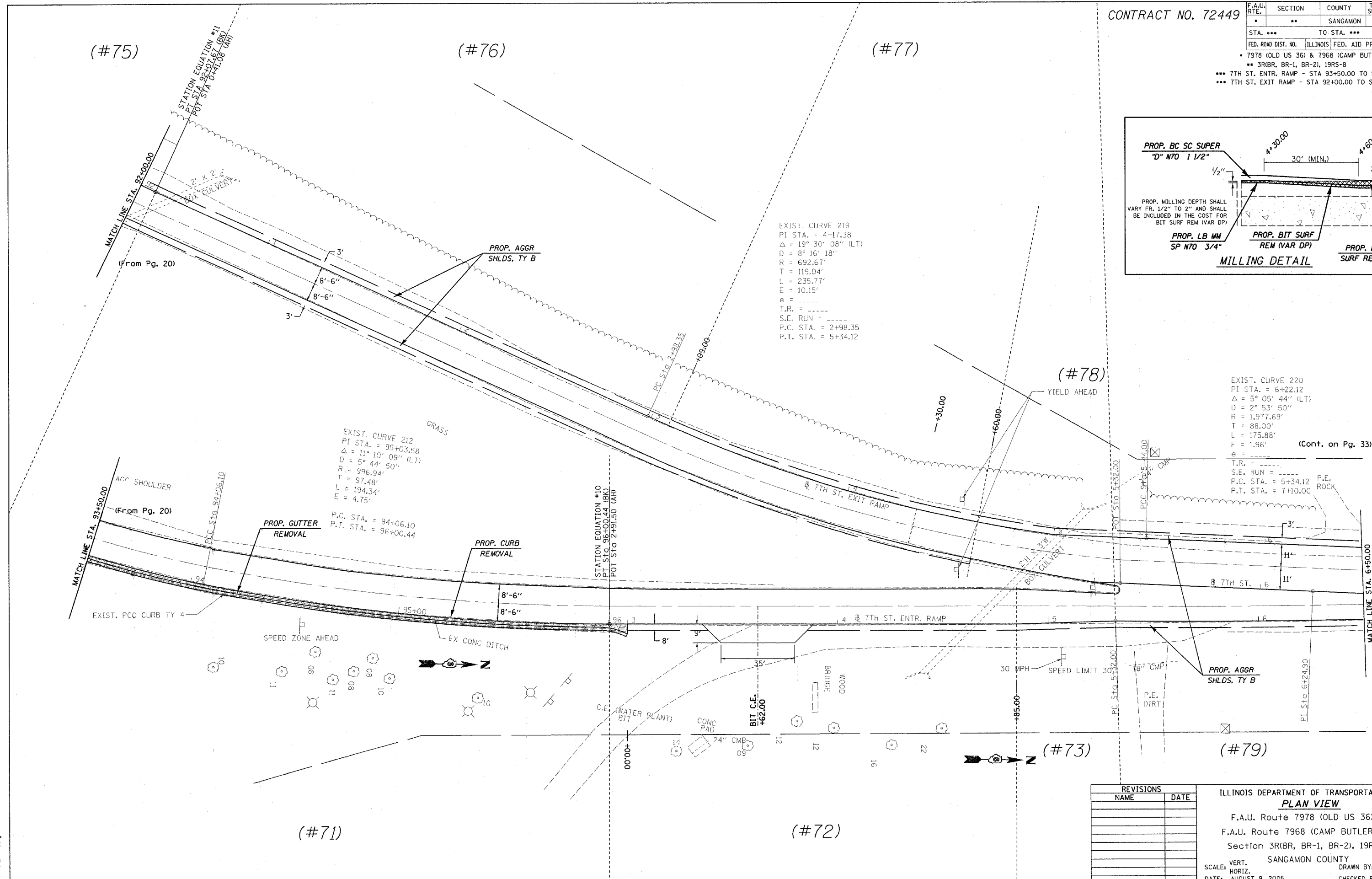
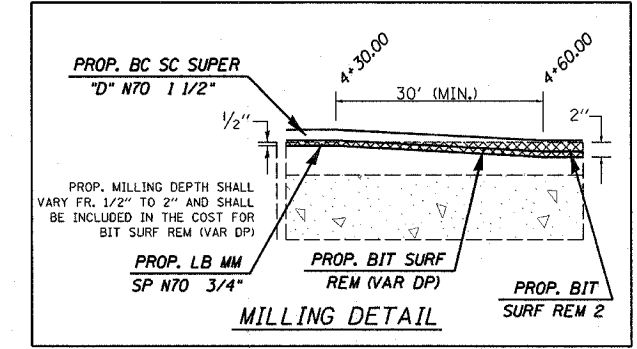


CONTRACT NO. 72449

F.A.U. RTE.	SECTION	COUNTY	TOTAL SHEETS	SHEET NO.
•	••	SANGAMON	261	88
STA. ***		TO STA. ***		
FED. ROAD DIST. NO. ILLINOIS FED. AID PROJECT				
• 7978 (OLD US 36) & 7968 (CAMP BUTLER RD.)				
•• 3R(BR, BR-1, BR-2), 19RS-8				
••• 7TH ST. ENTR. RAMP - STA 93+50.00 TO STA 6+50.00				
•••• 7TH ST. EXIT RAMP - STA 92+00.00 TO STA 6+50.00				



EXIST. CURVE 219  
 PI STA. = 4+17.38  
 $\Delta = 19^\circ 30' 08''$  (LT)  
 $D = 8^\circ 16' 18''$   
 $R = 692.67'$   
 $T = 119.04'$   
 $L = 235.77'$   
 $E = 10.15'$   
 $e =$  -----  
 T.R. = -----  
 S.E. RUN = -----  
 P.C. STA. = 2+98.35  
 P.T. STA. = 5+34.12

EXIST. CURVE 212  
 PI STA. = 95+03.58  
 $\Delta = 11^\circ 10' 09''$  (LT)  
 $D = 5^\circ 44' 50''$   
 $R = 996.94'$   
 $T = 97.48'$   
 $L = 194.34'$   
 $E = 4.75'$   
 $e =$  -----  
 T.R. = -----  
 S.E. RUN = -----  
 P.C. STA. = 94+06.10  
 P.T. STA. = 96+00.44

EXIST. CURVE 220  
 PI STA. = 6+22.12  
 $\Delta = 5^\circ 05' 44''$  (LT)  
 $D = 2^\circ 53' 50''$   
 $R = 1,977.69'$   
 $T = 88.00'$   
 $L = 175.88'$   
 $E = 1.96'$   
 $e =$  -----  
 T.R. = -----  
 S.E. RUN = -----  
 P.C. STA. = 5+34.12  
 P.T. STA. = 7+10.00

(Cont. on Pg. 33)

REVISIONS	
NAME	DATE

ILLINOIS DEPARTMENT OF TRANSPORTATION  
**PLAN VIEW**  
 F.A.U. Route 7978 (OLD US 36) &  
 F.A.U. Route 7968 (CAMP BUTLER RD.)  
 Section 3R(BR, BR-1, BR-2), 19RS-8  
 SANGAMON COUNTY  
 SCALE: VERT. \_\_\_\_\_ HORIZ. \_\_\_\_\_ DRAWN BY: JWC  
 DATE: AUGUST 9, 2005 CHECKED BY: RSC

**(7TH ST. ENT./EXIT RAMP)**

PLOT DATE = 11/27/2005  
 FILE NAME = c:\projects\72449\72449.dgn  
 PLOT SCALE = 20.0000' / 1" IN.  
 USER NAME = cckj

shtplan-00238.dgn  
 Chain R002